

HI2200 SERIES DATA SHEET



Type	Frame Depth (inches)	Series	Model Code	Glazing*	Missile		Design Pressure (psf)		Water (psf)	Test Size (inches)
					Large	Small	Pos (+)	Neg (-)		
Double Hung Side Load	4	HI2200	HI2203	Single Lami	✓	Meets	45	65	9.75	48 x 102
Double Hung Side Load	4	HI2200	HI2204	Single Lami & 1/16" Insulated Lami	✓	Meets	70	100	10.5	48 x 72
E-port Double Hung Fixed	4	HI2200	HI2205	7/8" Insulated Lami	✓	Meets	43	61	9.0	36 x 97

*Additional glazing and test configurations may be available – contact Graham.

STANDARD FEATURES

- Provides large missile impact protection
- Offers passive protection from wind-borne debris without shutters!
- Thermally broken frame and sash for superior energy savings
- Utilizes durable white bronze sweep-lock hardware
- Sash easily removes from frame for maintenance & cleaning
- Mulls to fixed and operable products of the same frame depth
- Removable take-out clips to prevent unauthorized sash removal
- Full-length extruded lift handles
- Putty bead sash with historic grids available on models 2203, 2204, & 2205

INSTALLATION METHODS

- Pre-set panning
- Trim & clip
- Wraparound panning
- Receptor & subsill

OPTIONAL FEATURES

- Fixed double-hung replication style available – model 2205
- Blast resistant
- Self-balancing Class 5 balances
- Full range of interior and exterior muntin grids available, including historic



TESTED TO: ASTM E1886, ASTM E1996 AND/OR TAS 201, TAS 202, TAS 203

Window series: HI2200 Double Hung — General Specifications & Details

- **Materials:**
All frame and sash sections shall be thermally broken extruded aluminum shapes produced from commercial quality 6063-T6 alloy
- **Hardware:**
Class 5 or block & tackle balances for easiest sash operation – even on largest sizes
White bronze sweep locks for strength and extra durability
Internal putty bead sash & fixed flites
Tested to impact performance standards
- **Finish Options:**
AAMA 2603, 2604, & 2605, as well as powder coat and anodized finishes, are all available in a wide range of colors
- **Accessories:**
Wide range of panning & trim options available

HI2203 FEATURES

- Double hung
- Thermal-break frame & sash
- Single-glazed laminated glass
- Historic grid option
- Integral putty bead sash
- Large missile +45/-65 DP performance

HI2204 FEATURES

- Double hung
- Thermal-break frame & sash
- Insulating laminated glass
- Integral putty bead sash
- Large missile +45/-65 DP performance

HI2205 FEATURES

- Fixed replication double-hung
- Thermal-break frame & sash
- Insulating laminated glass
- Historic grid option
- Integral putty bead sash
- Large missile +43/-61 DP performance

Our products are tested to the standards of and certified by the American Architectural Manufacturer's Association and the National Fenestration Rating Council.



Hurricane Impact – 4” Double Hung (Large Missile)

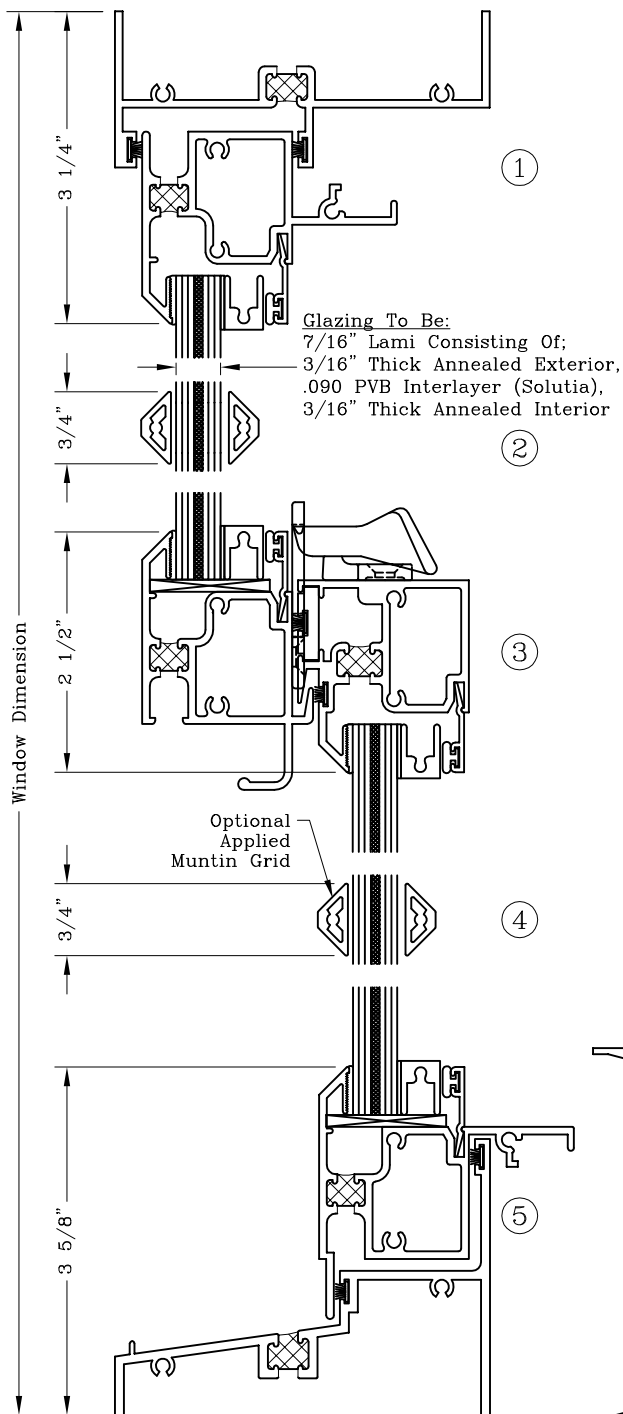


Series: HI2200

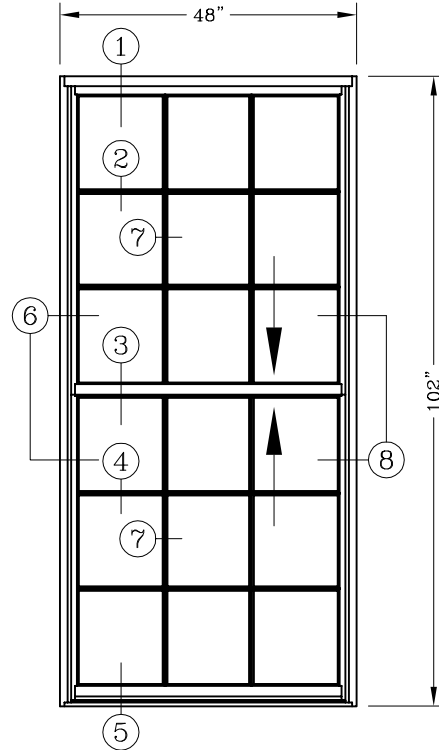
Manufacturing Code: HI2203

Drawing 1/2 Scale – For Custom Size Drawing Contact Graham

Note: Sealant Not Shown On Details. Consult Technical Services At Factory For Sealing Procedures.
For Other Blast Pressures And GSA Levels Contact Factory



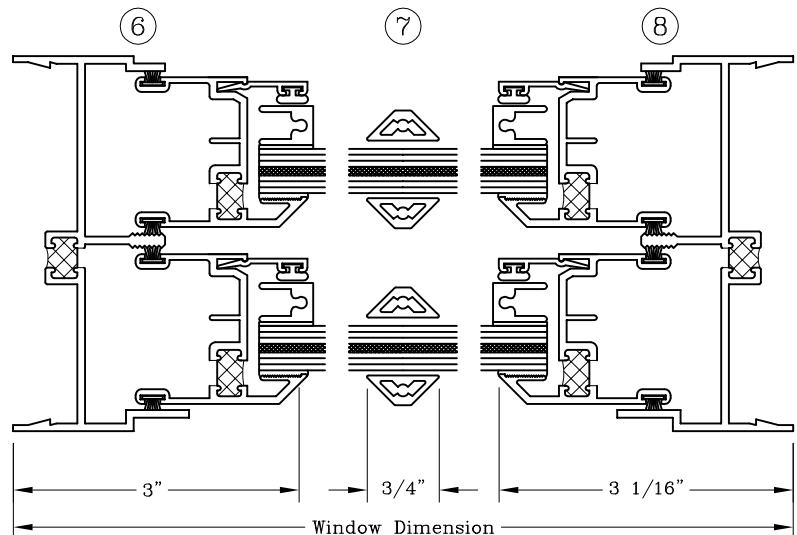
Glazing To Be:
7/16" Lami Consisting Of;
3/16" Thick Annealed Exterior,
.090 PVB Interlayer (Solutia),
3/16" Thick Annealed Interior



ELEVATION
48" x 102" Tested

INSTALLATION TYPES

1. Pre-Set Panning And Trim Clip
2. Receptor At Head And Jamb, And Sill Starter
(Reference Test Report #82093.02-109-44)



Hurricane Impact – 4” Double Hung (Large Missile)

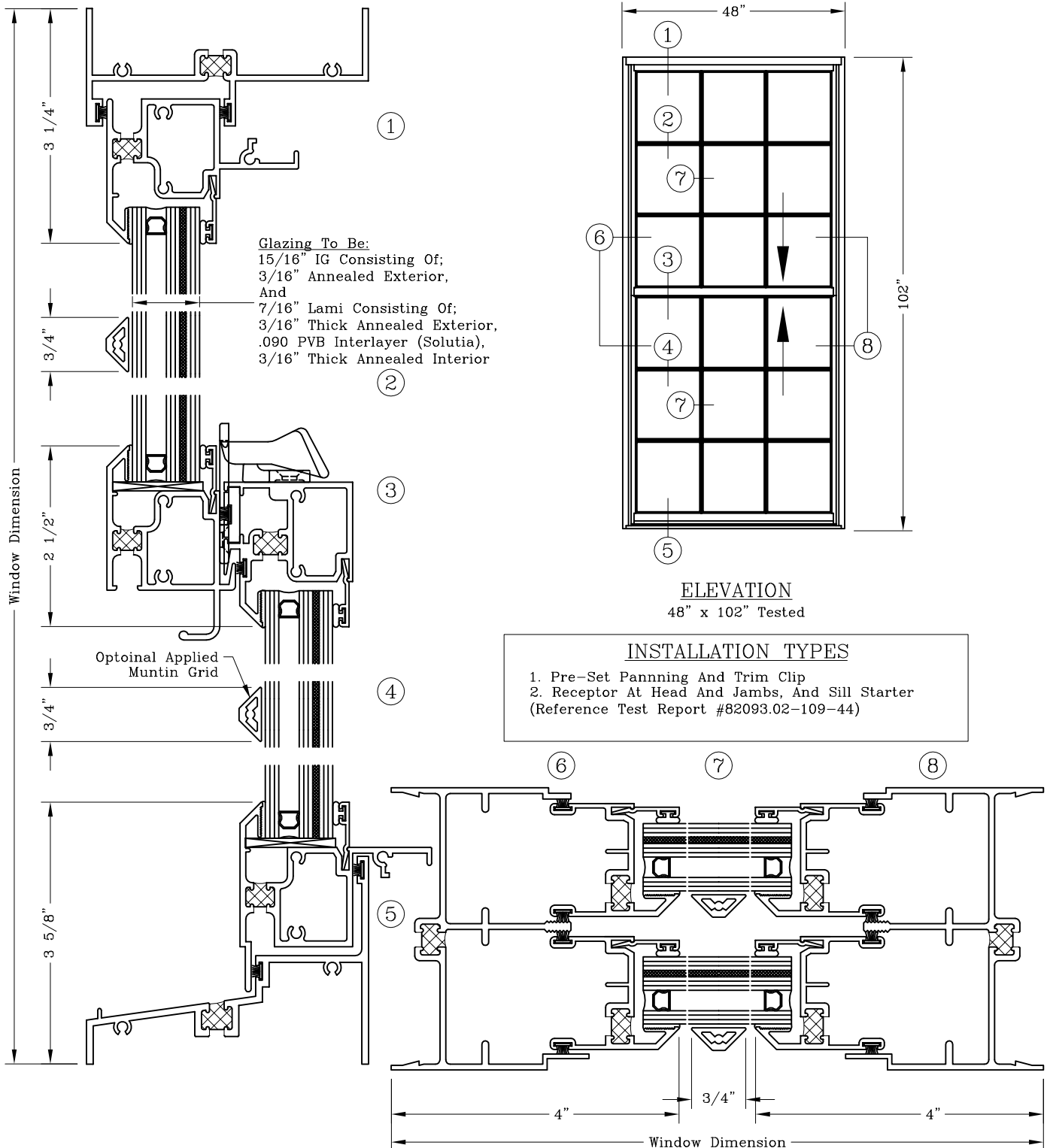


Series: HI2200

Manufacturing Code: HI2204

Drawing 1/2 Scale – For Custom Size Drawing Contact Graham

Note: Sealant Not Shown On Details. Consult Technical Services At Factory For Sealing Procedures.
For Other Blast Pressures And GSA Levels Contact Factory



Hurricane Impact – 4” Fixed Double Hung Replication (Large Missile)

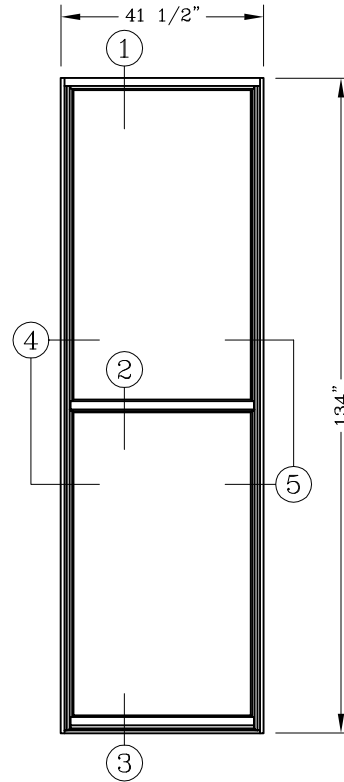
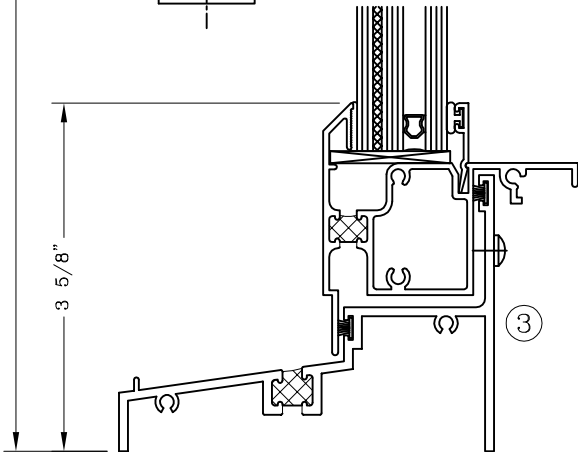
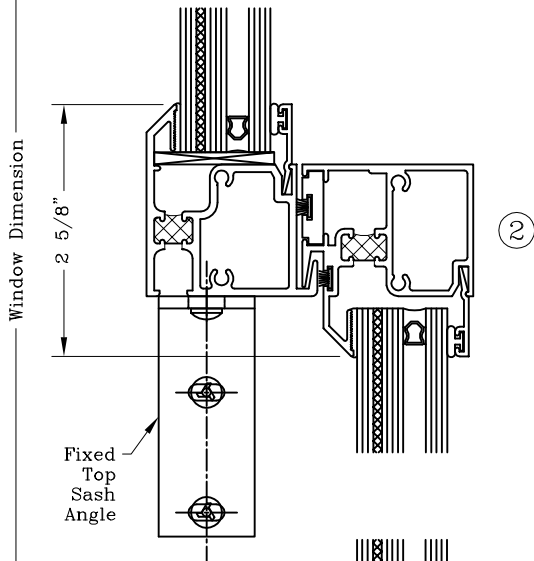
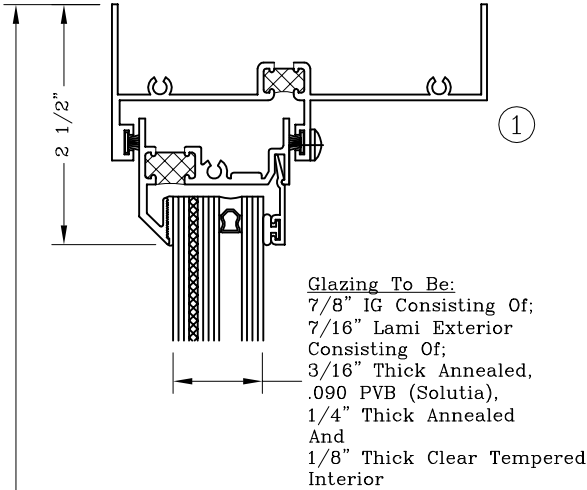


Series: HI2200

Manufacturing Code: HI2205

Drawing 1/2 Scale – For Custom Size Drawing Contact Graham

Note: Sealant Not Shown On Details. Consult Technical Services At Factory For Sealing Procedures.



ELEVATION
41 1/2" x 134" Tested

INSTALLATION TYPES

1. Trim And Clip
(Reference Test Report #54502.01-122-18)

