

HI2400 SERIES DATA SHEET



Type	Frame Depth (inches)	Series	Model Code	Glazing*	Missile		Design Pressure (psf)		Water (psf)	Test Size (inches)
					Large	Small	Pos (+)	Neg (-)		
Double Hung Acoustical	4½	HI2400	HI2401	Single Lami	✓	Meets	40	40	9	57 x 86
	5	HI2400	HI2402	Single Lami	✓	Meets	60	60	9	48 x 72

*Additional glazing and test configurations may be available – contact Graham.

STANDARD FEATURES

- Double-hung acoustical windows for hurricane-impact resistance
- Provides large missile impact protection
- Offers passive protection from wind-borne debris without shutters!
- Thermally broken frame and sash for superior energy savings
- Block & tackle balances for superior operation
- Utilizes durable white bronze sweep-lock hardware
- Full-length extruded lift handles

INSTALLATION METHODS

- Pre-set panning
- Trim & clip
- Wraparound panning
- Receptor & subsill
- Through-frame anchors at head and jambs; trim and clip at sill

OPTIONAL FEATURES

- Aluminum sill & head latches
- High-performance energy-efficient options available
- Applied flat-stock grid

TESTED TO: ASTM E1886, ASTM E1996 AND/OR TAS 201, TAS 202, TAS 203



Window series: HI2400 Double Hung — General Specifications & Details

- **Materials:**
All frame and sash sections shall be thermally broken extruded aluminum shapes produced from commercial quality 6063-T6 alloy
- **Hardware:**
Block & tackle balances for easiest sash operation
White bronze sweep locks for strength and extra durability
Tested to impact performance standards
- **Finish Options:**
AAMA 2603, 2604, & 2605, as well as powder coat and anodized finishes, are all available in a wide range of colors
- **Accessories:**
Wide range of panning & trim options available

HI2401 FEATURES

- Double hung dual acoustical
- Thermal-break frame
- Single-glazed laminated glass
- Large missile +40/-40 DP performance
- Model HI2402; large missiles +60/-60 DP performance

Our products are tested to the standards of and certified by the American Architectural Manufacturer's Association and the National Fenestration Rating Council.



Hurricane Impact – 4 1/2” 4-Track Double Hung (Large Missile)

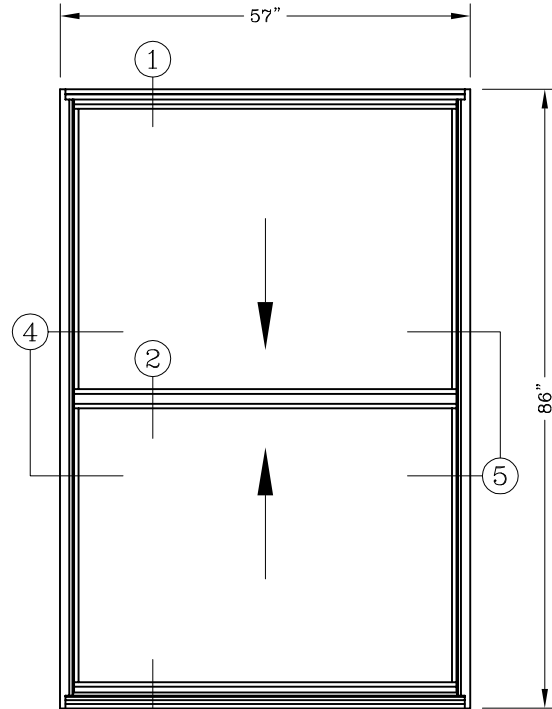
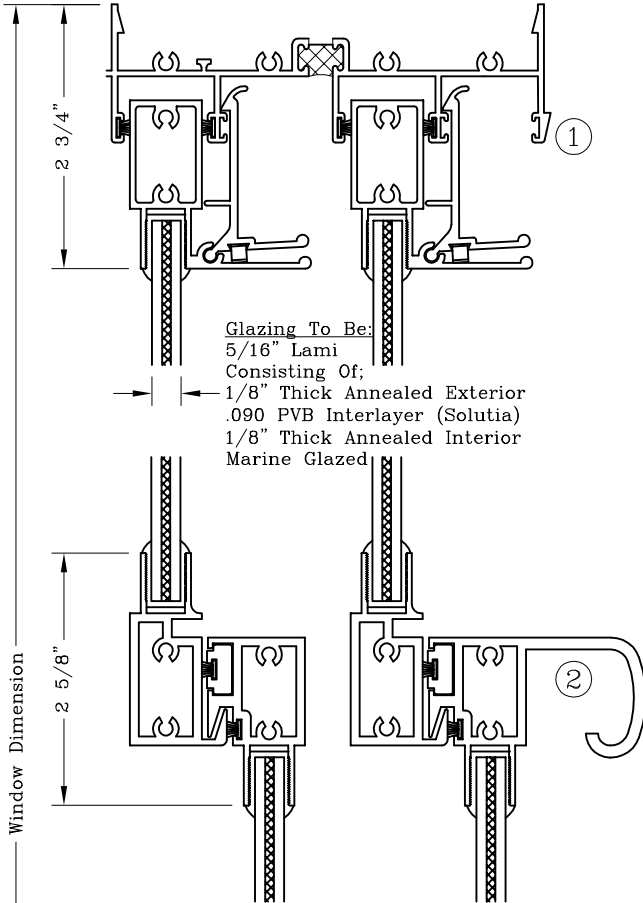


Series: HI2400

Manufacturing Code: HI2401

Drawing 1/2 Scale – For Custom Size Drawing Contact Graham

Note: Sealant Not Shown On Details. Consult Technical Services At Factory For Sealing Procedures.

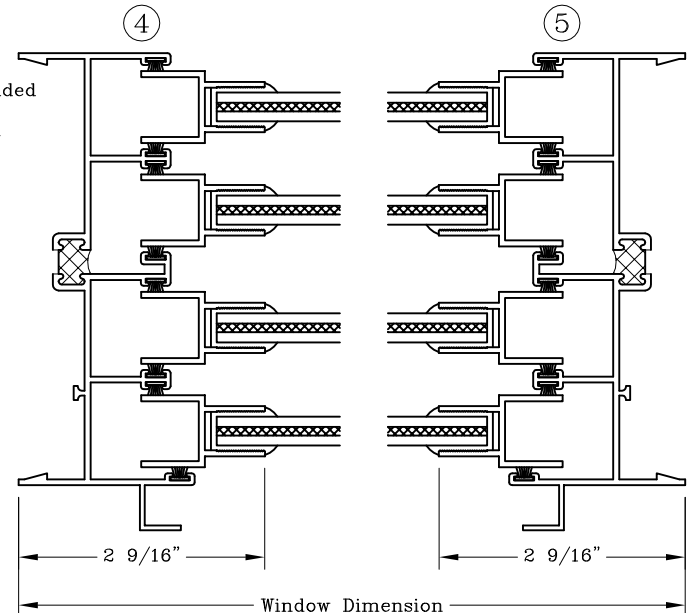
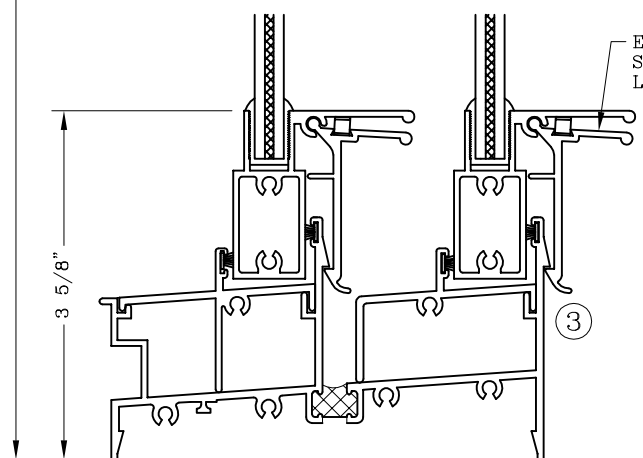


3 ELEVATION

57" x 86" Tested

INSTALLATION TYPES

1. Through Frame Anchors At Head And Jambs.
 2. Trim Clip Across Sill.
- (Reference Test Report #01-50301)



Hurricane Impact – 5” 4-Track Double Hung (Large Missile)



Series: HI2400

Manufacturing Code: HI2402

Drawing 1/2 Scale – For Custom Size Drawing Contact Graham

Note: Sealant Not Shown On Details. Consult Technical Services At Factory For Sealing Procedures.

