

Preset Panning Contoured



Series: Accessories Manufacturing Code: PPN03

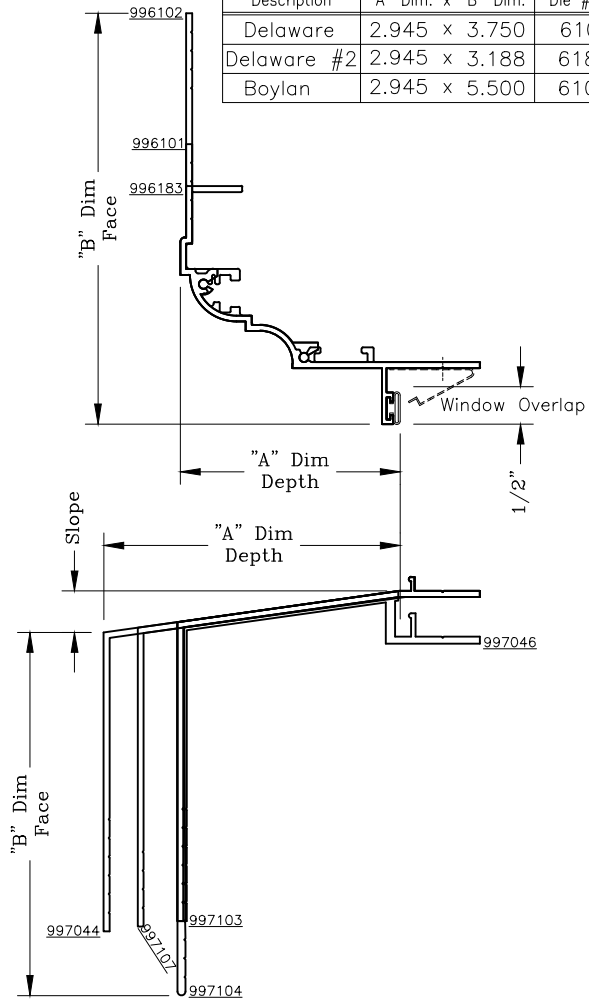
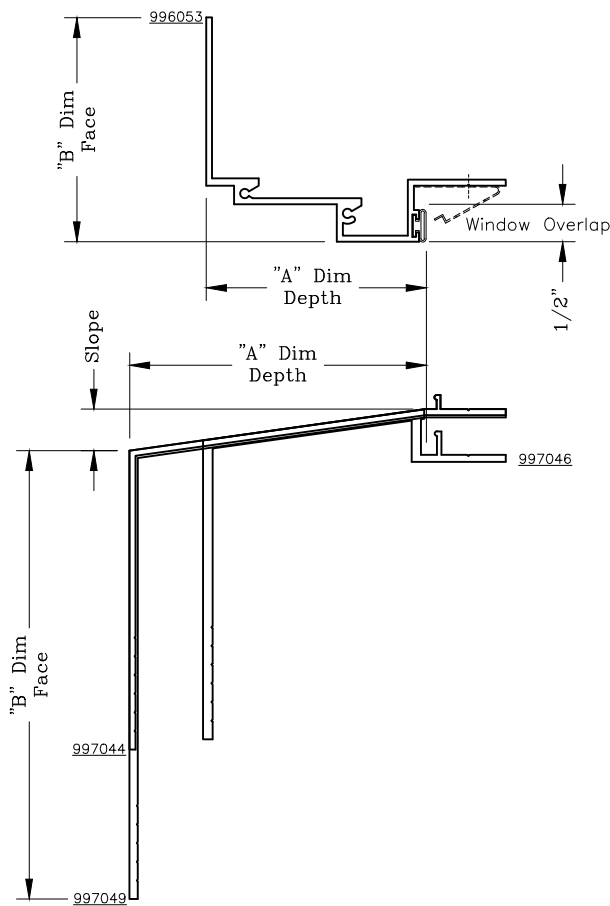
Drawing 1/2 Scale – For Custom Size Drawing Contact Graham

Note: Sealant Not Shown On Details. Refer To General Installation Instructions.

Note: Pre-Set Panning Requires The Use Of Equal Leg Sill On Window
Some Pre-Set Panning Require The Use Of Mechanical Corner Keys For
Mitered Assembly. Reference Sheet PPN.CK For Representative Corner Detail.

William Penn Pre-Set Panning Head And Jamb			
Description	"A" Dim. x "B" Dim.	Extrusion Die #99	Slope =
William Penn #3	2.944 x 3.000	6053	None

Delaware/Delaware #2/Boylan Pre-Set Panning Head And Jamb			
Description	"A" Dim. x "B" Dim.	Extrusion Die #99	Slope =
Delaware	2.945 x 3.750	6101	None
Delaware #2	2.945 x 3.188	6183	
Boylan	2.945 x 5.500	6102	None



William Penn Pre-Set Panning Mating Sill			
Description	"A" Dim. x "B" Dim.	Extrusion Die #99	Slope =
#3-4S	3.969 x 4.000	7044	.556
#3-6S	3.959 x 6.000	7049	.556
Del.-4S	2.984 x 4.000	7046	.415

Delaware/Boylan Pre-Set Panning Mating Sill			
Description	"A" Dim. x "B" Dim.	Extrusion Die #99	Slope =
Del.-4S	2.984 x 4.00	7103	.415
Del.-5S	2.984 x 5.00	7104	.415
Del.-4S	2.984 x 4.00	7046	.415
#3-4S	3.969 x 4.00	7044	.556
3.5x4.0	3.500 x 4.00	7107	.493

Graham Architectural Products reserves the right to change, add, cancel, remove or otherwise modify the details illustrated without prior notice.

1551 Mt. Rose Avenue, York, Pennsylvania 17403-2909 717.849.8100 Toll Free: 800/755-6274

0823 – PPN.03

Web Site: www.grahamwindows.com