

# Sliding Glass Door - 4"

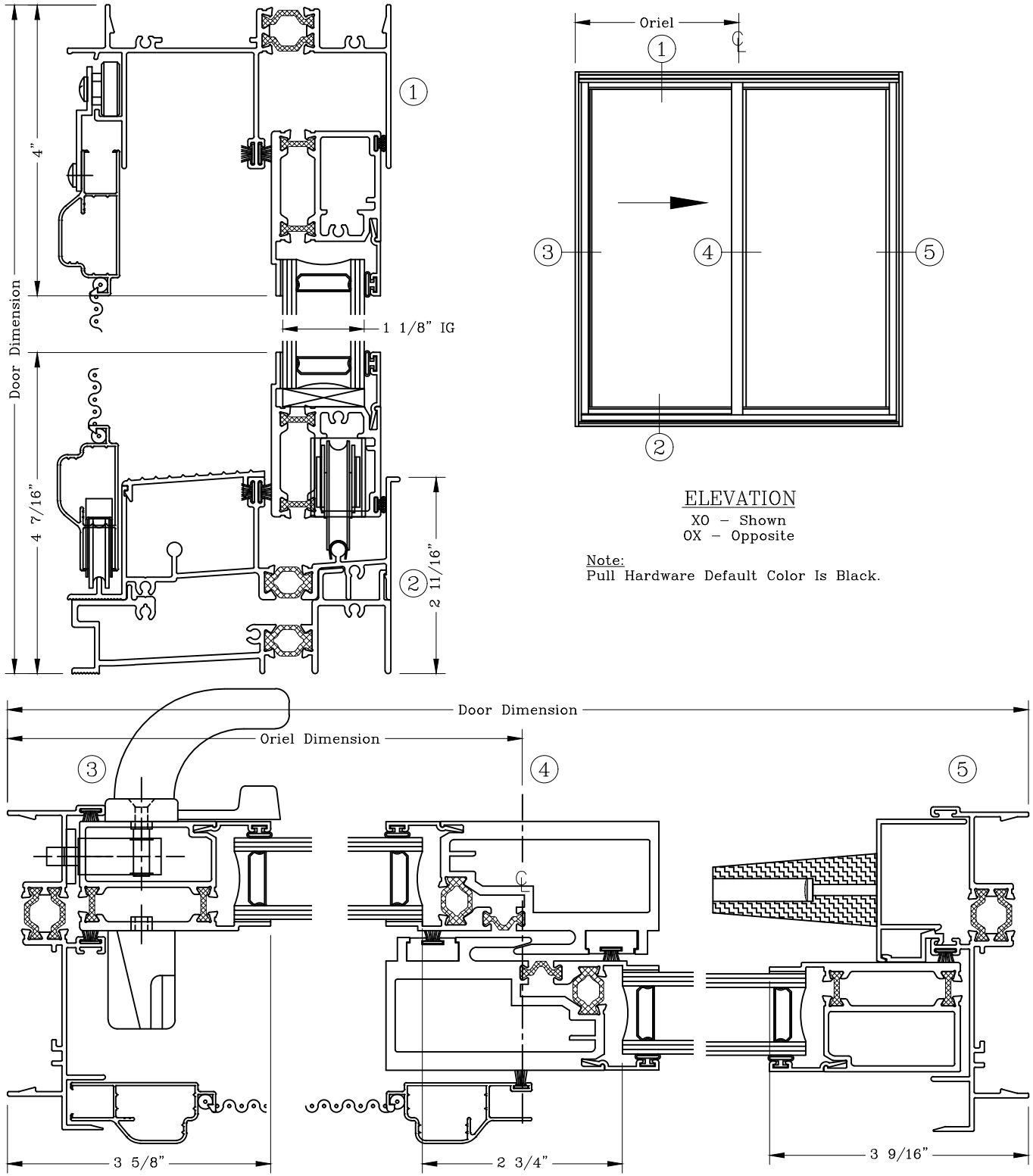


Series: S0900

Manufacturing Code: S0901

Drawing 1/2 Scale - For Custom Size Drawing Contact Graham

Note: Sealant Not Shown On Details. Consult Technical Services At Factory For Sealing Procedures.



**ELEVATION**

XO - Shown  
OX - Opposite

Note:  
Pull Hardware Default Color Is Black.

Graham Architectural Products reserves the right to change, add, cancel, remove or otherwise modify the details illustrated without prior notice.

1551 Mt. Rose Avenue, York, Pennsylvania 17403-2909 800/755-6274 Fax: 800/366-5097

Web Site: [www.grahamwindows.com](http://www.grahamwindows.com)

0522 - S09.01

# Sliding Glass Door - 4"

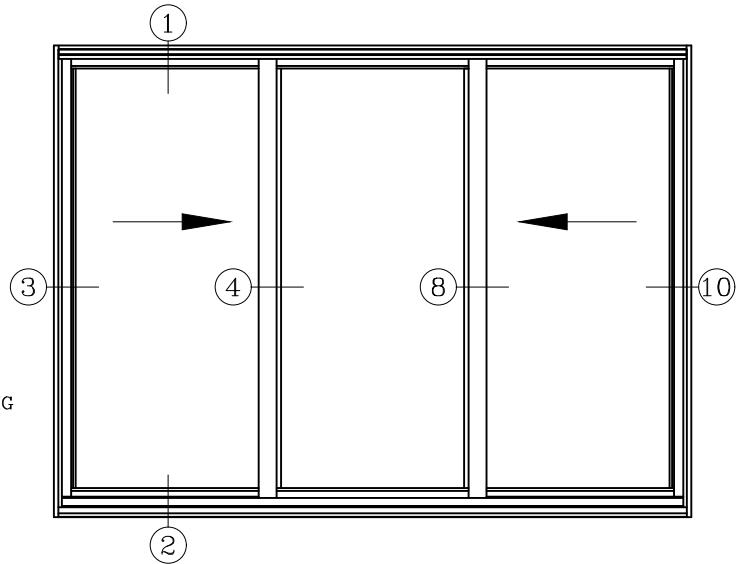
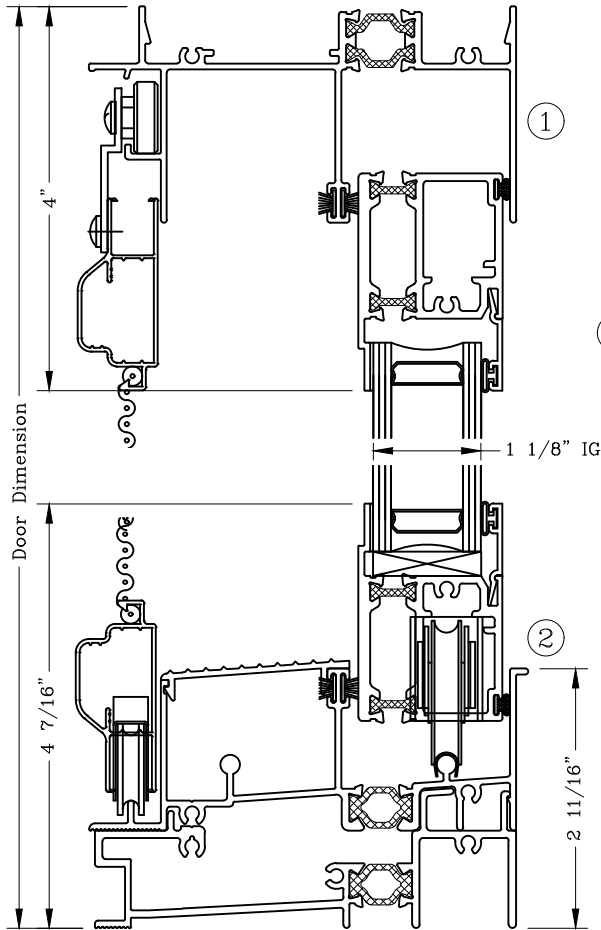


Series: S0900

Manufacturing Code: S0902

Drawing 1/2 Scale - For Custom Size Drawing Contact Graham

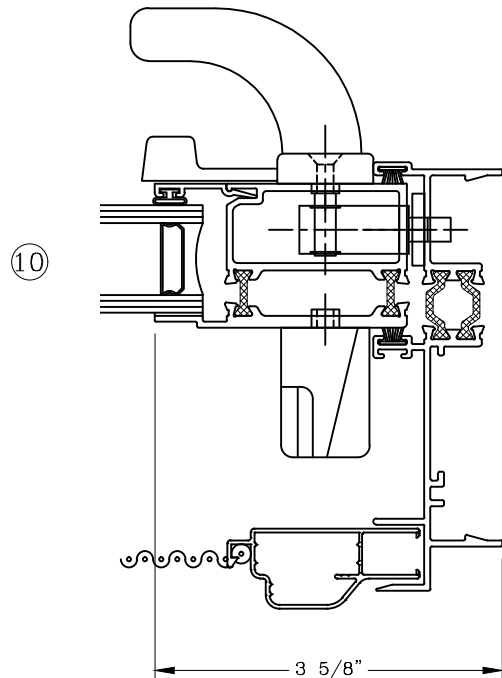
Note: Sealant Not Shown On Details. Refer To General Installation Instructions At Factory For Sealing Procedures.



ELEVATION  
XOX

Note:

1. Reference Page S09.01 For Details #3, and #4.
2. Reference Page S09.04 For Details #8.
3. Pull Hardware Default Color Is Black.



Graham Architectural Products reserves the right to change, add, cancel, remove or otherwise modify the details illustrated without prior notice.

1551 Mt. Rose Avenue, York, Pennsylvania 17403-2909 800/755-6274 Fax: 800/366-5097

Web Site: [www.grahamwindows.com](http://www.grahamwindows.com)

0522 - S09.02

# Sliding Glass Door - 4"

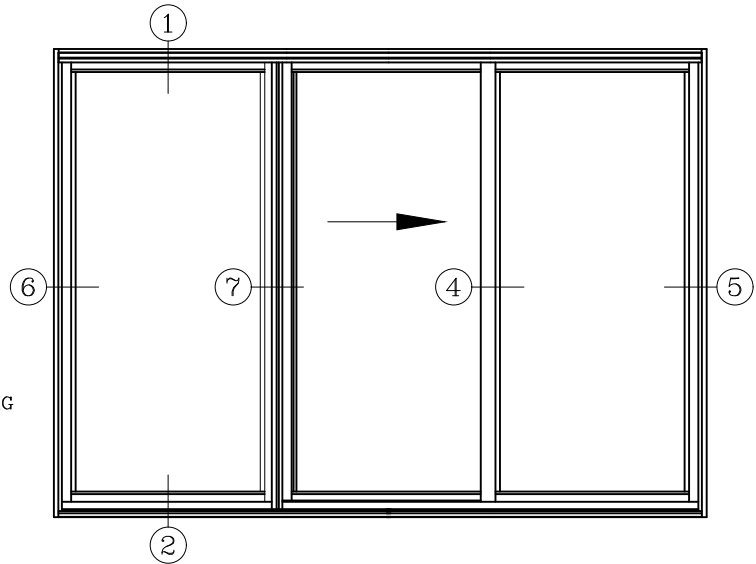
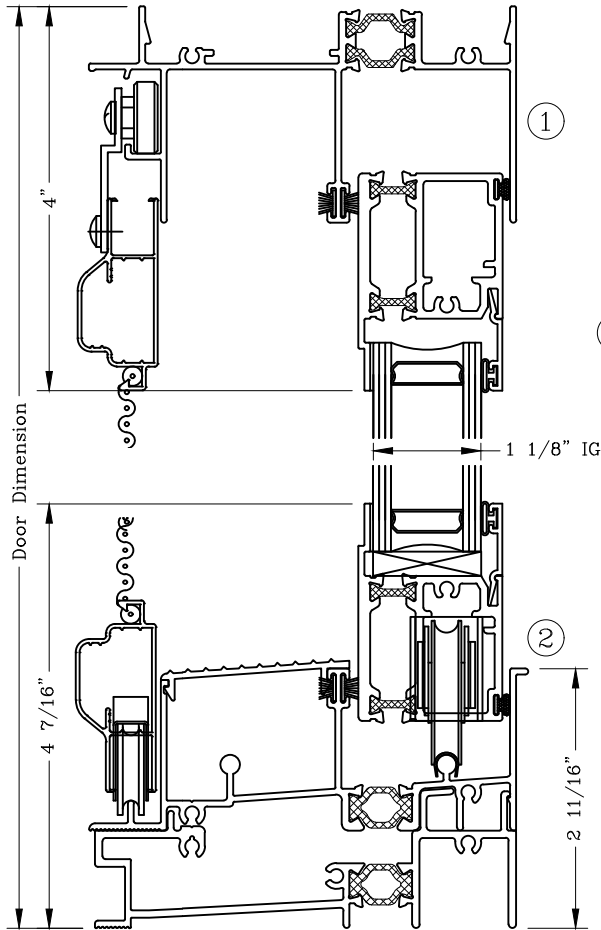


Series: S0900

Manufacturing Code: S0903

Drawing 1/2 Scale - For Custom Size Drawing Contact Graham

Note: Sealant Not Shown On Details. Refer To General Installation Instructions At Factory For Sealing Procedures.

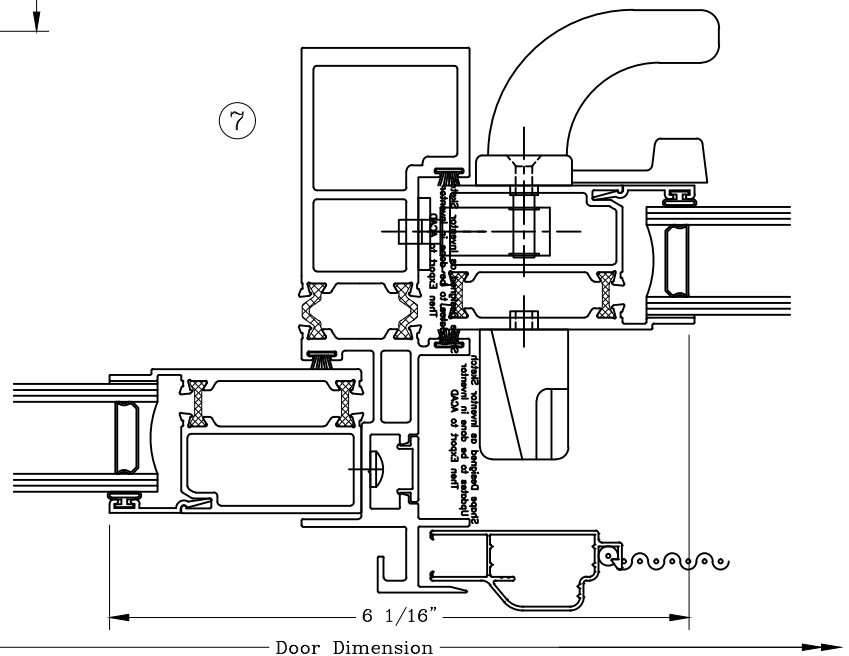
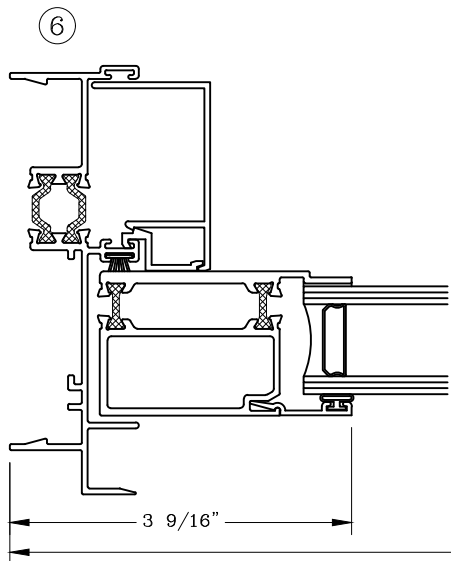


### ELEVATION

OXO - Shown w/ Panel Sliding Right  
 OXO - Opposite w/ Panel Sliding Left

**Note:**

1. Reference Page S09.01 For Details #4, and #5.
2. Pull Hardware Default Color Is Black.



Graham Architectural Products reserves the right to change, add, cancel, remove or otherwise modify the details illustrated without prior notice.

1551 Mt. Rose Avenue, York, Pennsylvania 17403-2909 800/755-6274 Fax: 800/366-5097

Web Site: [www.grahamwindows.com](http://www.grahamwindows.com)

0522 - S09.03

# Sliding Glass Door - 4"

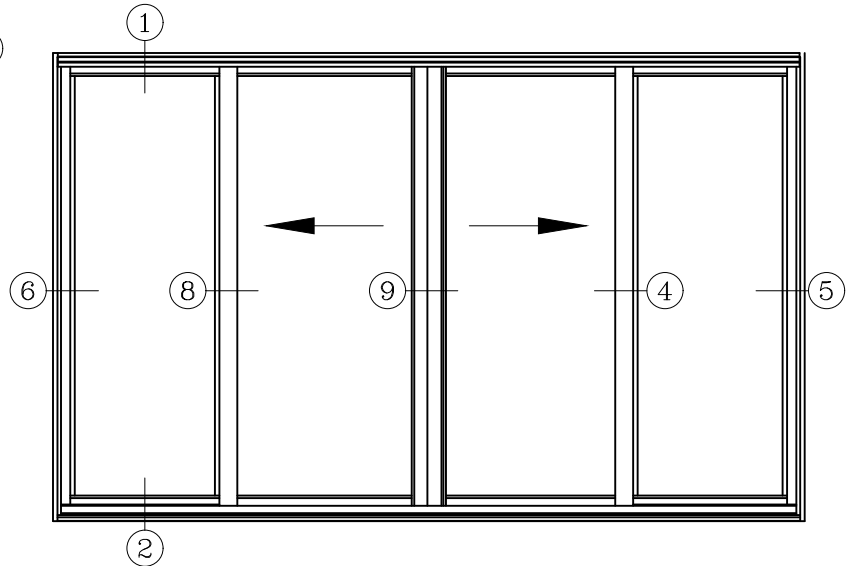
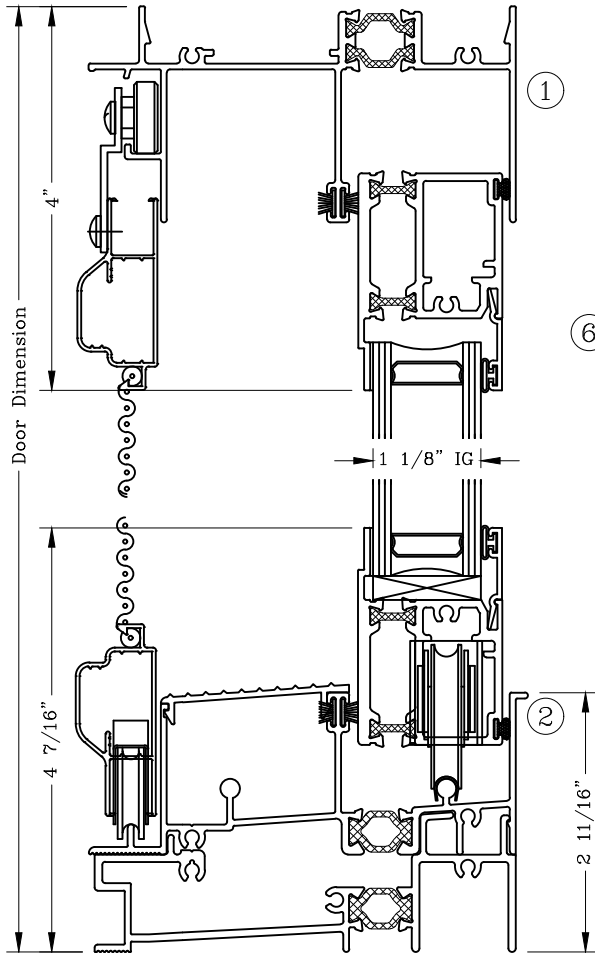


Series: S0900

Manufacturing Code: S0904

Drawing 1/2 Scale - For Custom Size Drawing Contact Graham

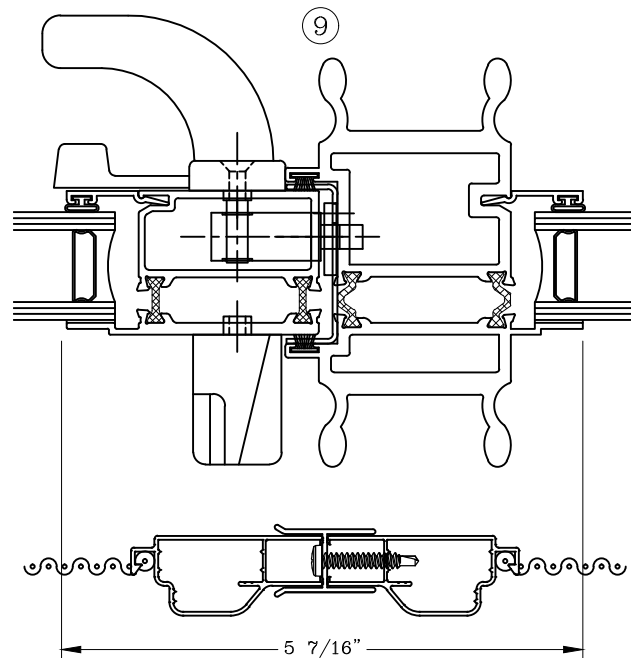
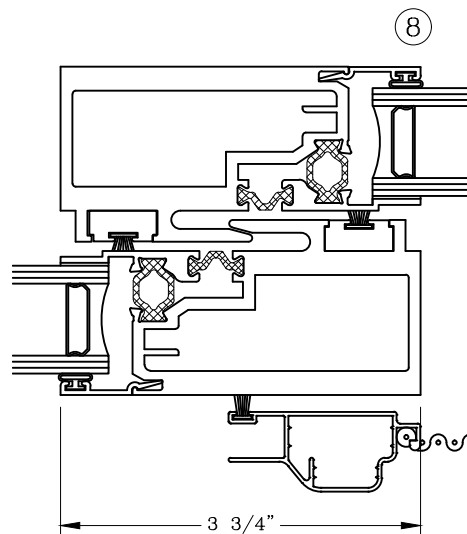
Note: Sealant Not Shown On Details. Refer To General Details At Factory For Sealing Procedures.



ELEVATION  
OXXO

Note:

1. Reference Page S09.01 For Details #4, and #5.
2. Reference Page S09.03 For Details #6.
3. Pull Hardware Default Color Is Black.



Graham Architectural Products reserves the right to change, add, cancel, remove or otherwise modify the details illustrated without prior notice.

1551 Mt. Rose Avenue, York, Pennsylvania 17403-2909 800/755-6274 Fax: 800/366-5097

0522 - S09.04

Web Site: [www.grahamwindows.com](http://www.grahamwindows.com)

# Sliding Glass Door - 4" Head Options

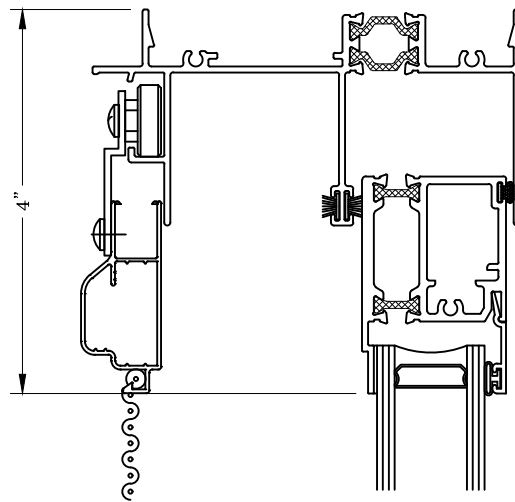


Series: S0900

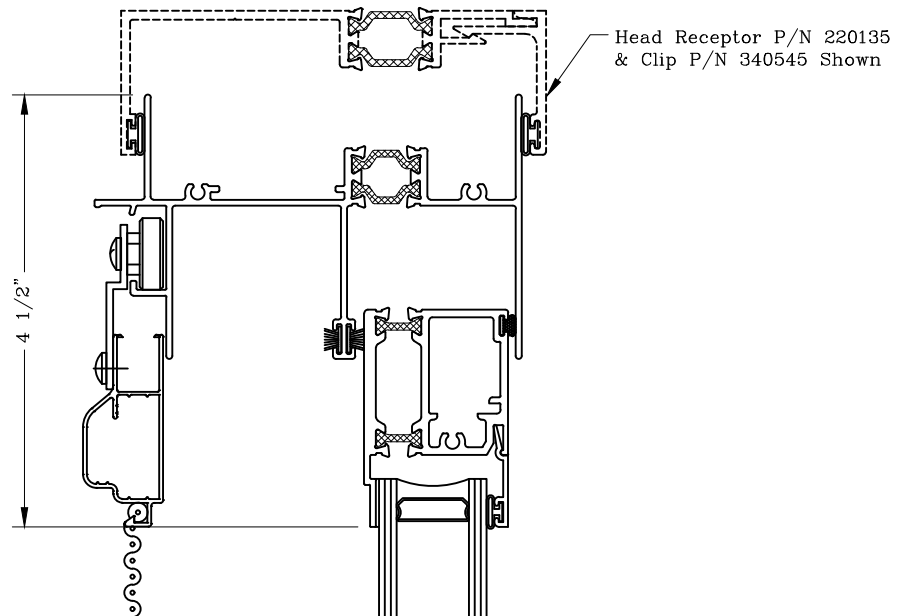
Manufacturing Code: S0907

Drawing 1/2 Scale - For Custom Size Drawing Contact Graham

Note: Sealant Not Shown On Details. Refer To General Installation Instructions For Sealing Procedures.



Standard Frame Head  
P/N 090315



Optional Frame Head For  
Receptor Applications  
P/N 090316

Graham Architectural Products reserves the right to change, add, cancel, remove or otherwise modify the details illustrated without prior notice.

1551 Mt. Rose Avenue, York, Pennsylvania 17403-2909 800/755-6274 Fax: 800/366-5097

Web Site: [www.grahamwindows.com](http://www.grahamwindows.com)

0522 - S09.07

# Sliding Glass Door – 4” Frame Options

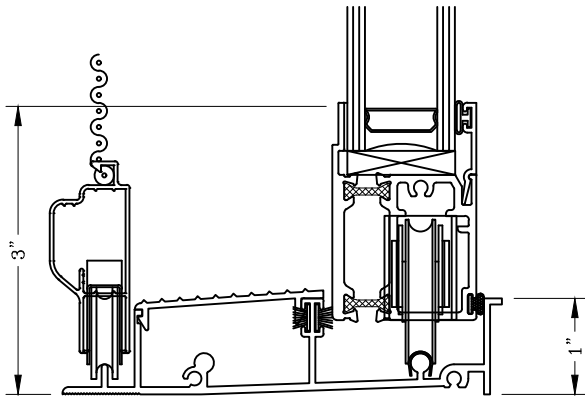


Series: S0900

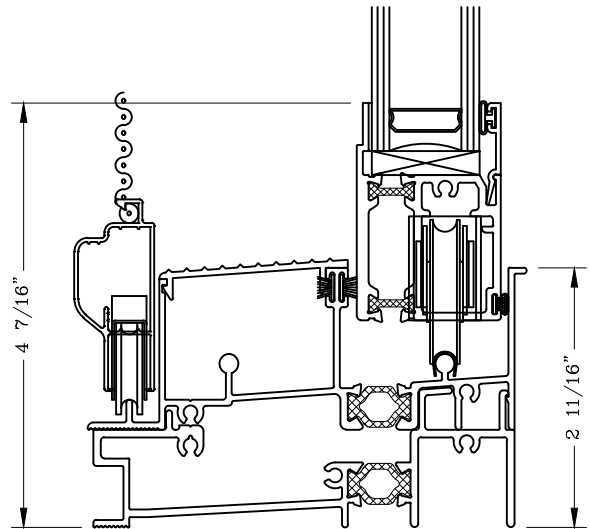
Manufacturing Code: S0910

Drawing 1/2 Scale – For Custom Size Drawing Contact Graham

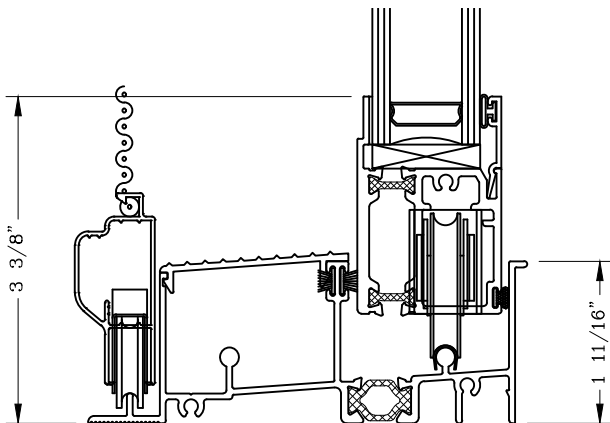
Note: Sealant Not Shown On Details. Refer To Technical Installation Instructions For Sealing Procedures.



Low Sill  
P/N 090025

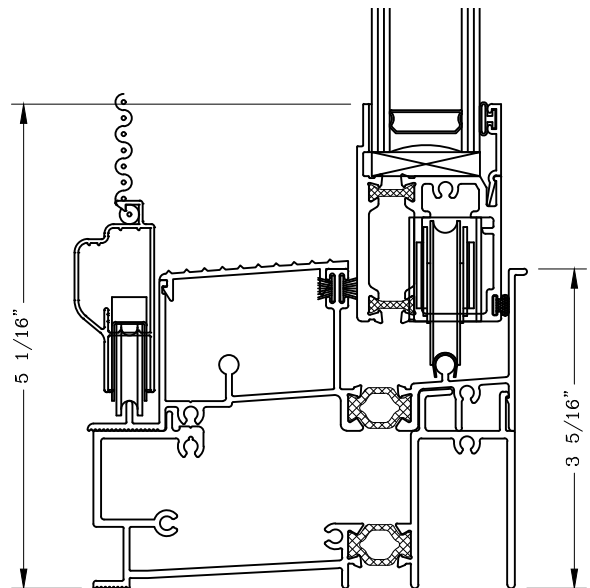


#10 WTP Sill  
P/N 090326



#5.00 WTP Sill  
P/N 090325

Note:  
Optional #5.00 WTP Sill Does Not Meet HC-50 Water  
Resistance Test.



#12 WTP Sill  
P/N 090327

Graham Architectural Products reserves the right to change, add, cancel, remove or otherwise modify the details illustrated without prior notice.

1551 Mt. Rose Avenue, York, Pennsylvania 17403-2909 800/755-6274 Fax: 800/366-5097

Web Site: [www.grahamwindows.com](http://www.grahamwindows.com)

0522 – S09.10

# Sliding Glass Door – 4” Interlock Options

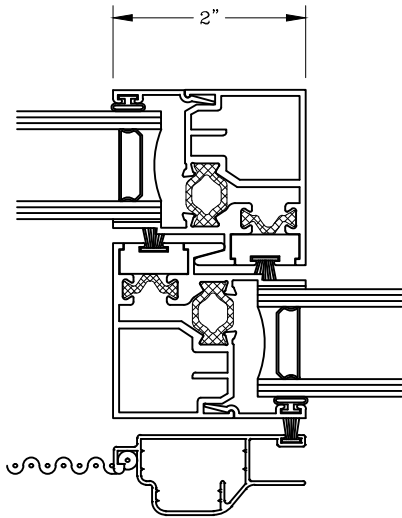


Series: S0900

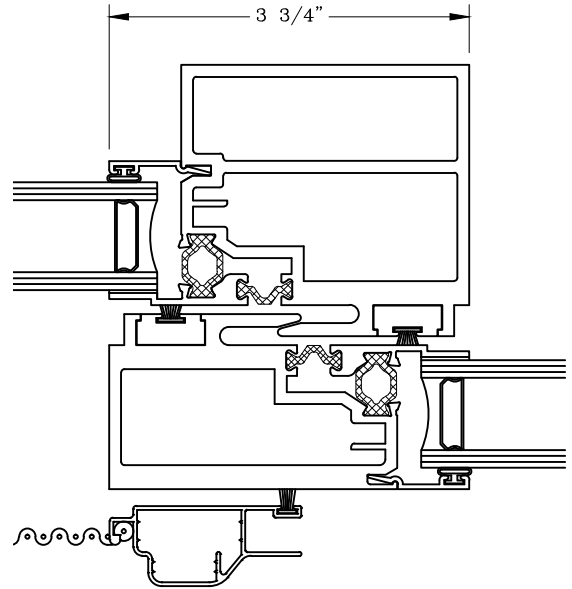
Manufacturing Code: S0911

Drawing 1/2 Scale – For Custom Size Drawing Contact Graham

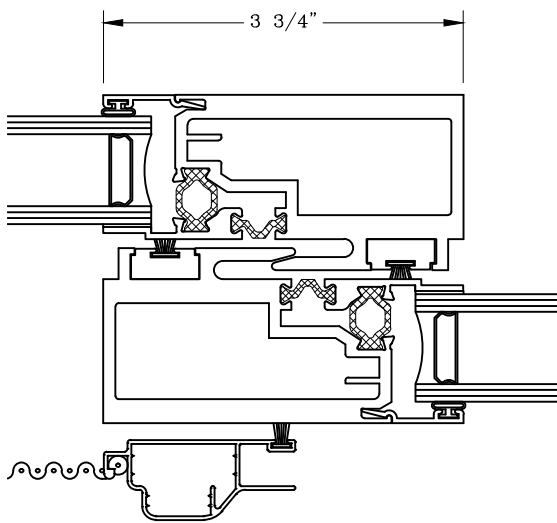
Note: Sealant Not Shown On Details. Refer To Technical Installation Instructions For Sealing Procedures.



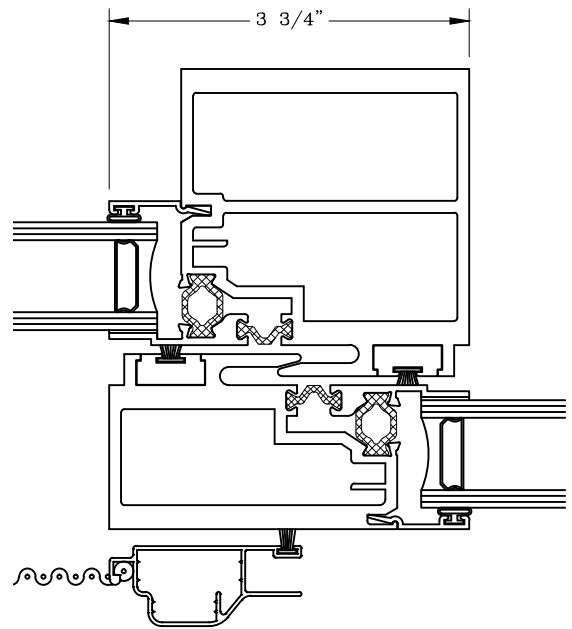
LC (Light Commercial)



AW-40 (Architectural Window)



CW (Commercial Window)



AW-60 (Architectural Window)

Graham Architectural Products reserves the right to change, add, cancel, remove or otherwise modify the details illustrated without prior notice.

1551 Mt. Rose Avenue, York, Pennsylvania 17403-2909 800/755-6274 Fax: 800/366-5097

0522 – S09.11

Web Site: [www.grahamwindows.com](http://www.grahamwindows.com)