

US8375 SERIES UNITIZED CURTAIN WALL DATA SHEET



US8375 SERIES QUICK VIEW:

The US8375 Series unitized curtain wall system was designed as a versatile, high performing solution for buildings that require superior performance and rapid installation.

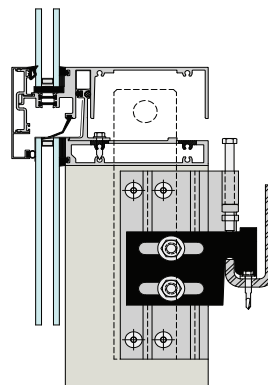
FEATURES

- Outside glazed
- 3" face width
- 8-³/₈" standard depth
- Captured or structurally glazed
- Integrated lifting/alignment brackets
- 1/4"-1-1/8" glazing infills
- 3/8" thermal separation
- Screw-spline construction

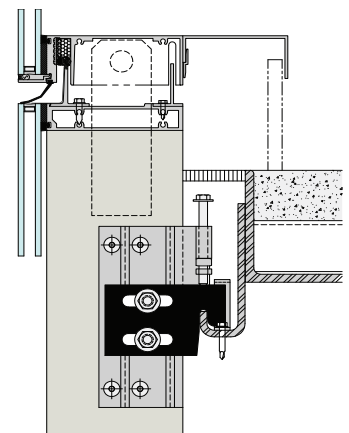
OPTIONAL FEATURES

- Zero sightline vents
- Sunshades and light shelves

US8375 C Details (Horizontal Section)



US8375 S Details (Horizontal Section)



AIR (cfm/ft ²) @ 6.24 psf	WATER (psf)	U-FACTOR (BTU/hr/ft ² /°F)
0.03	15	0.33 ¹

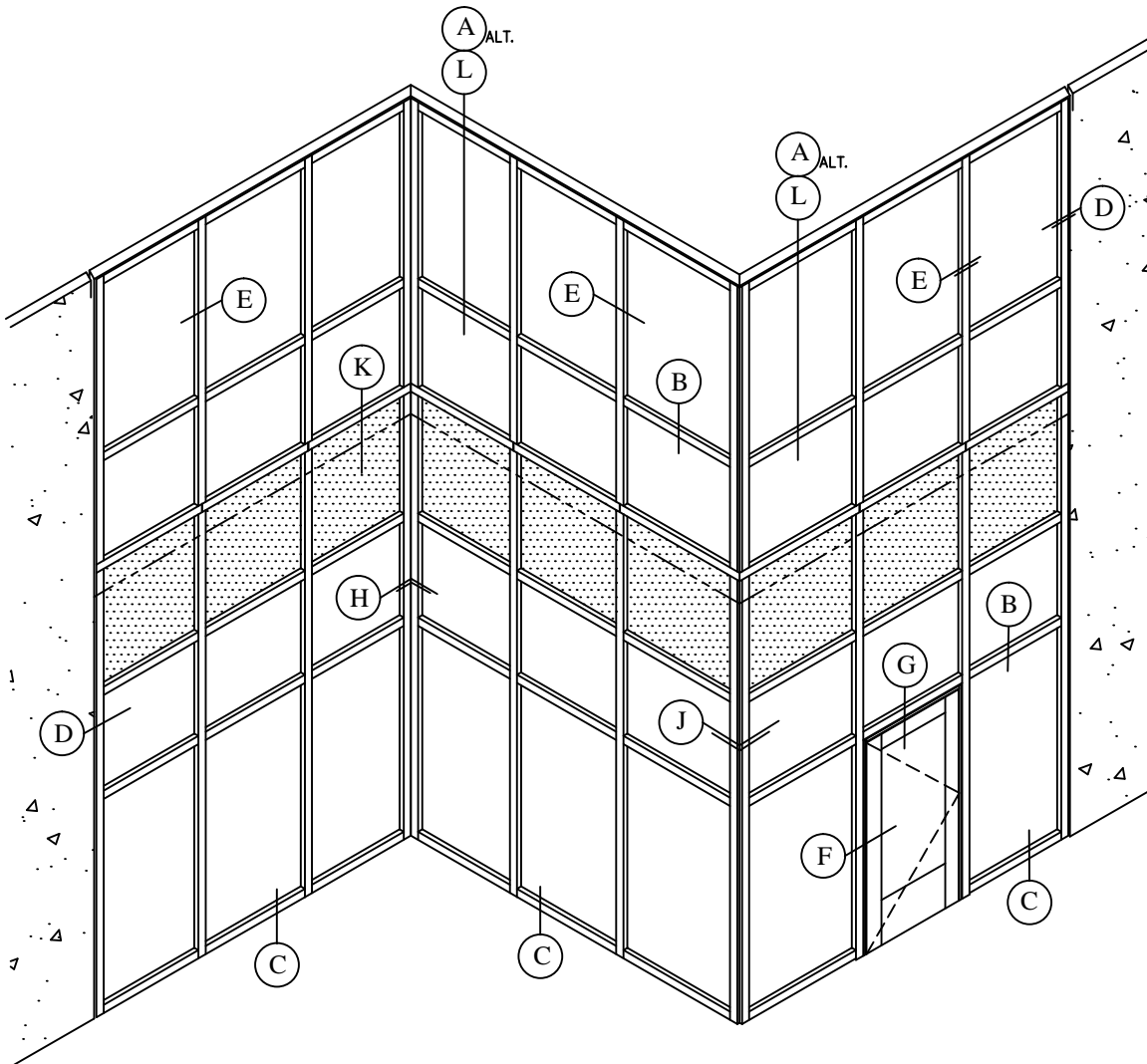
¹U-factor will Vary depending on glazing selected.

UNITIZED CAPTURED SERIES
8.375C
Series: ELEVATION



Drawing No Scale - For Custom Size Drawing Contact Graham
Note: Consult Technical Services At Factory For Sealing Procedures.

US8375C Series
Standard Details, No Scale



Elevation of Captured Unitized Wall

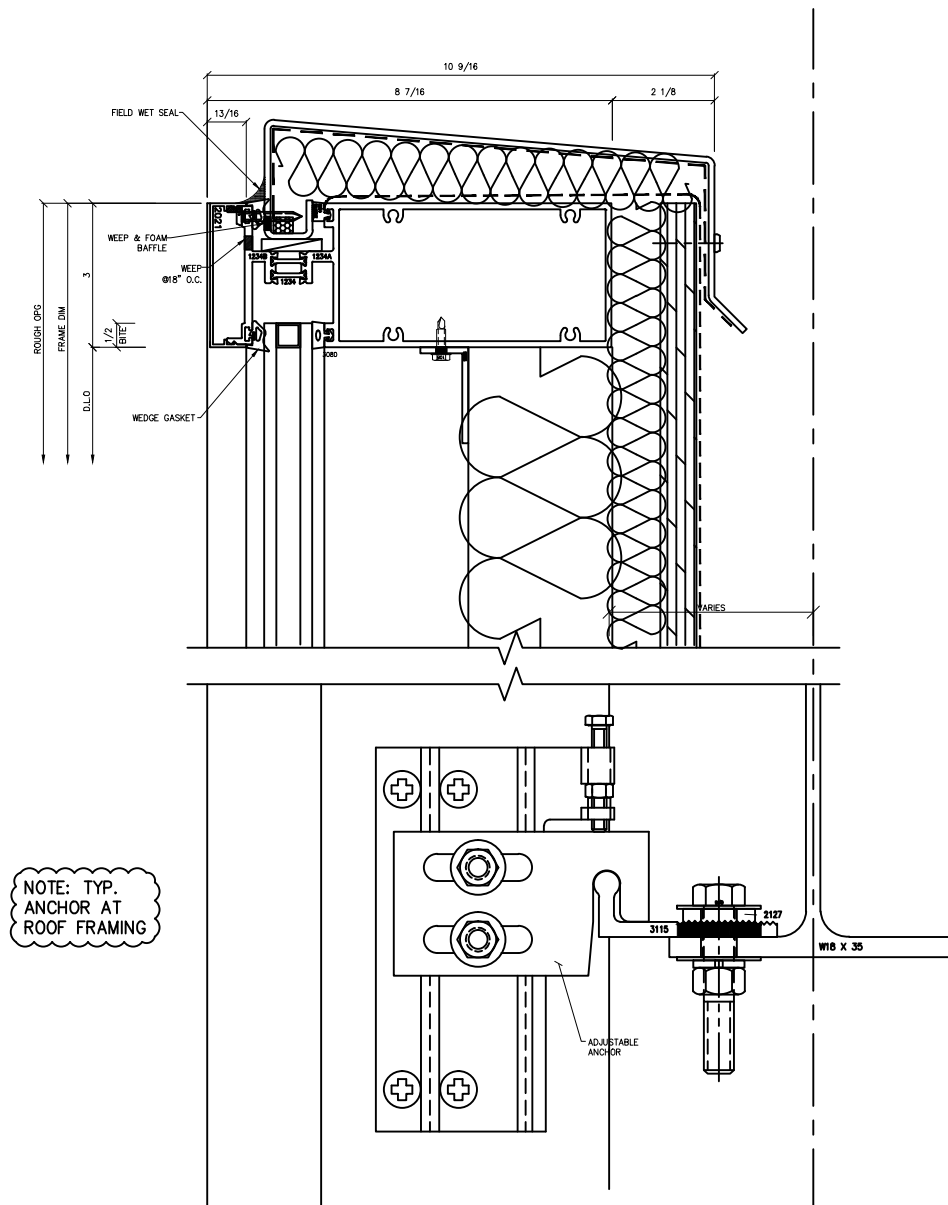
UNITIZED CAPTURED SERIES
 8.375C
 Series: Head Details



Drawing No Scale – For Custom Size Drawing Contact Graham
 Note: Consult Technical Services At Factory For Sealing Procedures.

US8375C Series
 Standard Details, No Scale

A
 Head



UNITIZED CAPTURED SERIES
8.375C
Series: Horizontal Details



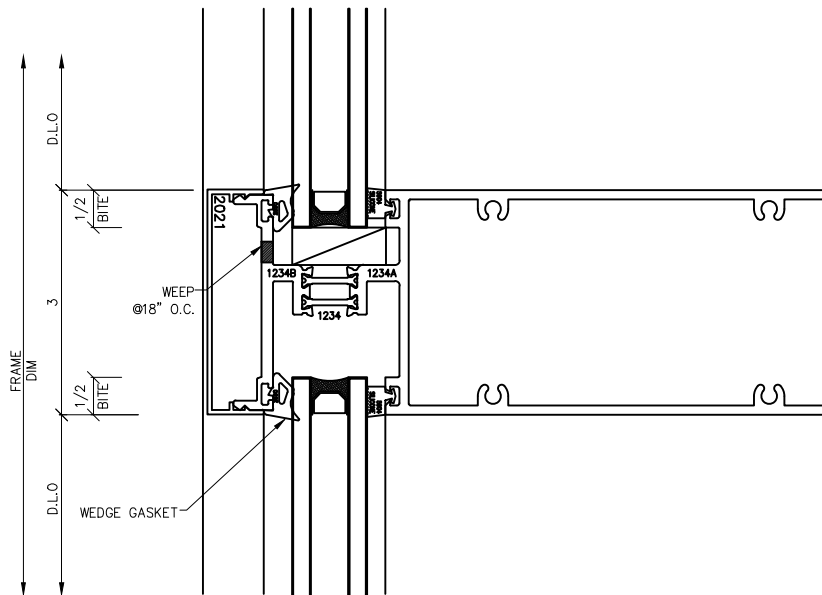
Drawing No Scale – For Custom Size Drawing Contact Graham
Note: Consult Technical Services At Factory For Sealing Procedures.

US8375C Series

Standard Details, No Scale



Horizontal



UNITIZED CAPTURED SERIES
8.375C
Series: Jamb Detail

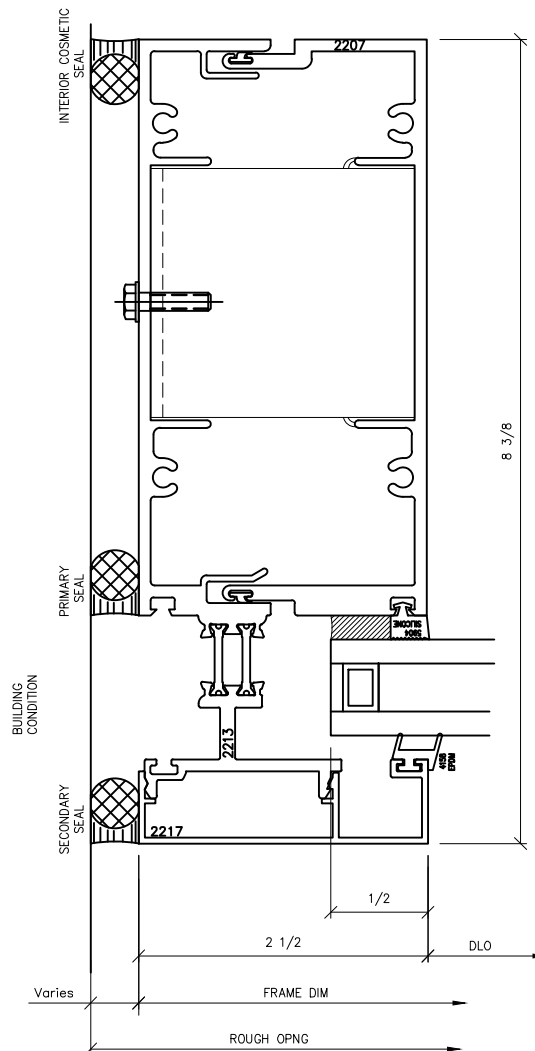


Drawing No Scale - For Custom Size Drawing Contact Graham
Note: Consult Technical Services At Factory For Sealing Procedures.

US8375C Series
Standard Details, No Scale



Jamb



UNITIZED CAPTURED SERIES
8.375C
Series: Vertical Stack Detail

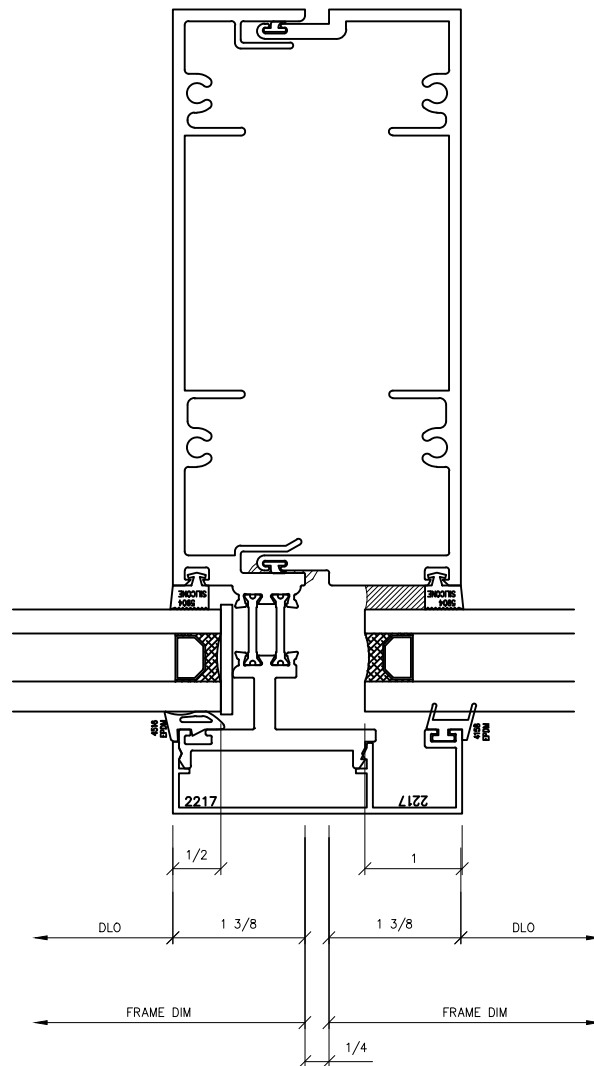


Drawing No Scale - For Custom Size Drawing Contact Graham
Note: Consult Technical Services At Factory For Sealing Procedures.

US8375C Series
Standard Details, No Scale

E

Vertical Stack



UNITIZED CAPTURED SERIES
8.375C
Series: Door Jamb Detail

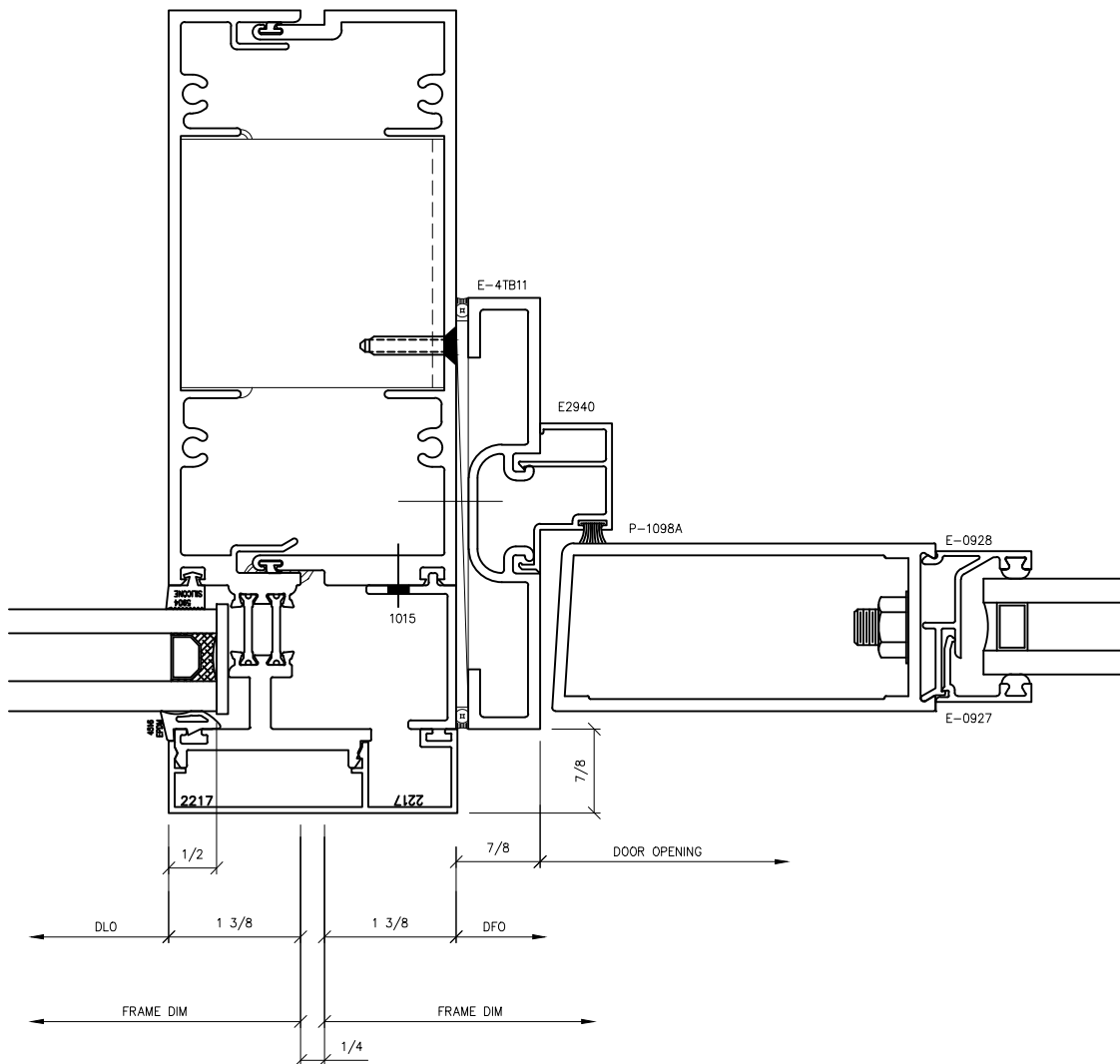


Drawing No Scale - For Custom Size Drawing Contact Graham
Note: Consult Technical Services At Factory For Sealing Procedures.

US8375C Series
Standard Details, No Scale



Door Jamb

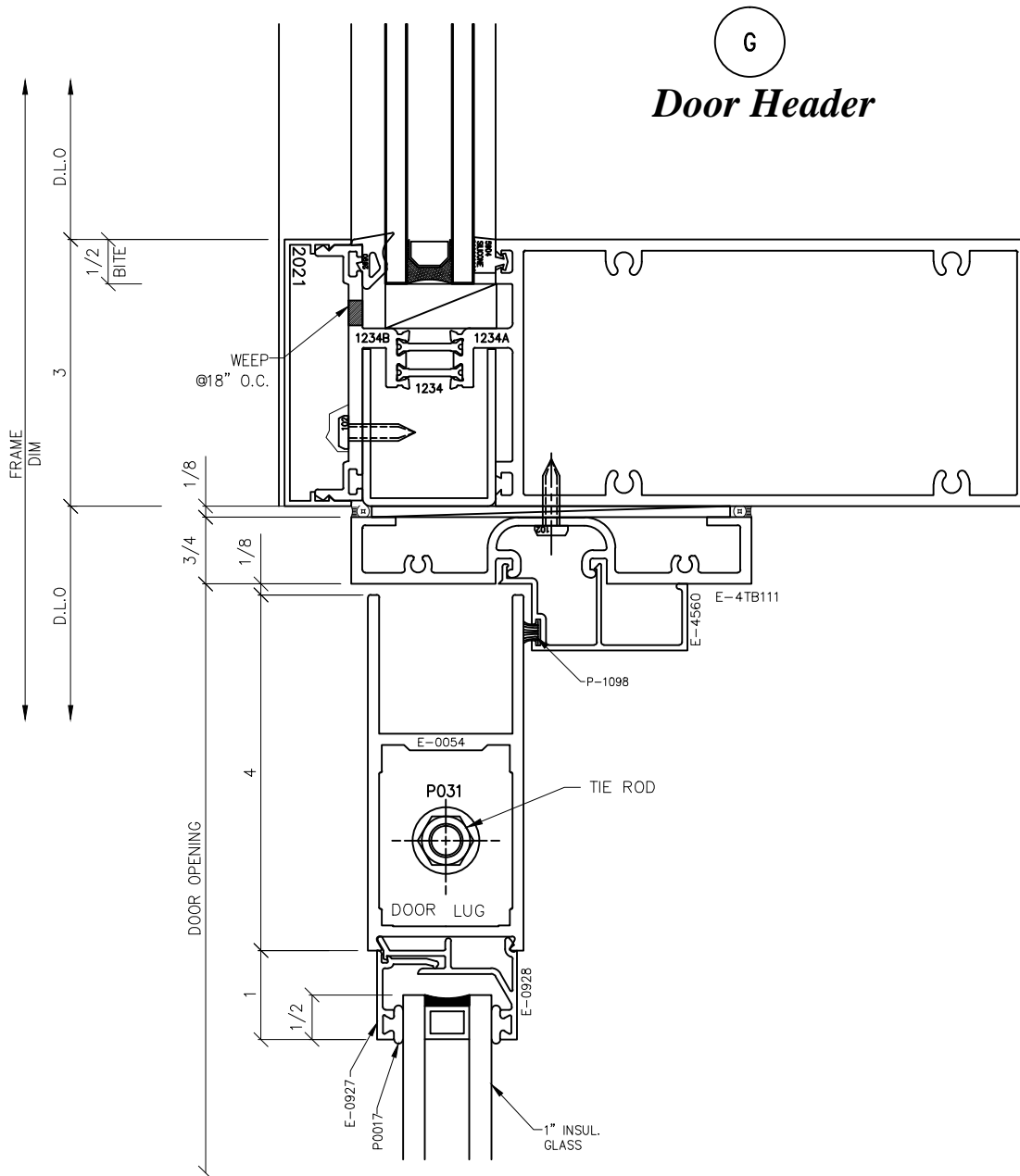


UNITIZED CAPTURED SERIES
 8.375C
 Series: Door Head Detail



Drawing No Scale – For Custom Size Drawing Contact Graham
 Note: Consult Technical Services At Factory For Sealing Procedures.

US8375C Series
Standard Details, No Scale



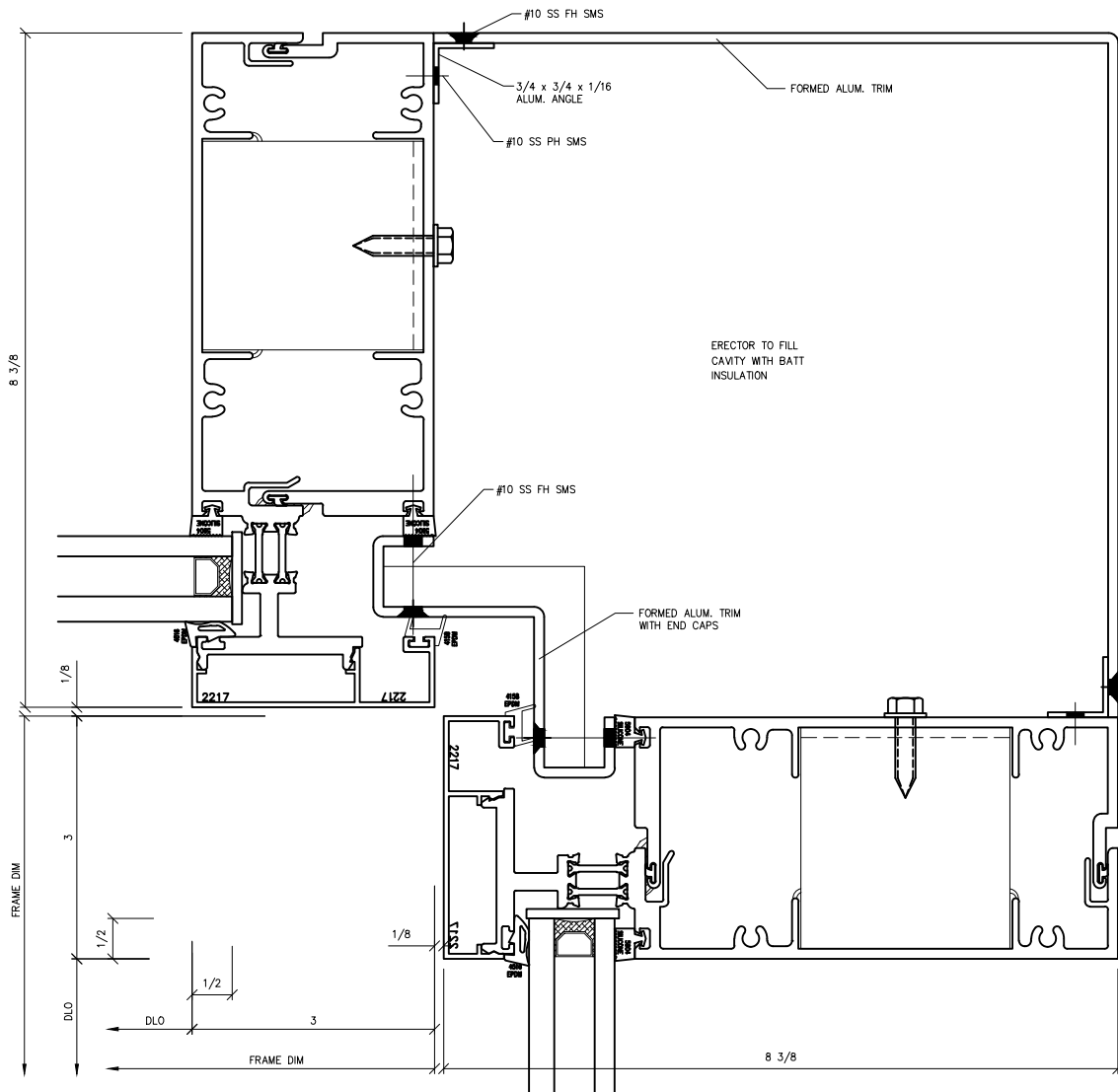
UNITIZED CAPTURED SERIES
8.375C
Series: Inside Corner Detail



Drawing No Scale - For Custom Size Drawing Contact Graham
Note: Consult Technical Services At Factory For Sealing Procedures.

US8375C Series
Standard Details, No Scale

(H)
Inside Corner

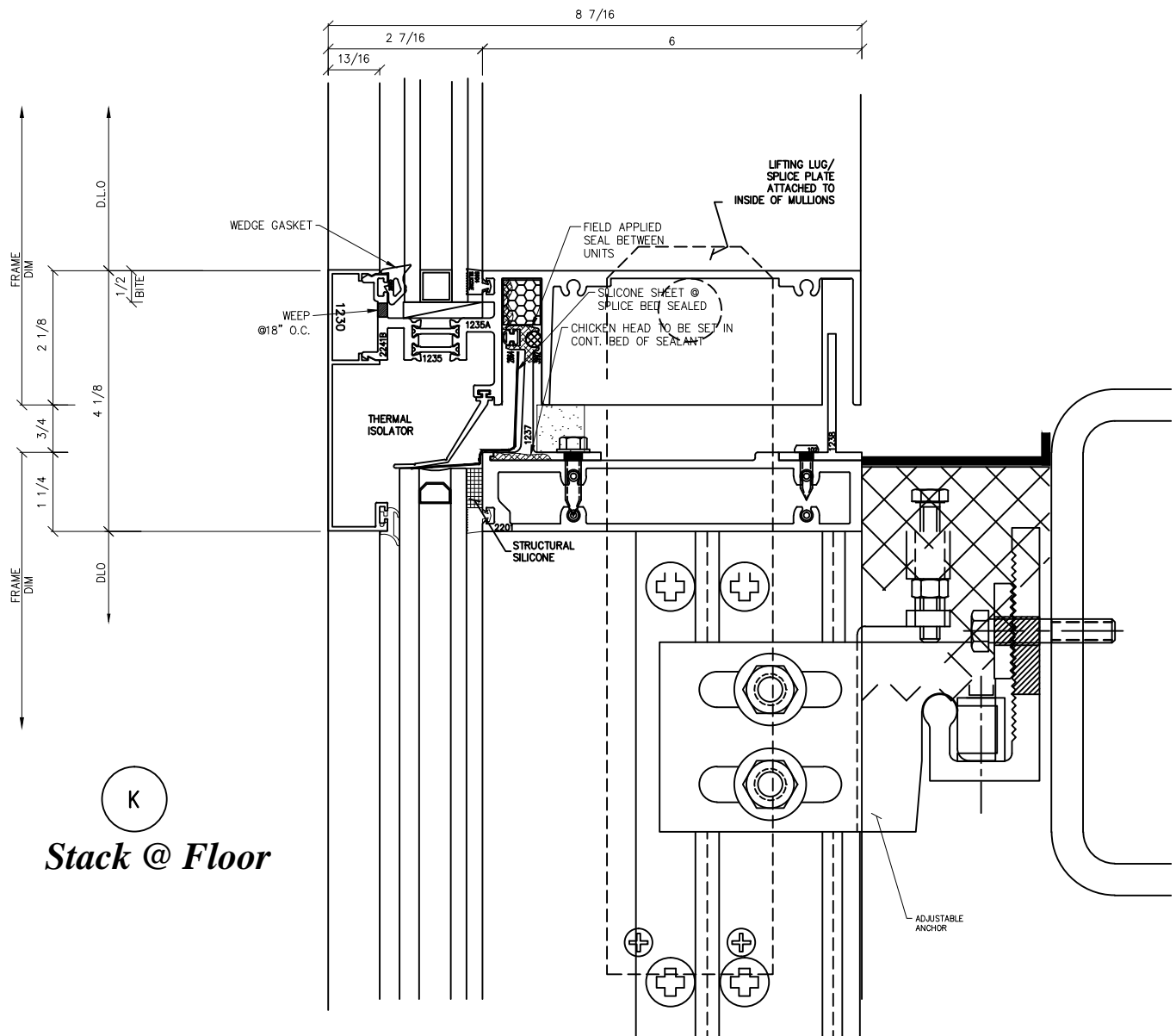


UNITIZED CAPTURED SERIES
 8.375C
 Series: Stack @ Floor Detail



Drawing No Scale - For Custom Size Drawing Contact Graham
 Note: Consult Technical Services At Factory For Sealing Procedures.

US8375C Series
Standard Details, No Scale



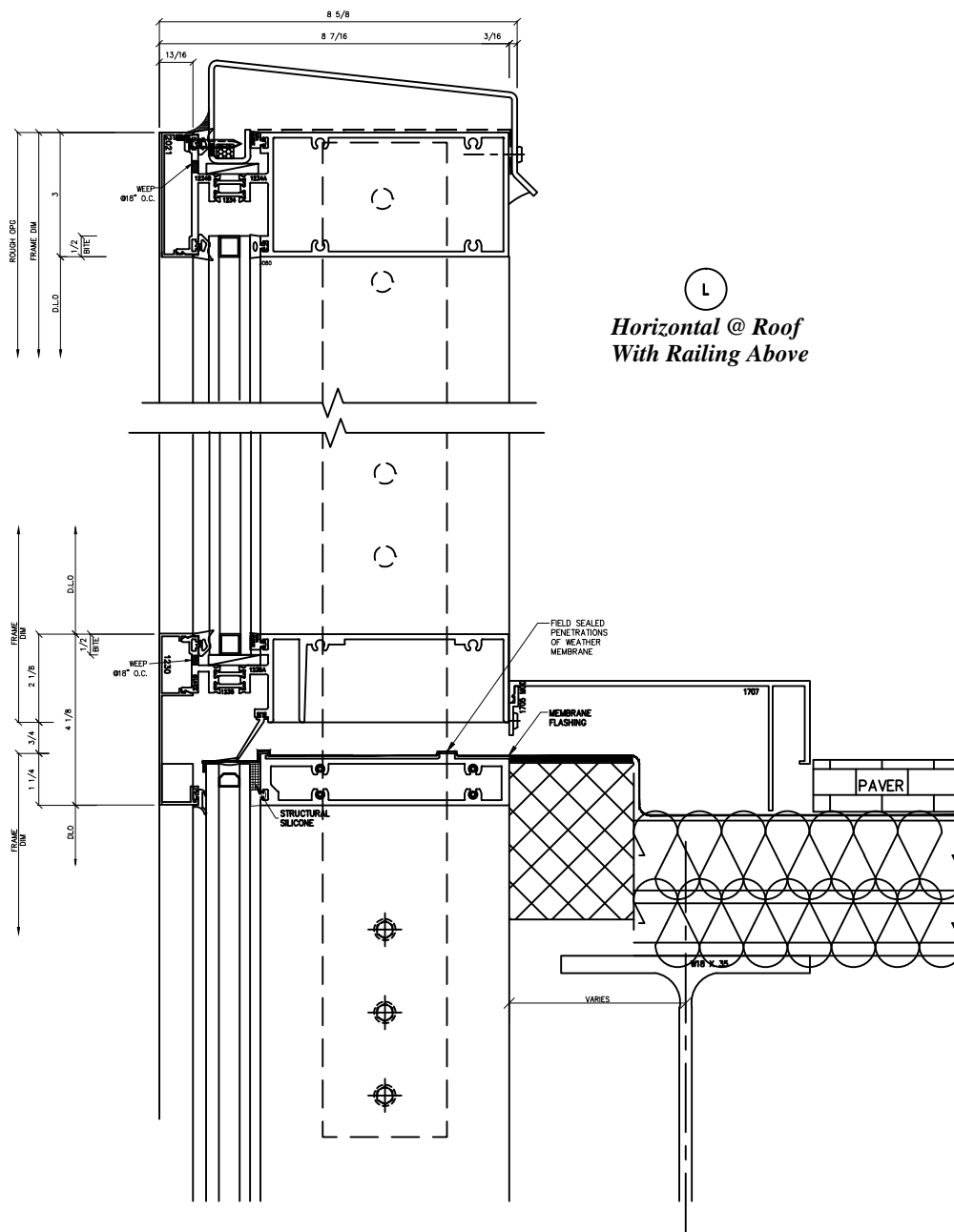
K
Stack @ Floor

UNITIZED CAPTURED SERIES
 8.375C
 Series: Horizontal @ Roof W/Railing



Drawing No Scale – For Custom Size Drawing Contact Graham
 Note: Consult Technical Services At Factory For Sealing Procedures.

US8375C Series
Standard Details, No Scale



(L)
 Horizontal @ Roof
 With Railing Above