

US8375 SERIES UNITIZED CURTAIN WALL DATA SHEET



US8375 SERIES QUICK VIEW:

The US8375 Series unitized curtain wall system was designed as a versatile, high performing solution for buildings that require superior performance and rapid installation.

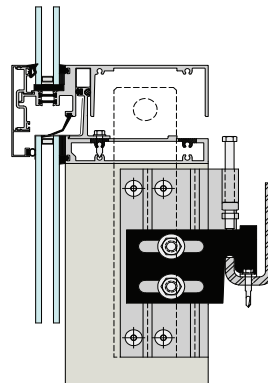
FEATURES

- Outside glazed
- 3" face width
- 8-³/₈" standard depth
- Captured or structurally glazed
- Integrated lifting/alignment brackets
- 1/4"-1-1/8" glazing infills
- 3/8" thermal separation
- Screw-spline construction

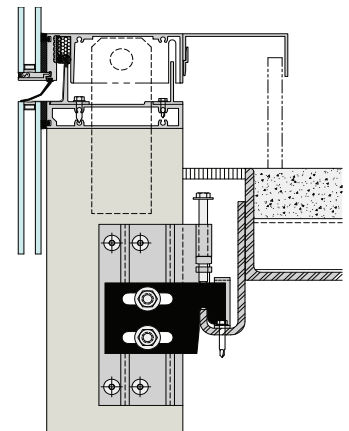
OPTIONAL FEATURES

- Zero sightline vents
- Sunshades and light shelves

US8375 C Details (Horizontal Section)



US8375 S Details (Horizontal Section)



AIR (cfm/ft ²) @ 6.24 psf	WATER (psf)	U-FACTOR (BTU/hr/ft ² /°F)
0.03	15	0.33 ¹

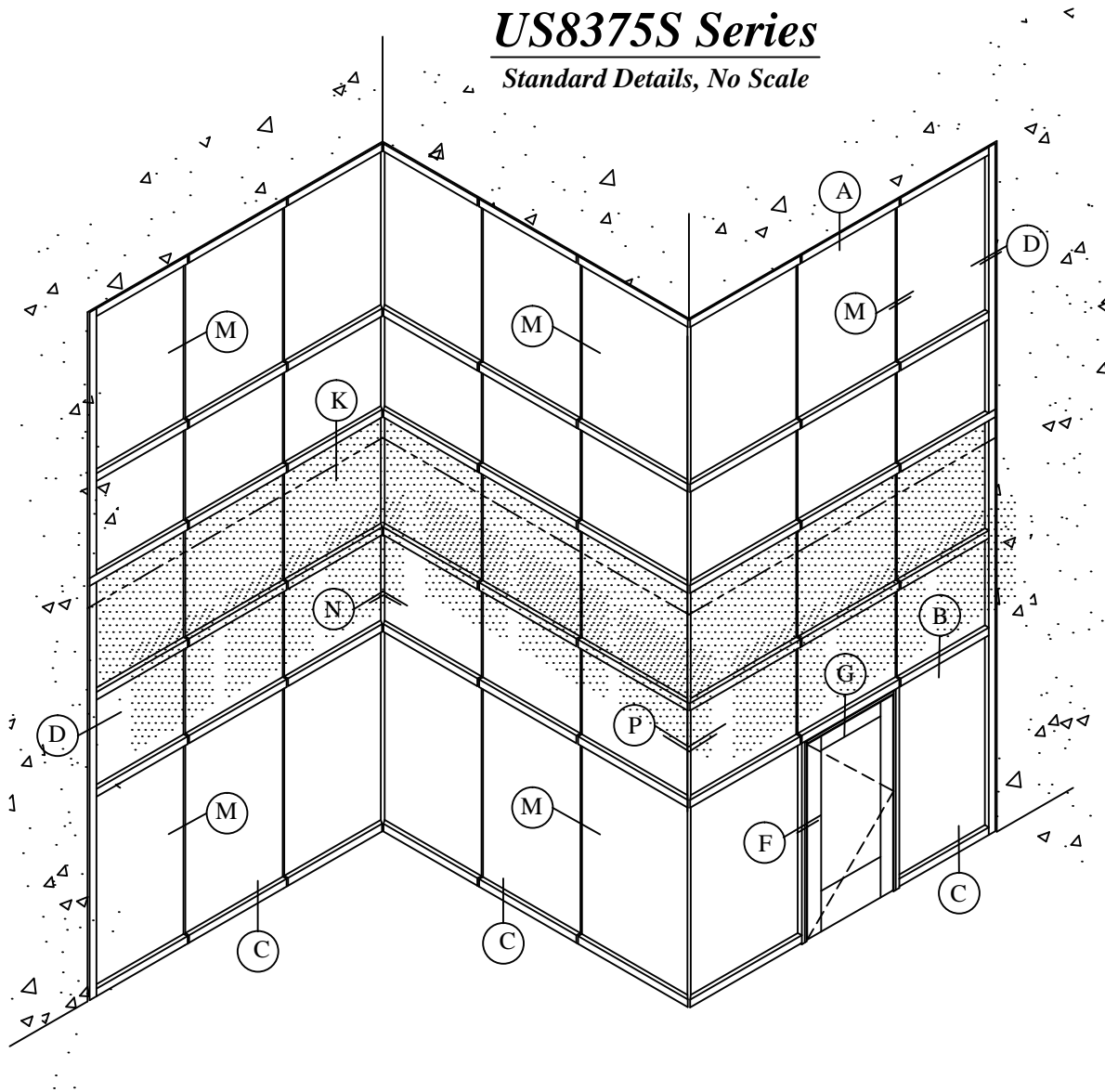
¹U-factor will Vary depending on glazing selected.

UNITIZED SG SERIES
8.375s
Series: ELEVATION



Drawing No Scale - For Custom Size Drawing Contact Graham
Note: Consult Technical Services At Factory For Sealing Procedures.

US8375S Series
Standard Details, No Scale



Elevation of Structurally Glazed Unitized Wall

UNITIZED SG SERIES
8.375s
Series: Head Details



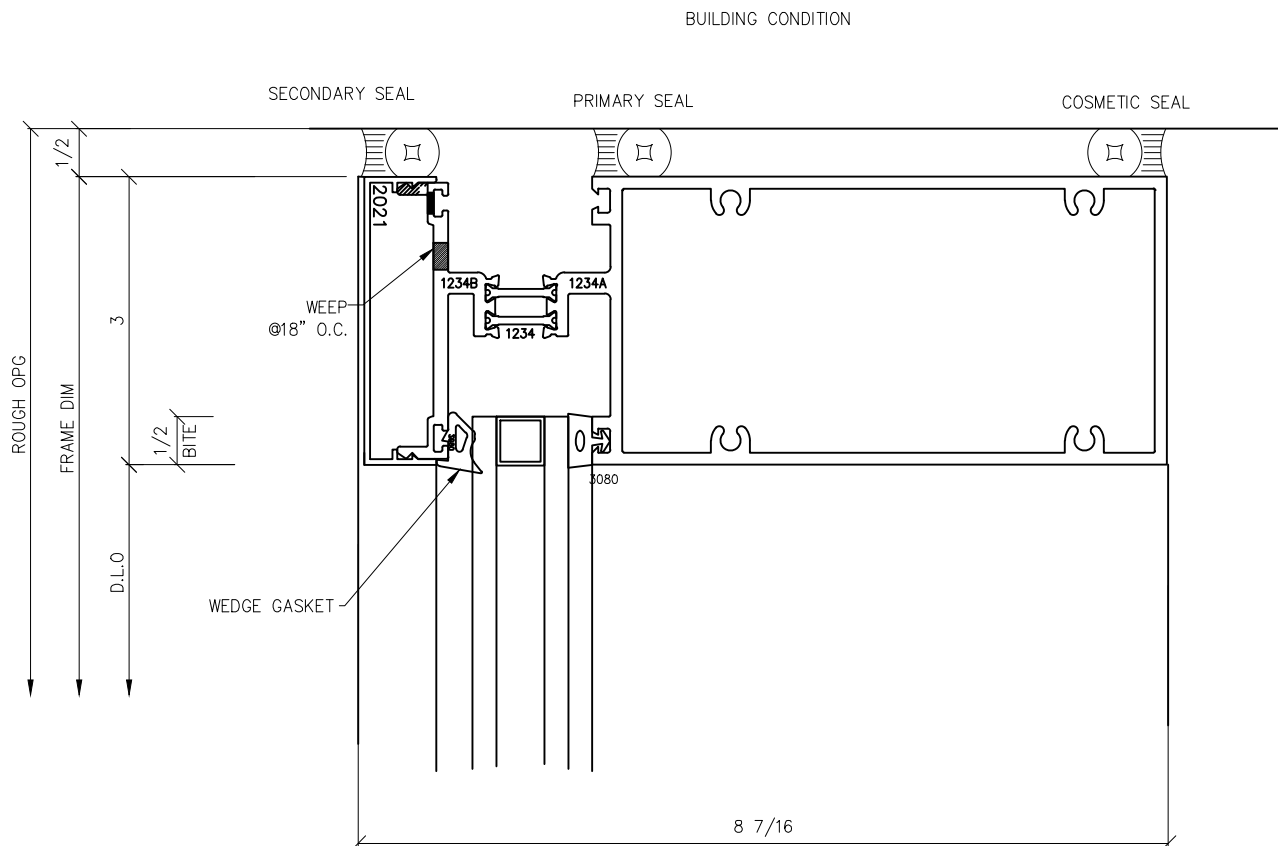
Drawing No Scale - For Custom Size Drawing Contact Graham
Note: Consult Technical Services At Factory For Sealing Procedures.

US8375S Series

Standard Details, No Scale

A

Head



UNITIZED SG SERIES
8.375s
Series: Horizontal Details



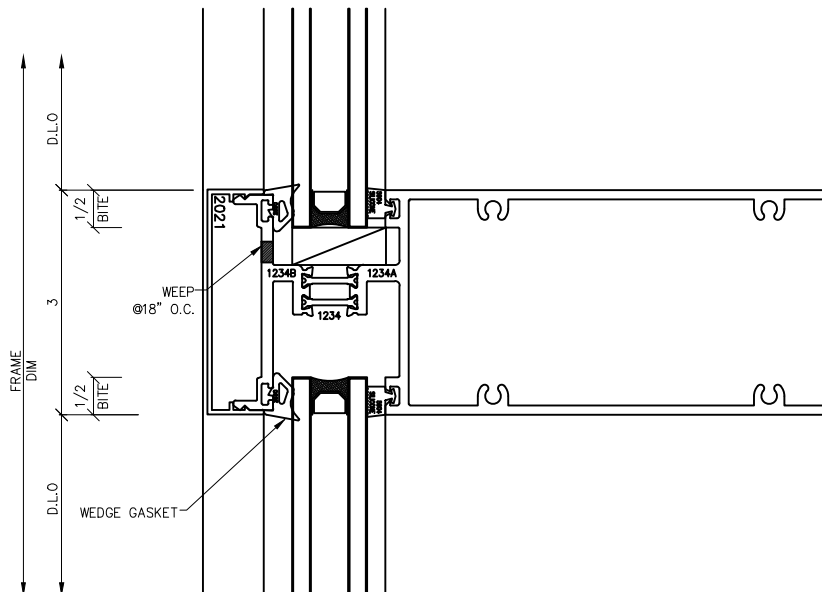
Drawing No Scale – For Custom Size Drawing Contact Graham
Note: Consult Technical Services At Factory For Sealing Procedures.

US8375S Series

Standard Details, No Scale



Horizontal



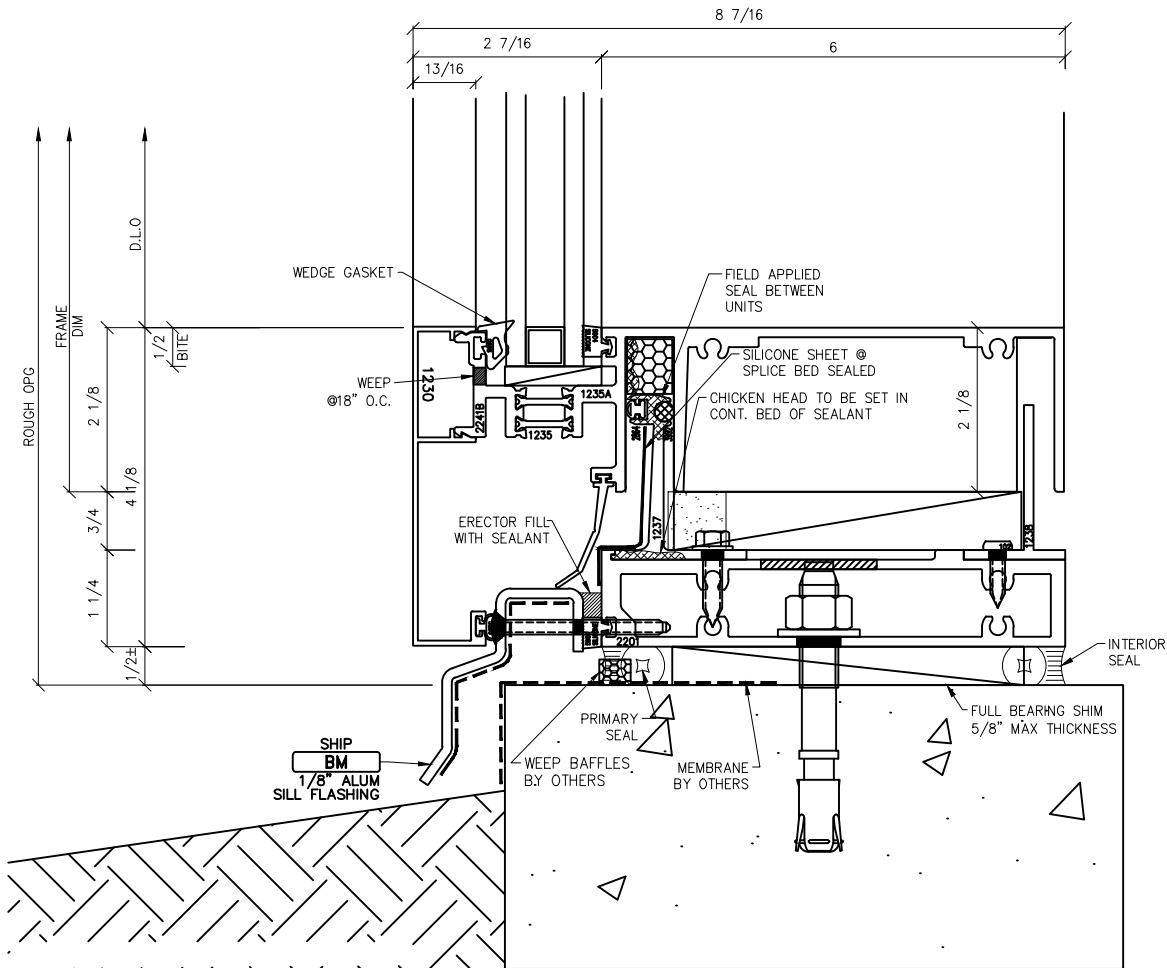
UNITIZED SG SERIES
 8.375s
 Series: Sill Detail



Drawing No Scale – For Custom Size Drawing Contact Graham
 Note: Consult Technical Services At Factory For Sealing Procedures.

US8375S Series
Standard Details, No Scale

C
 Sill



UNITIZED SG SERIES
 8.375s
 Series: Jamb Detail

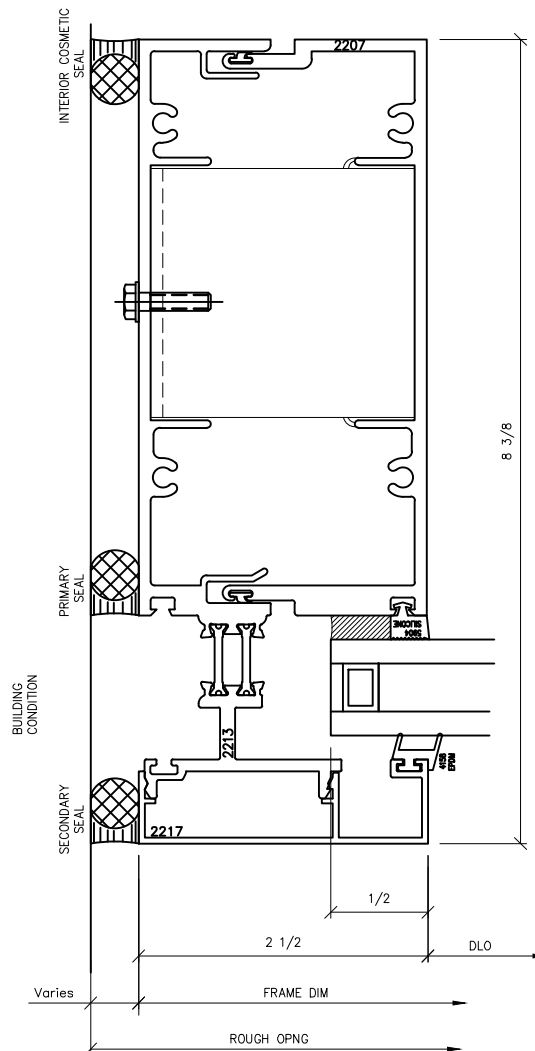


Drawing No Scale – For Custom Size Drawing Contact Graham
 Note: Consult Technical Services At Factory For Sealing Procedures.

US8375S Series
Standard Details, No Scale



Jamb



UNITIZED SG SERIES
8.375s
Series: Door Jamb Detail

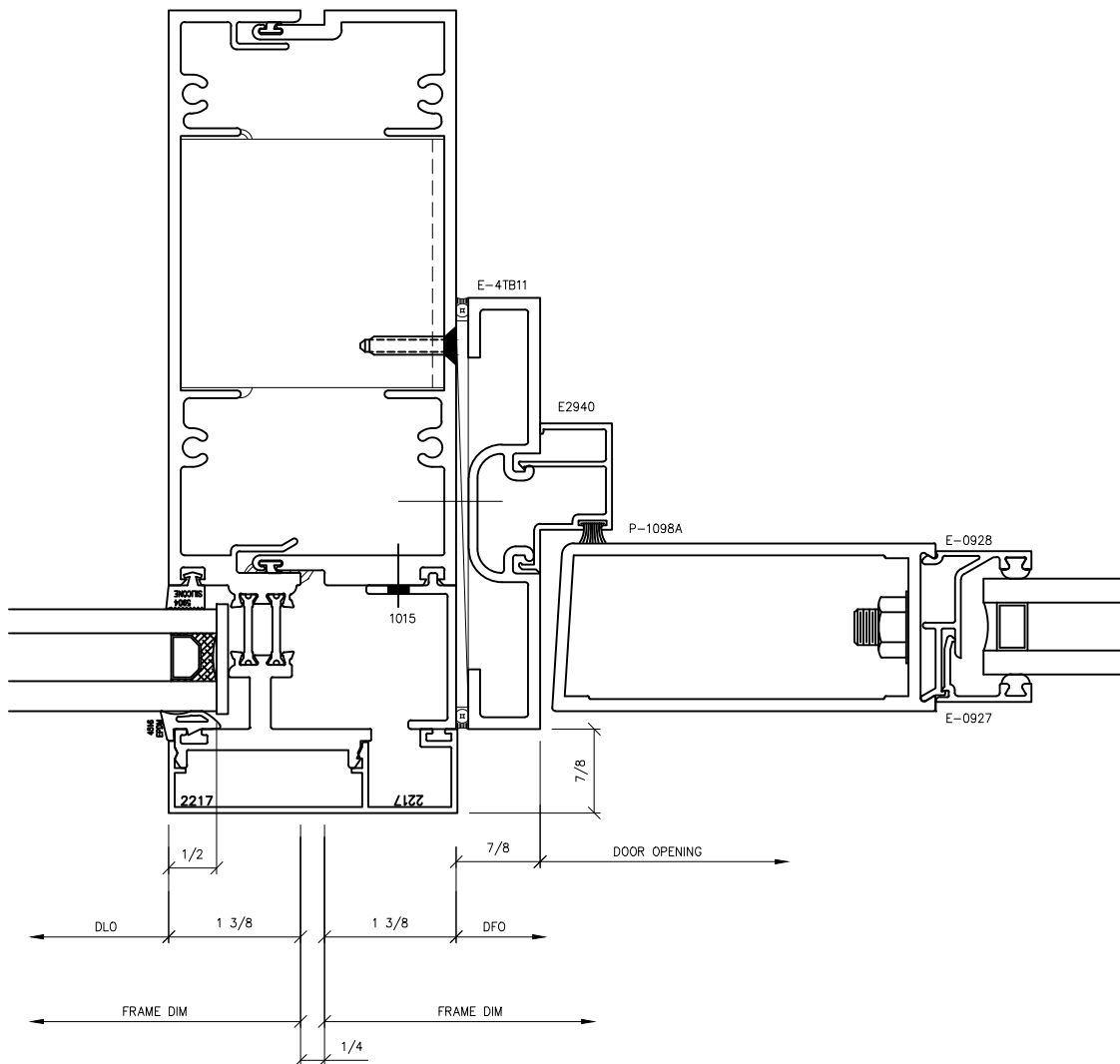


Drawing No Scale - For Custom Size Drawing Contact Graham
Note: Consult Technical Services At Factory For Sealing Procedures.

US8375S Series
Standard Details, No Scale

F

Door Jamb

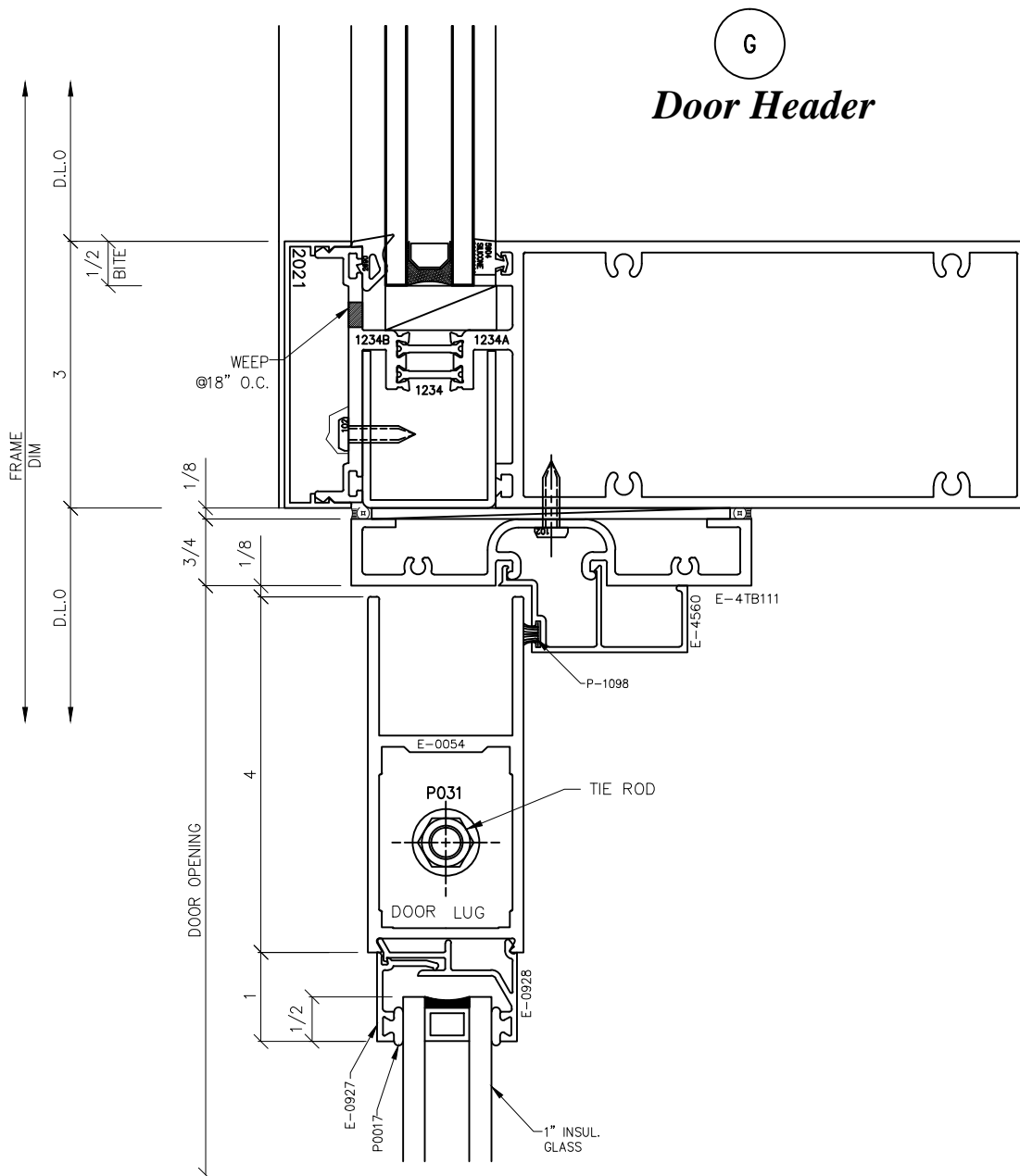


UNITIZED SG SERIES
 8.375s
 Series: Door Head Detail



Drawing No Scale - For Custom Size Drawing Contact Graham
 Note: Consult Technical Services At Factory For Sealing Procedures.

US8375S Series
Standard Details, No Scale

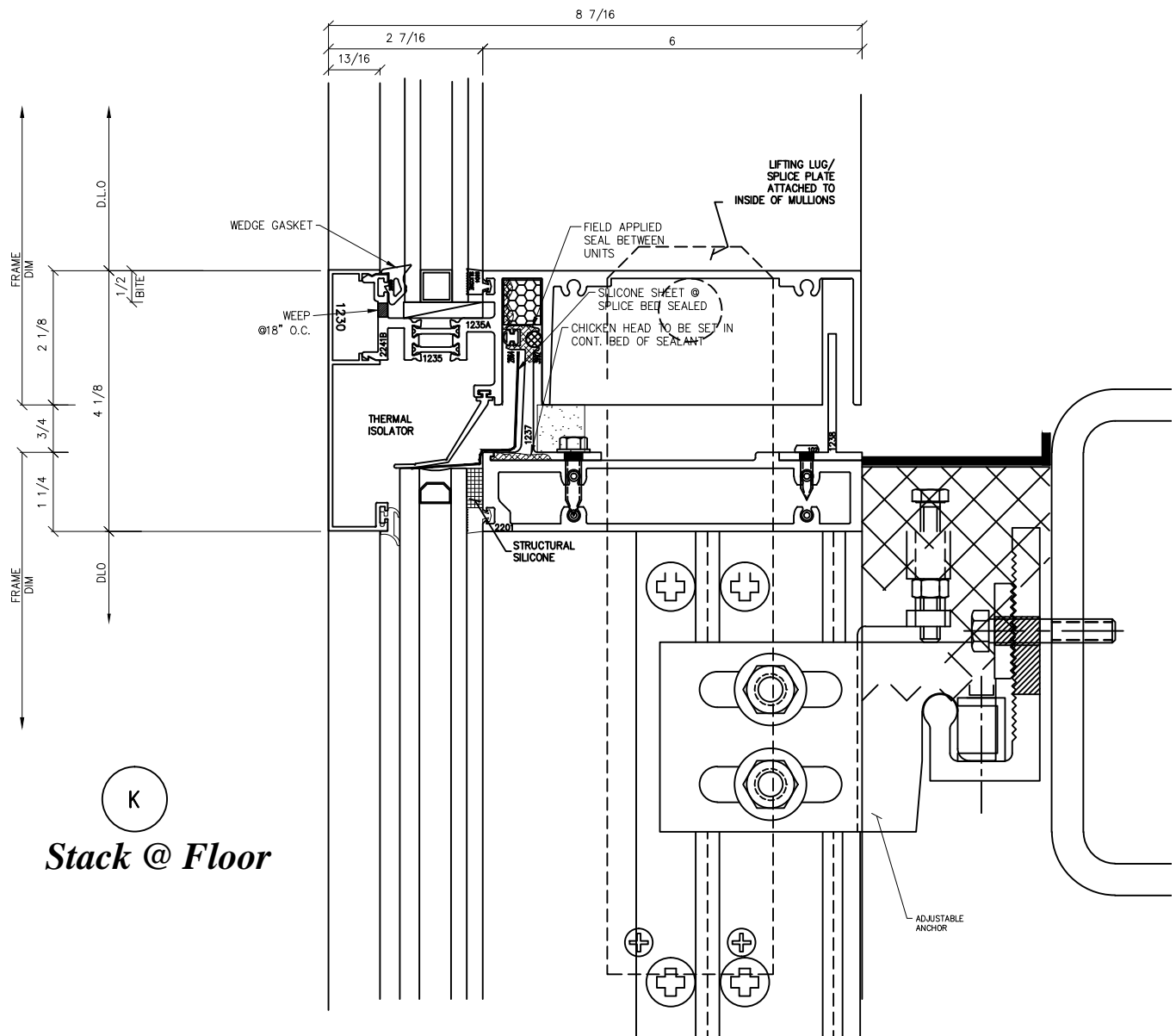


UNITIZED SG SERIES
 8.375s
 Series: Stack @ Floor Detail



Drawing No Scale - For Custom Size Drawing Contact Graham
 Note: Consult Technical Services At Factory For Sealing Procedures.

US8375S Series
Standard Details, No Scale



K
Stack @ Floor

UNITIZED SG SERIES
8.375s



Series: Structurally glazed Stack Detail

CURTAIN WALL SOLUTIONS

Drawing No Scale - For Custom Size Drawing Contact Graham

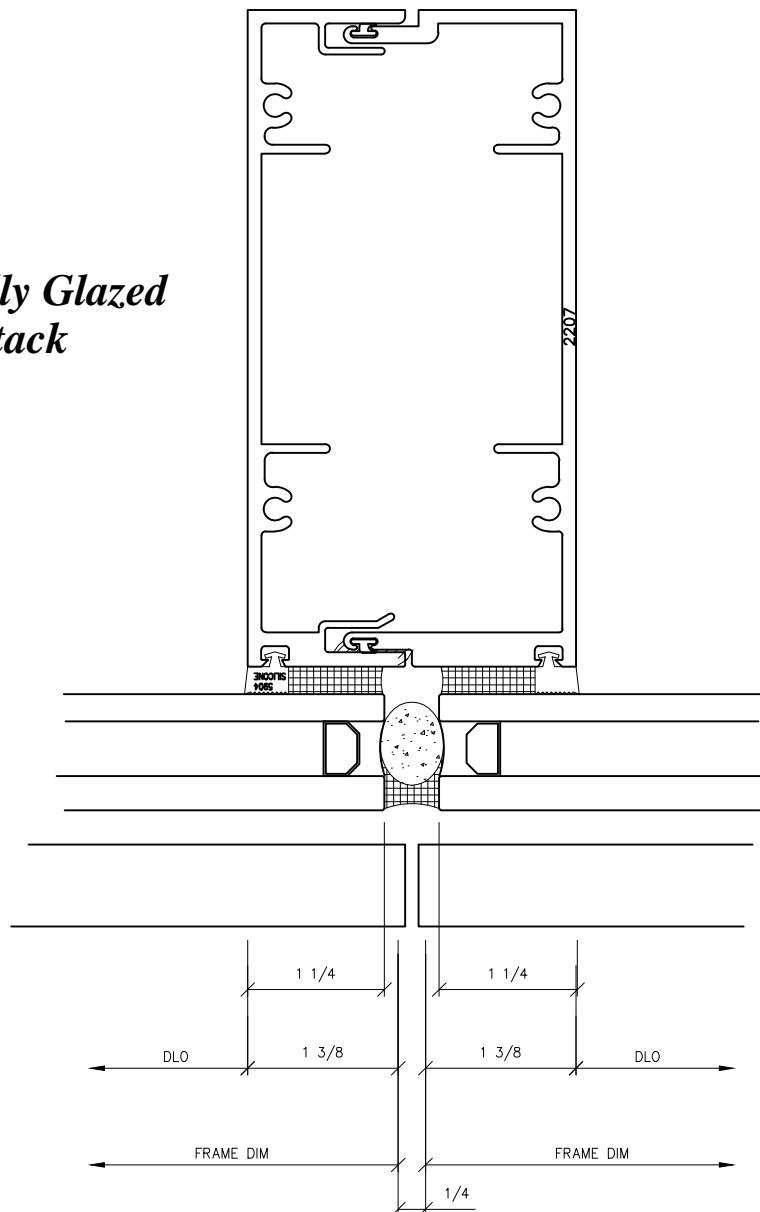
Note: Consult Technical Services At Factory For Sealing Procedures.

US8375S Series

Standard Details, No Scale



*Structurally Glazed
Vertical Stack*



UNITIZED SG SERIES
8.375s

Series: Structurally glazed Inside Corner

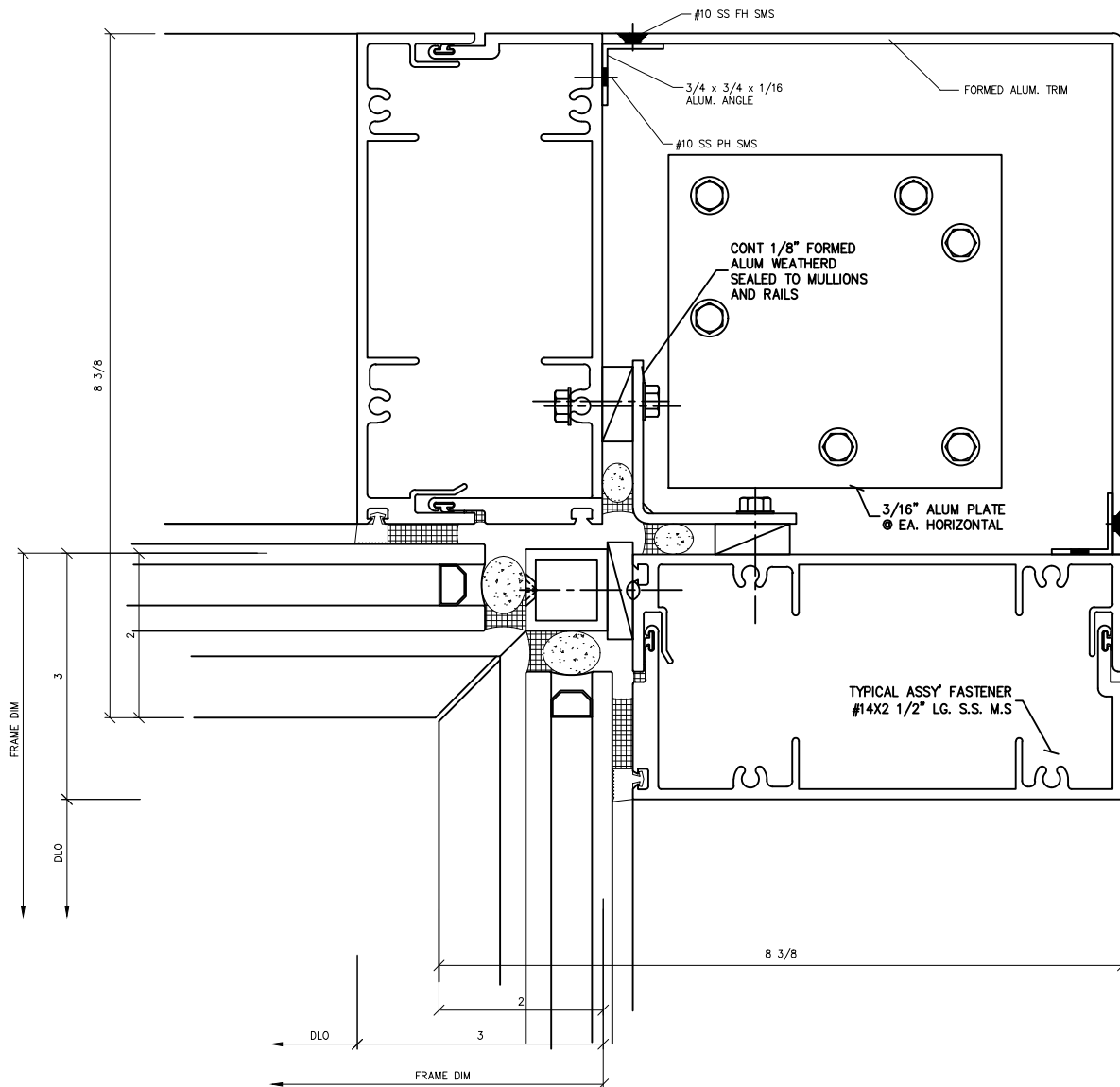


Drawing No Scale - For Custom Size Drawing Contact Graham

Note: Consult Technical Services At Factory For Sealing Procedures.

US8375S Series

Standard Details, No Scale



Structurally Glazed Inside Corner

UNITIZED SG SERIES
 8.375s
 Series: Outside Corner Detail



Drawing No Scale – For Custom Size Drawing Contact Graham
 Note: Consult Technical Services At Factory For Sealing Procedures.

US8375S Series
Standard Details, No Scale

P

Outside Corner

