

Horizontal Slider - 4"

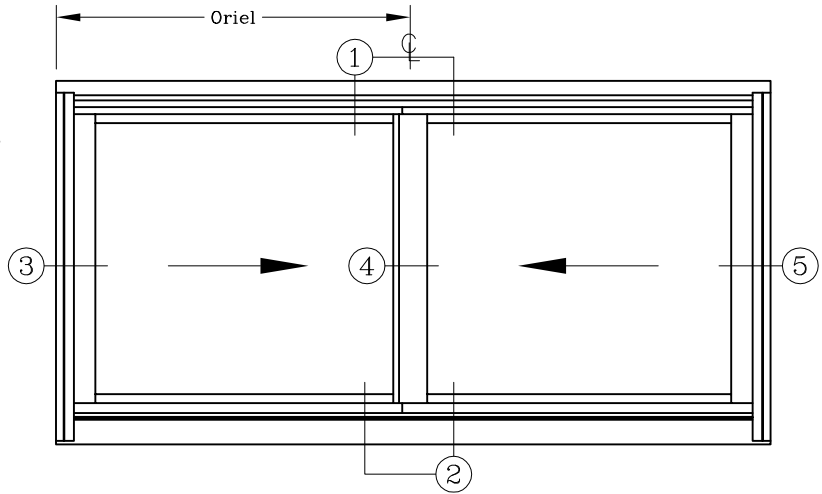
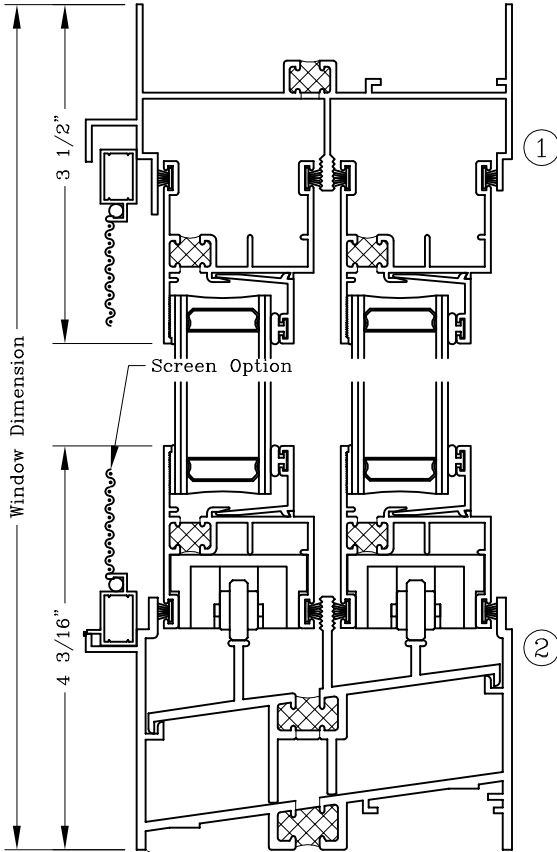


Series: 0200

Manufacturing Code: 0201

Drawing 1/2 Scale - For Custom Size Drawing Contact Graham

Note: Sealant Not Shown On Details. Consult Technical Services At Factory For Sealing Procedures.

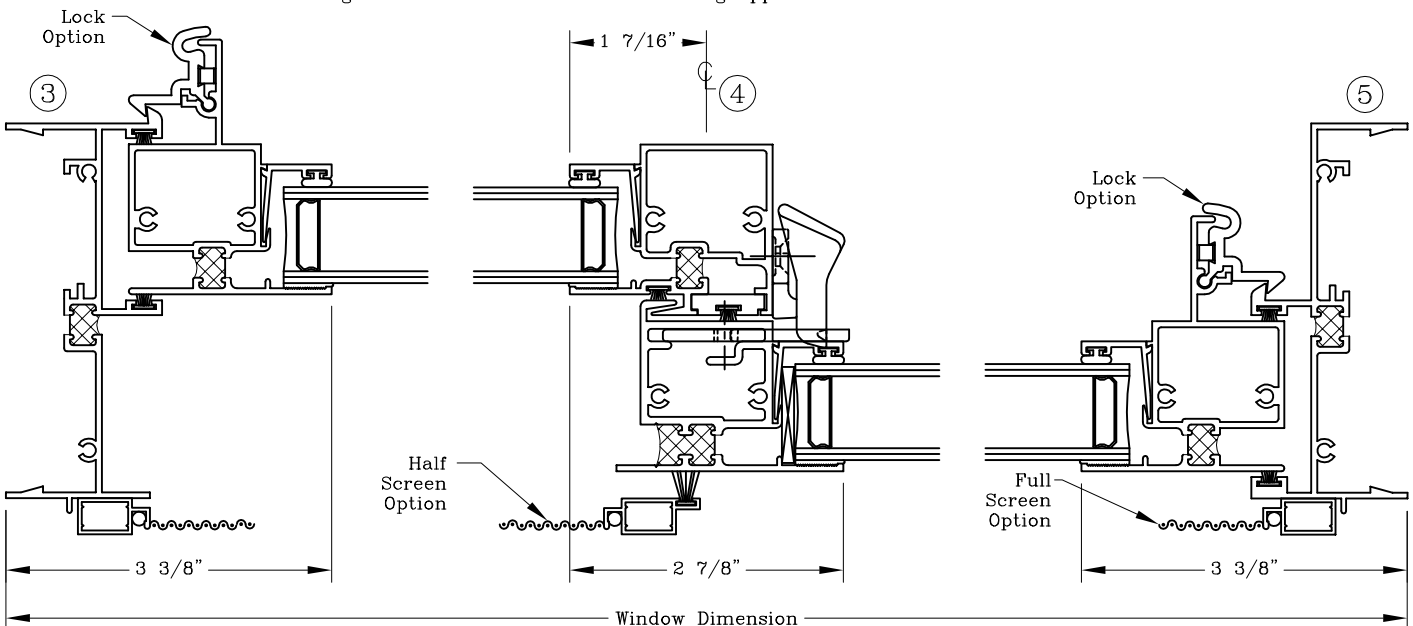


ELEVATION

- XX - Shown
- OX - Available w/ Fixed Sash
- XO - Available w/ Fixed Sash

Optional Frames Available - Reference Frame Options Sheets Starting at 02.08
Optional Meeting Rails Available - Reference Sheet 02.11

Equal Leg Sill Shown
Pan Leg Sill Available For Attached Panning Applications



Horizontal Slider - 4"

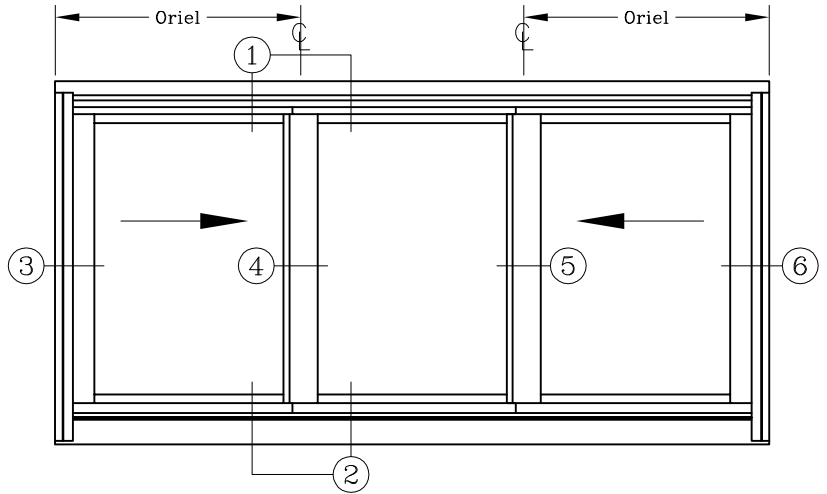
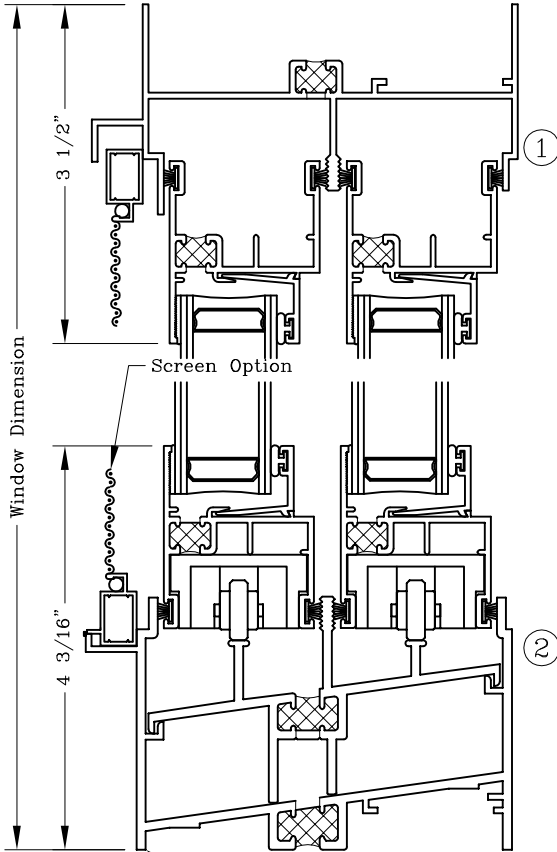


Series: 0200

Manufacturing Code: 0202

Drawing 1/2 Scale - For Custom Size Drawing Contact Graham

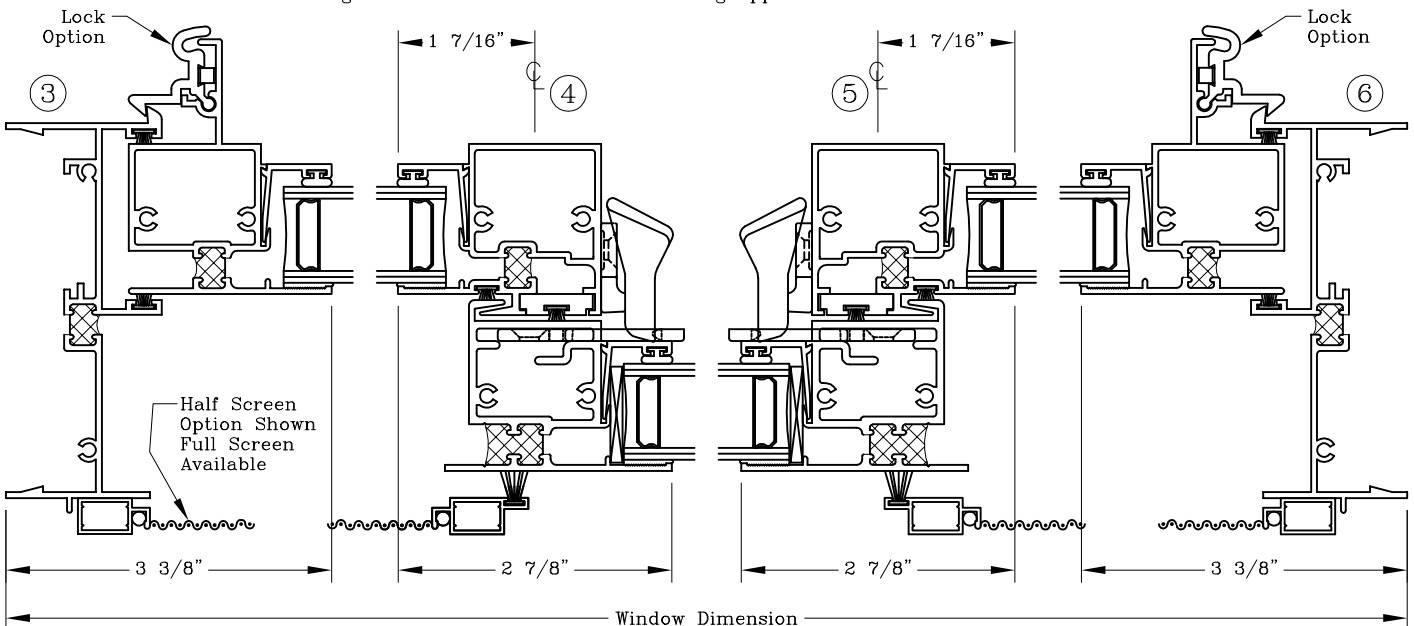
Note: Sealant Not Shown On Details. Consult Technical Services At Factory For Sealing Procedures.



ELEVATION
XOX - Shown

Optional Frames Available - Reference Frame Options Sheets Starting at 02.08
Optional Meeting Rails Available - Reference Sheet 02.11

Equal Leg Sill Shown
Pan Leg Sill Available For Attached Panning Applications



Frame Options - 4"

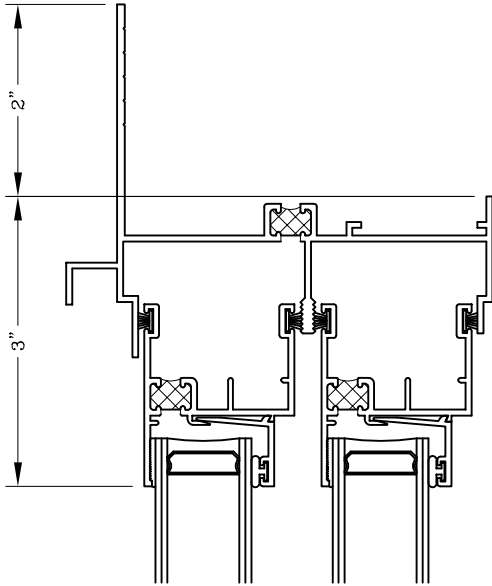


Series: 0200

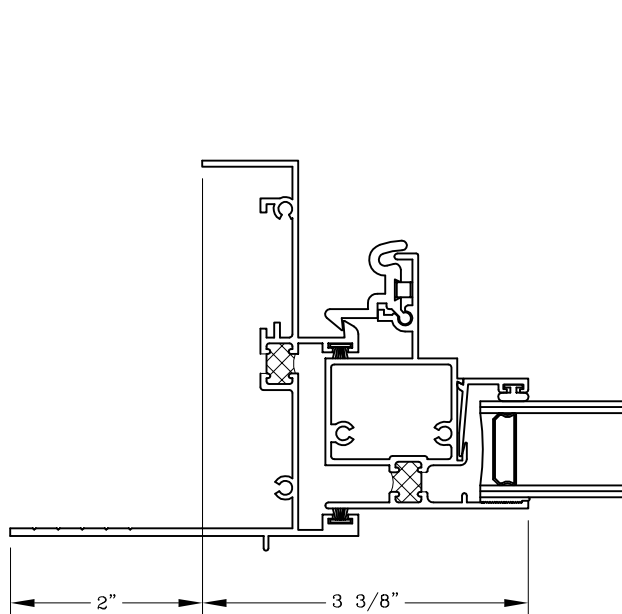
Manufacturing Code: 0208

Drawing 1/2 Scale - For Custom Size Drawing Contact Graham

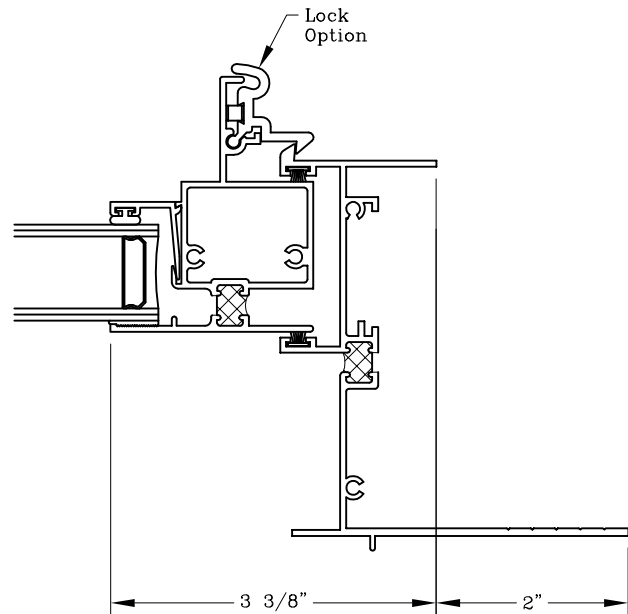
Note: Sealant Not Shown On Details. Consult Technical Services At Factory For Sealing Procedures.



2" Flange Frame - IG Head Shown
#021012



2" Flange Frame - IG Jamb Shown
OX Left Hand
#021038



2" Flange Frame - IG Jamb Shown
OX Right Hand
#021033

Frame Options – 4” Head And Jamb

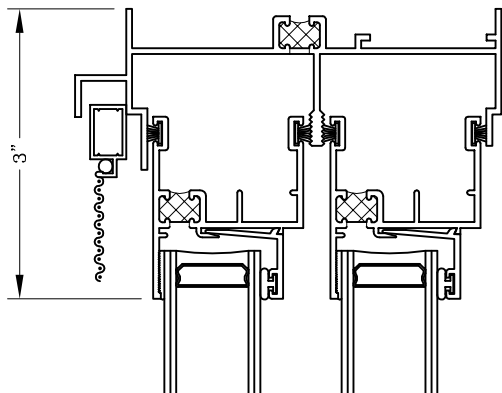


Series: 0200

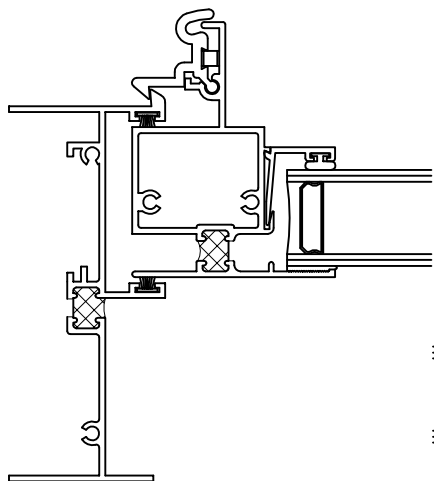
Manufacturing Code: 0209

Drawing 1/2 Scale – For Custom Size Drawing Contact Graham

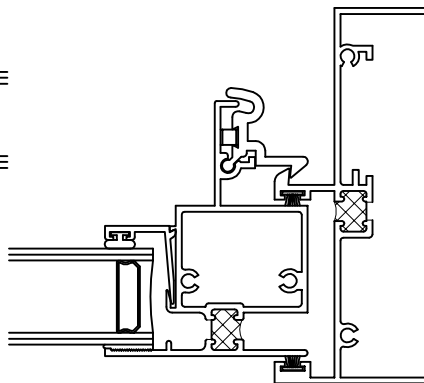
Note: Sealant Not Shown On Details. Consult Technical Services At Factory For Sealing Procedures.



Narrow Head
#021010



Receptor Jamb
XO Left Hand
#021032



Receptor Jamb
XO Right Hand
#021037

Frame Options – 4” Sill

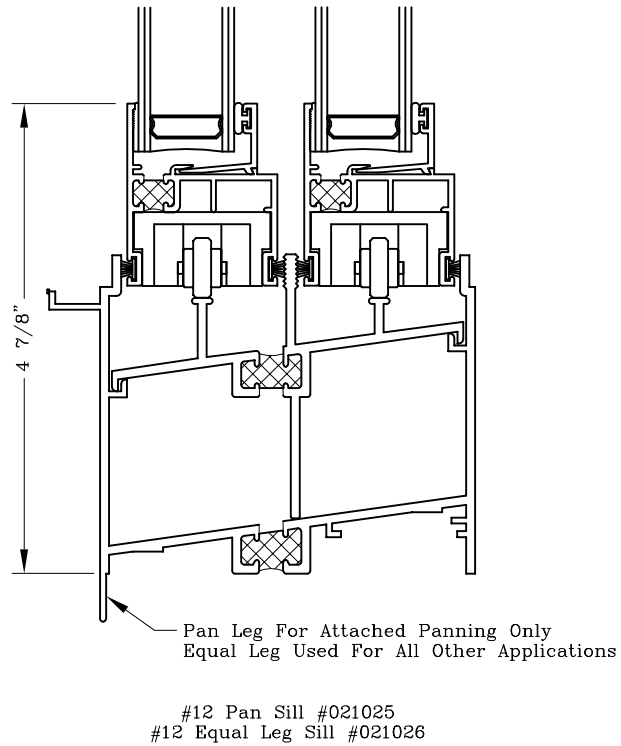
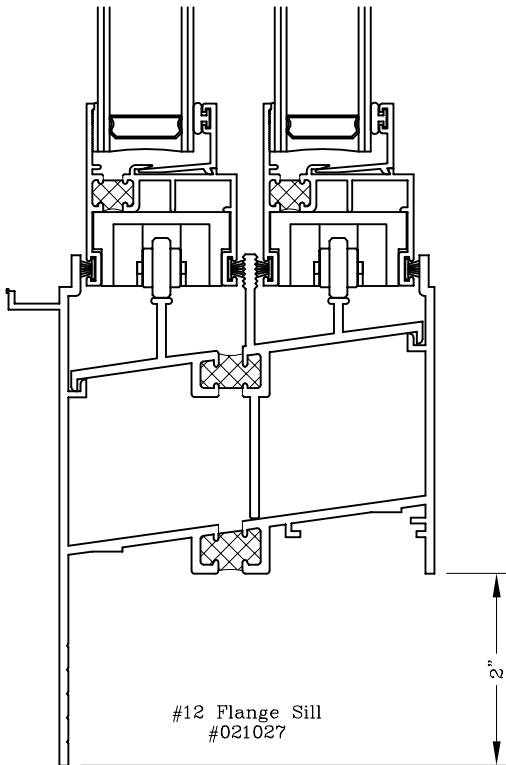
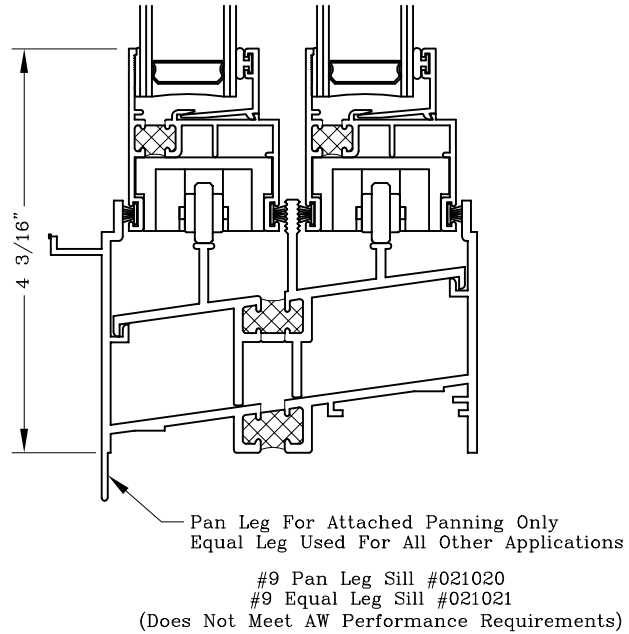
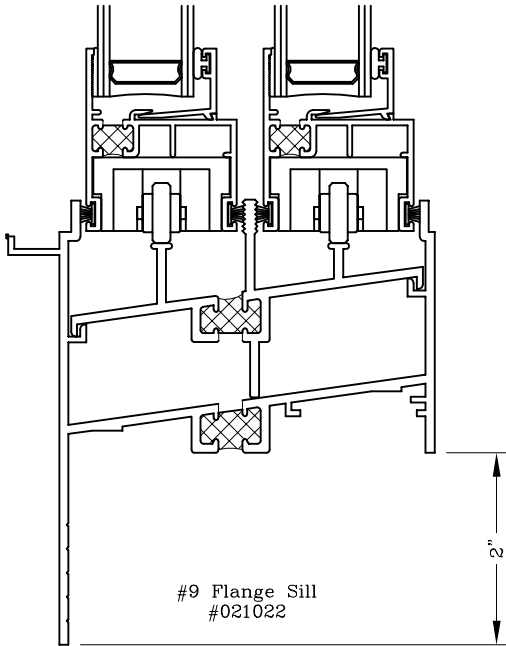


Series: 0200

Manufacturing Code: 0210

Drawing 1/2 Scale – For Custom Size Drawing Contact Graham

Note: Sealant Not Shown On Details. Consult Technical Services At Factory For Sealing Procedures.



Frame Options – 4” Optional Performance AW Meeting Rails

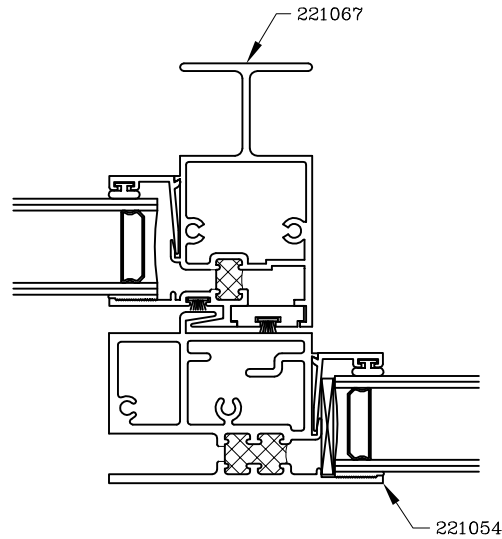


Series: 0200

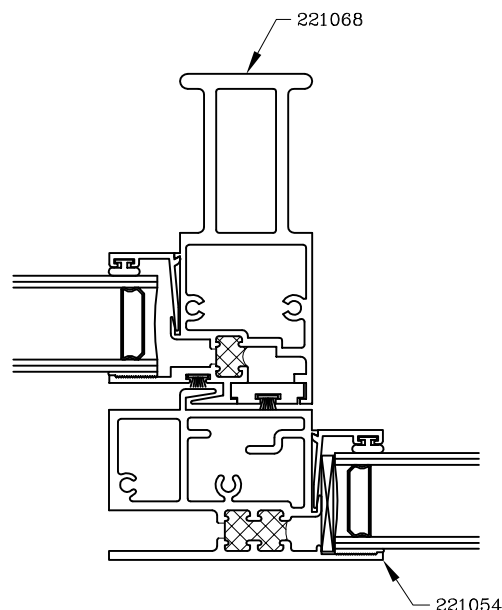
Manufacturing Code: 0211

Drawing 1/2 Scale – For Custom Size Drawing Contact Graham

Note: Sealant Not Shown On Details. Consult Technical Services At Factory For Sealing Procedures.



AW50



AW60