

Horizontal Slider - 4"

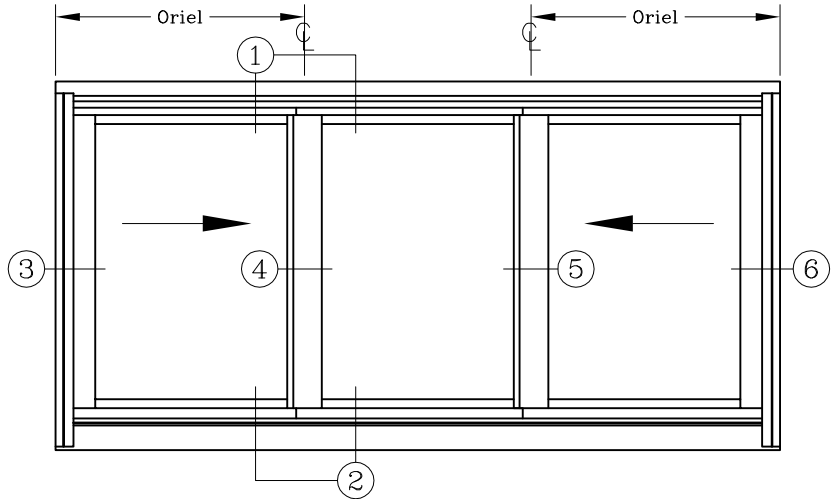
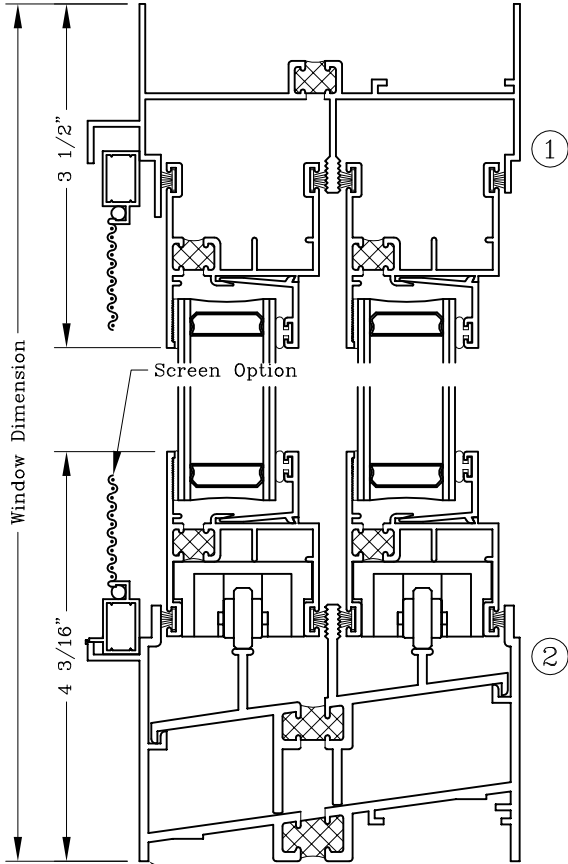


Series: 0200

Manufacturing Code: 0202

Drawing 1/2 Scale - For Custom Size Drawing Contact Graham

Note: Sealant Not Shown On Details. Consult Technical Services At Factory For Sealing Procedures.



ELEVATION
XOX - Shown

Optional Frames Available - Reference Frame Options Sheets
Starting at 02.08
Optional Meeting Rails Available - Reference Sheet 02.11

Equal Leg Sill Shown
Pan Leg Sill Available For Attached Panning Applications

