

Frame Options - 4" Head And Jamb

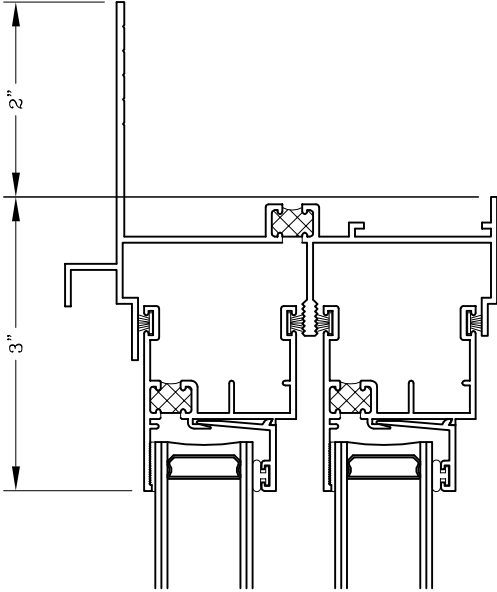


Series: 0200

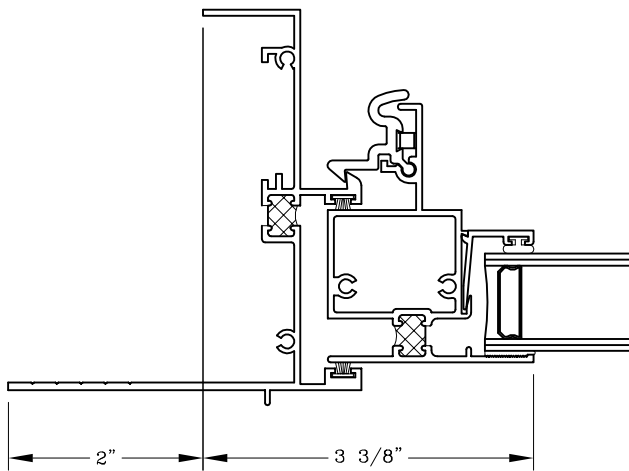
Manufacturing Code: 0208

Drawing 1/2 Scale - For Custom Size Drawing Contact Graham

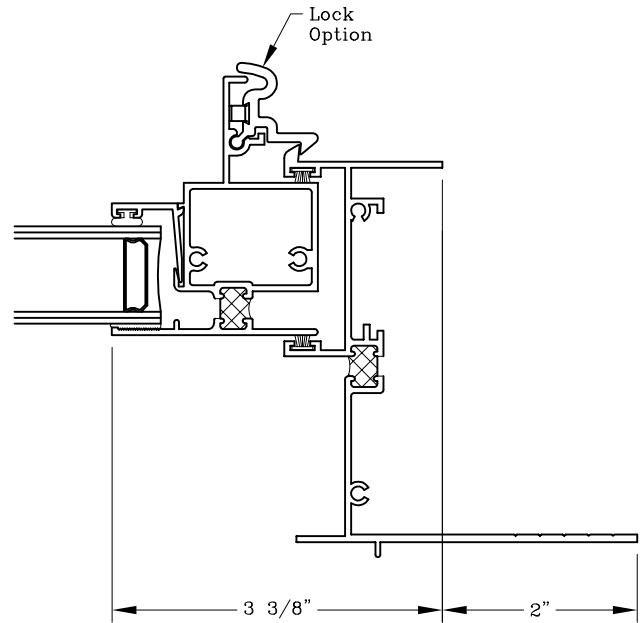
Note: Sealant Not Shown On Details. Consult Technical Services At Factory For Sealing Procedures.



2" Flange Frame - IG Head Shown
#021012



2" Flange Frame - IG Jamb Shown
OX Left Hand
#021038



2" Flange Frame - IG Jamb Shown
OX Right Hand
#021033