

Frame Options - 4" Sill

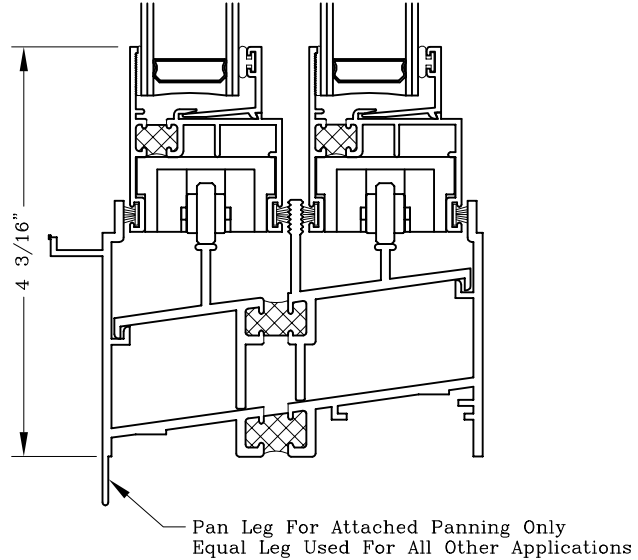
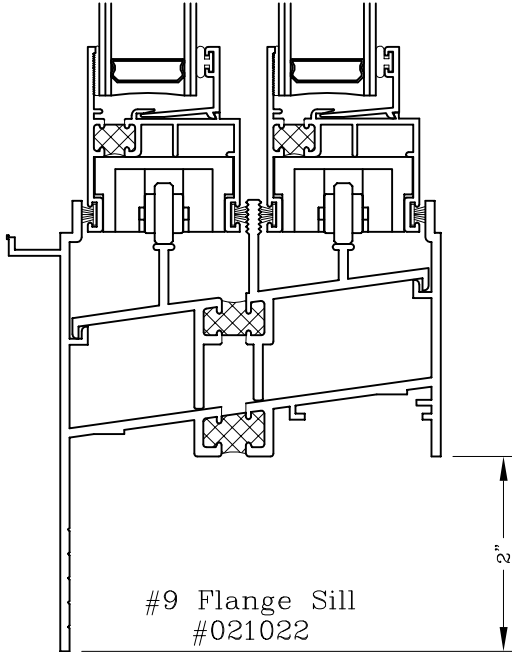


Series: 0200

Manufacturing Code: 0210

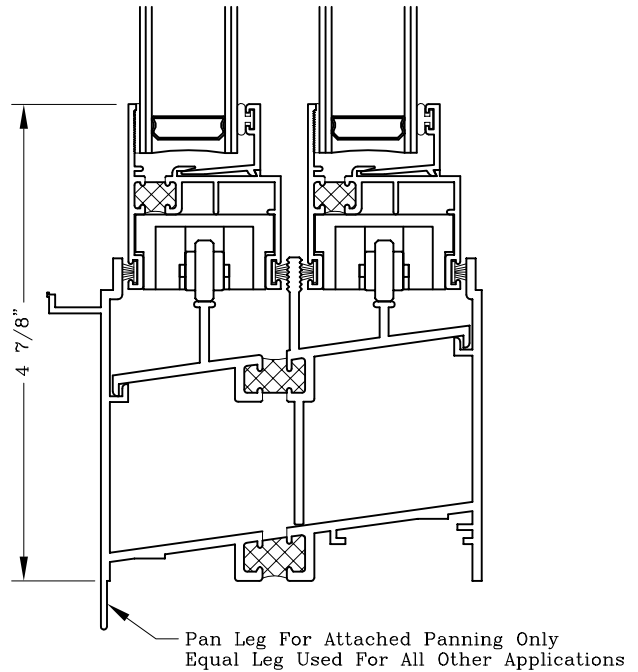
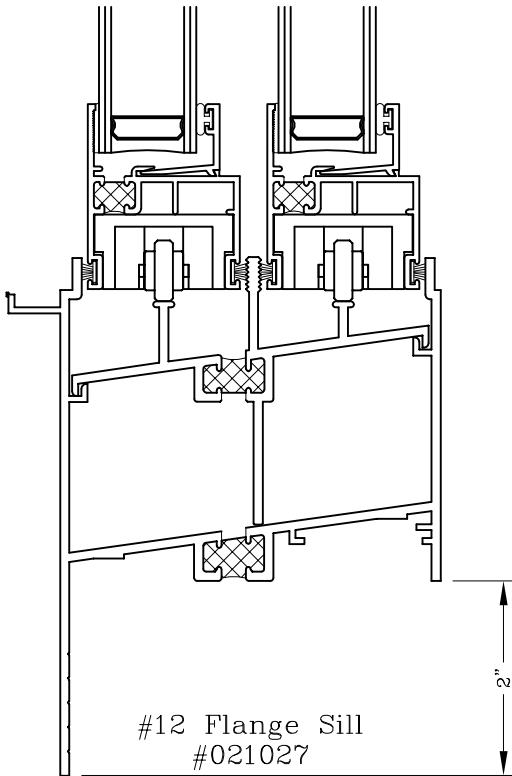
Drawing 1/2 Scale - For Custom Size Drawing Contact Graham

Note: Sealant Not Shown On Details. Consult Technical Services At Factory For Sealing Procedures.



#9 Pan Leg Sill #021020
#9 Equal Leg Sill #021021

(Does Not Meet AW Performance Requirements)



#12 Pan Sill #021025
#12 Equal Leg Sill #021026