

# Horizontal Slider – 3 1/4” W/O Screen Track

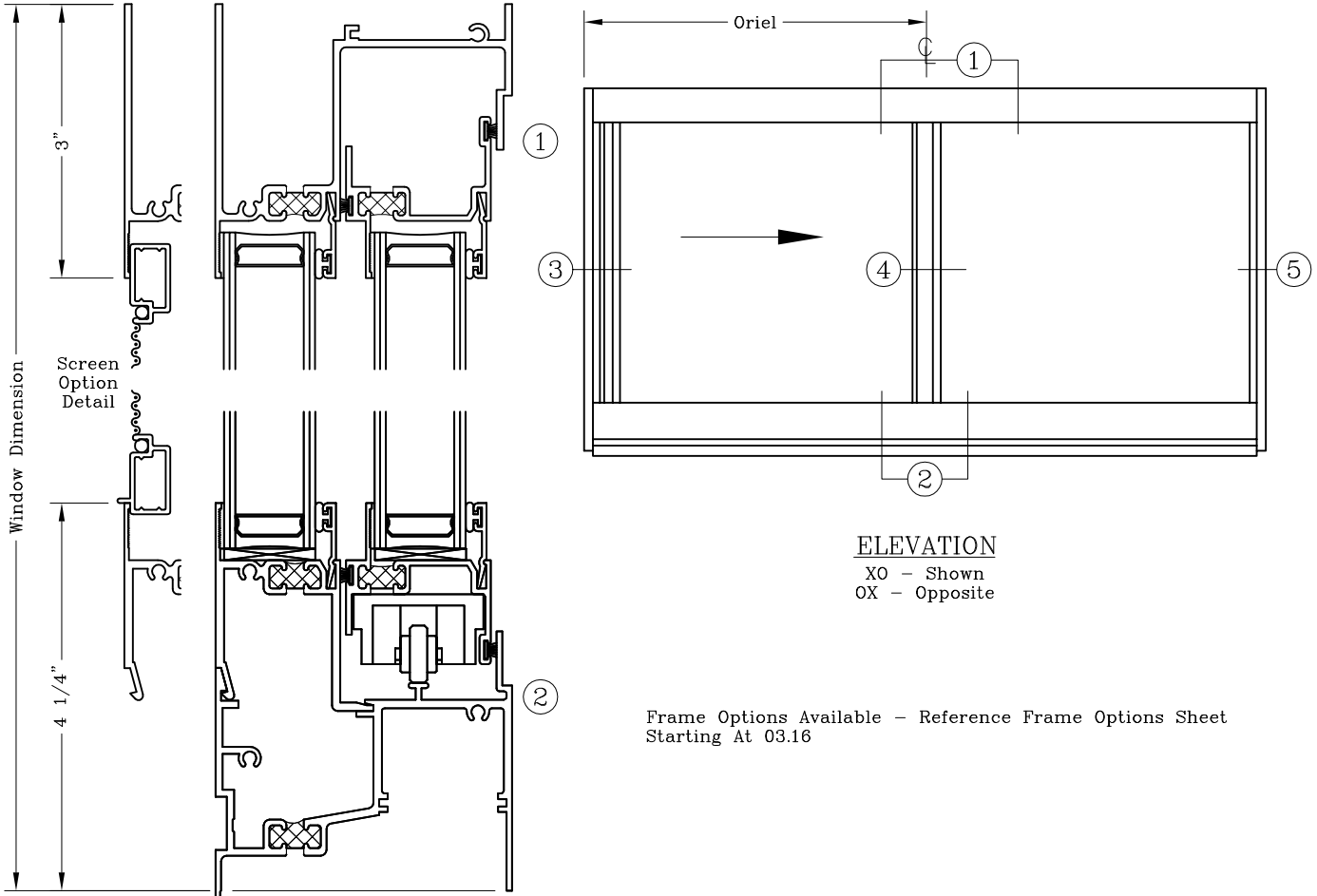


Series: 0300

Manufacturing Code: 0301

Drawing 1/2 Scale – For Custom Size Drawing Contact Graham

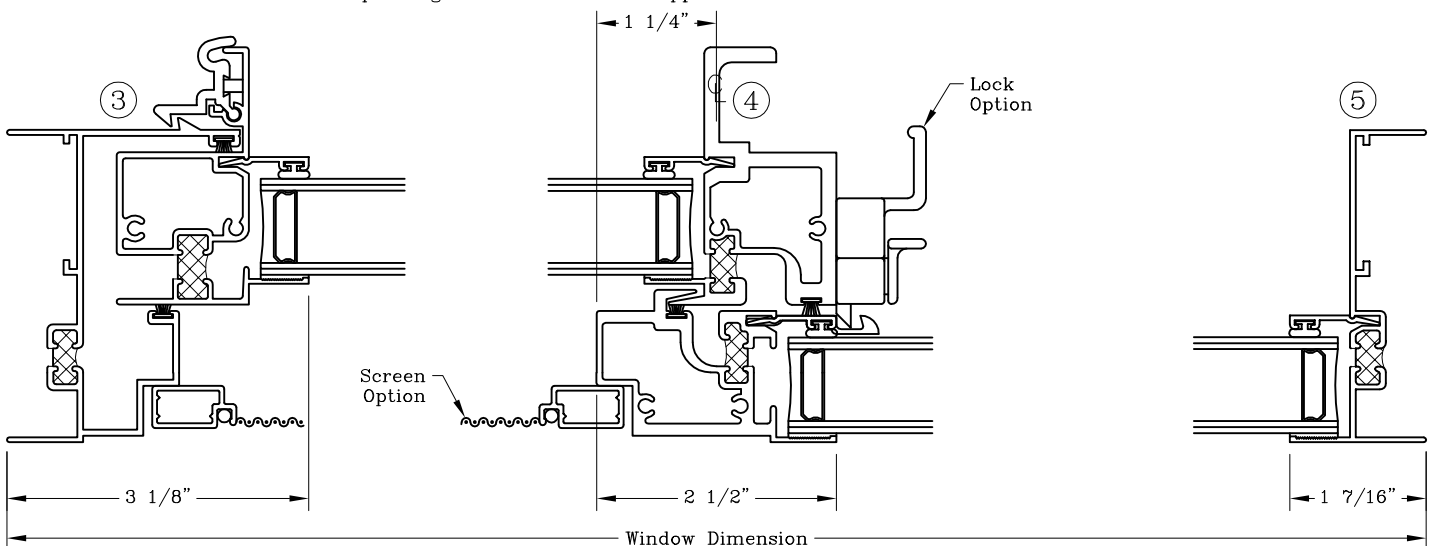
Note: Sealant Not Shown On Details. Consult Technical Services At Factory For Sealing Procedures.



ELEVATION  
XO – Shown  
OX – Opposite

Frame Options Available – Reference Frame Options Sheet Starting At 03.16

Pan Leg For Attached Panning Only  
Equal Leg Used For All Other Applications



# Horizontal Slider – 3 1/4” W/O Screen Track



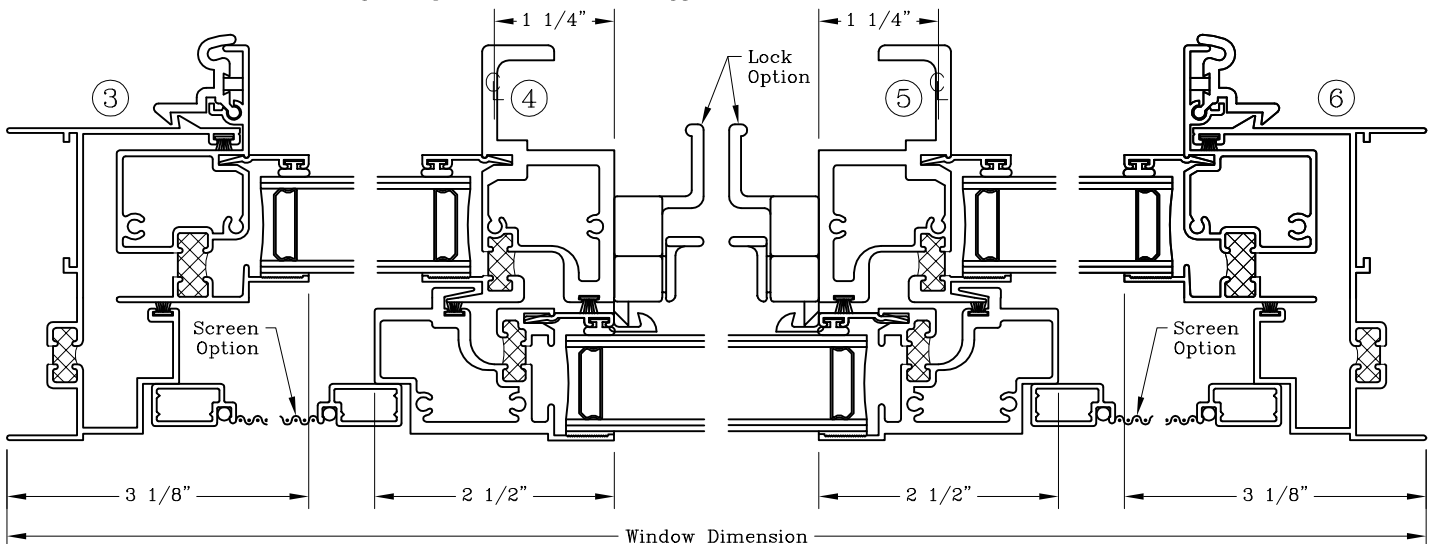
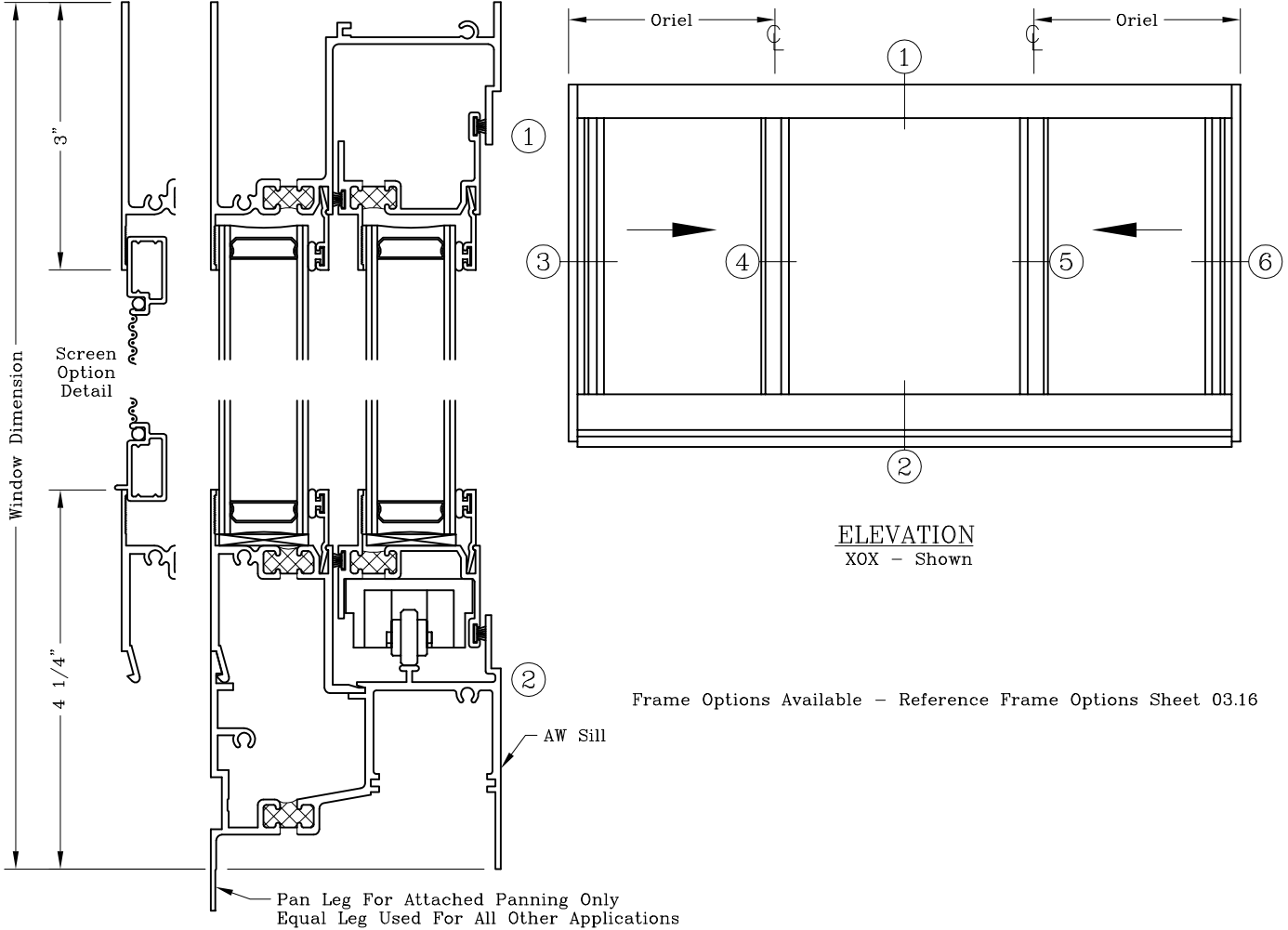
AW Option

Series: 0300

Manufacturing Code: 0302

Drawing 1/2 Scale – For Custom Size Drawing Contact Graham

Note: Sealant Not Shown On Details. Consult Technical Services At Factory For Sealing Procedures.



# Horizontal Slider – 3 1/4” With Screen Track

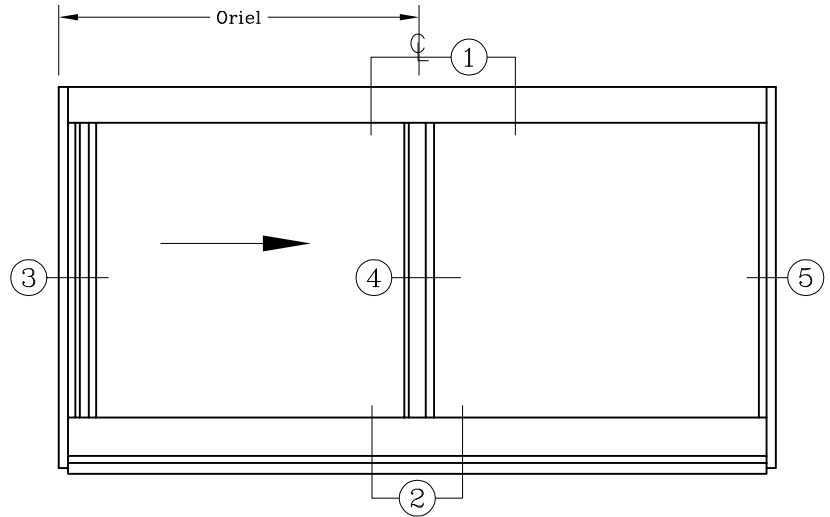
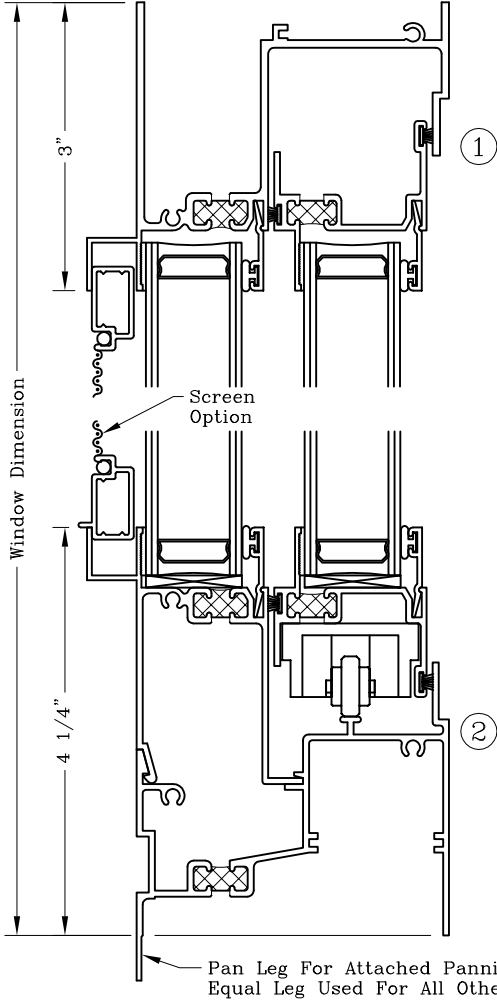


Series: 0300

Manufacturing Code: 0307

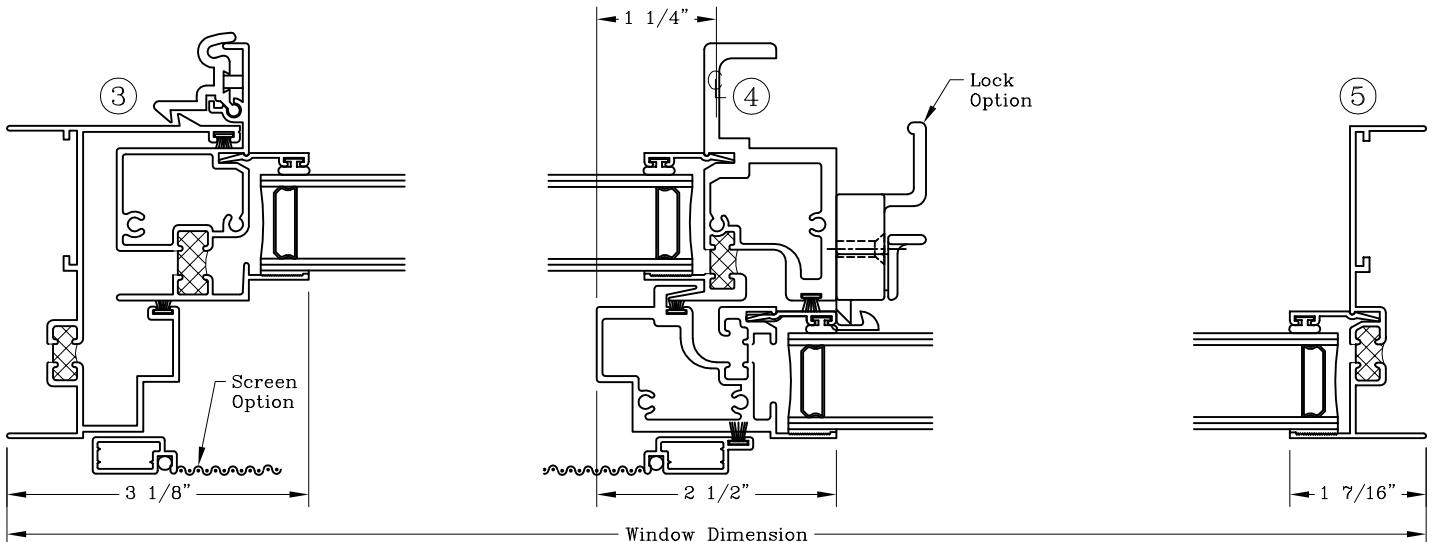
Drawing 1/2 Scale – For Custom Size Drawing Contact Graham

Note: Sealant Not Shown On Details. Consult Technical Services At Factory For Sealing Procedures.



ELEVATION  
XO – Shown  
OX – Opposite

Frame Options Available – Reference Frame Options Sheet 03.16



# Horizontal Slider – 3 1/4” With Screen Track HC Sill

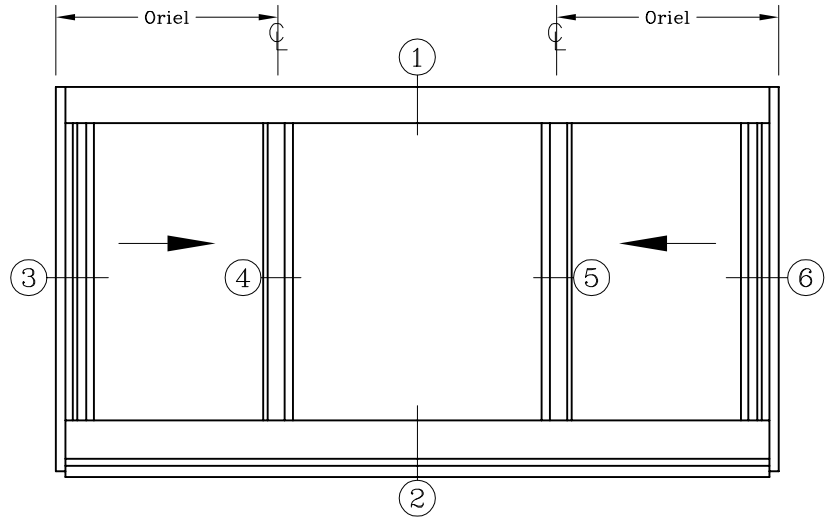
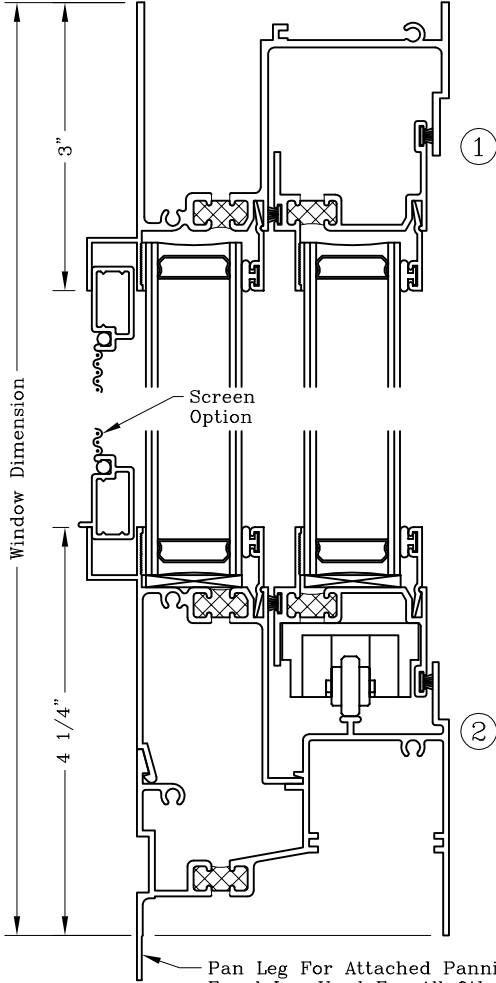


Series: 0300

Manufacturing Code: 0309

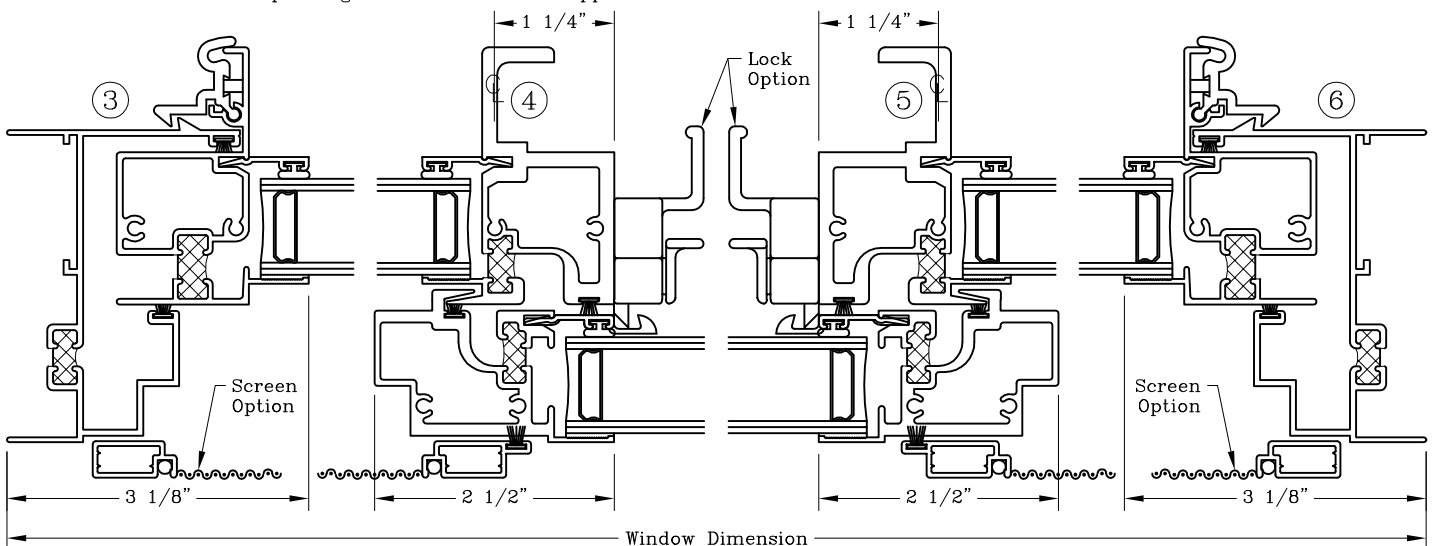
Drawing 1/2 Scale – For Custom Size Drawing Contact Graham

Note: Sealant Not Shown On Details. Consult Technical Services At Factory For Sealing Procedures.



ELEVATION  
XOX – Shown

Frame Options Available – Reference Frame Options Sheet Starting At 03.16



# Frame Options – 3 1/4” Glazing Options

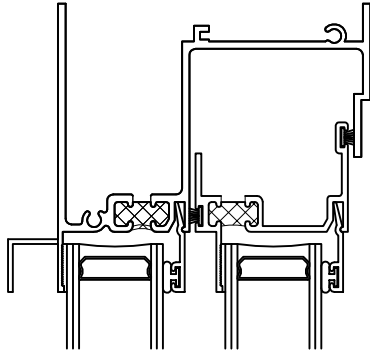


Series: 0300

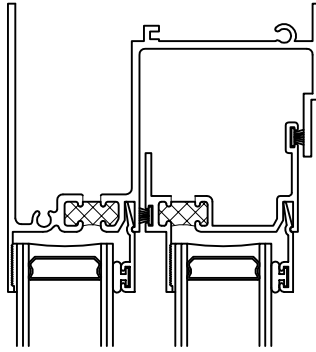
Manufacturing Code: 0316

Drawing 1/2 Scale – For Custom Size Drawing Contact Graham

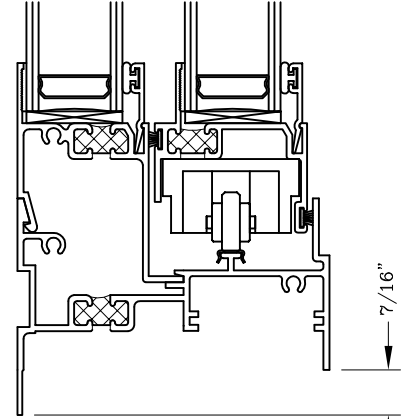
Note: Sealant Not Shown On Details. Consult Technical Services At Factory For Sealing Procedures.



Head  
w/ Screen  
#030014

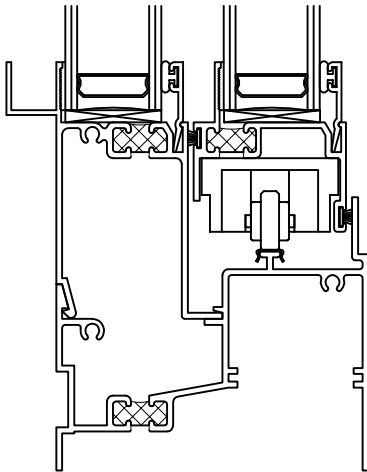


Head  
w/o Screen  
#030010

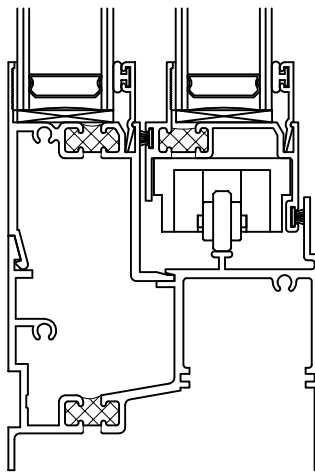


Low Sill Panning Leg  
#030026

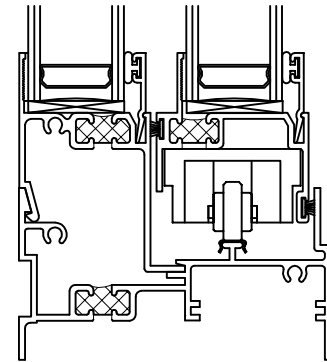
7/16"



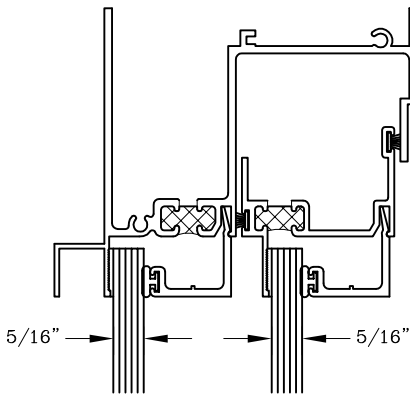
HC Sill Equal Leg  
#030021



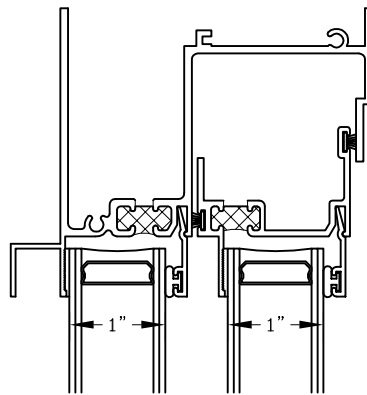
AW Sill Equal Leg  
#030121



Low Sill Equal Leg  
#030025



5/16" Glazing Option



IG Glazing Option

**Note:**

Additional Glazing Beads Available For 1/4", 5/16", 7/16", 1/2", 5/8" & 3/4".  
Contact Factory For Details.

# Frame Options - 3 1/4"

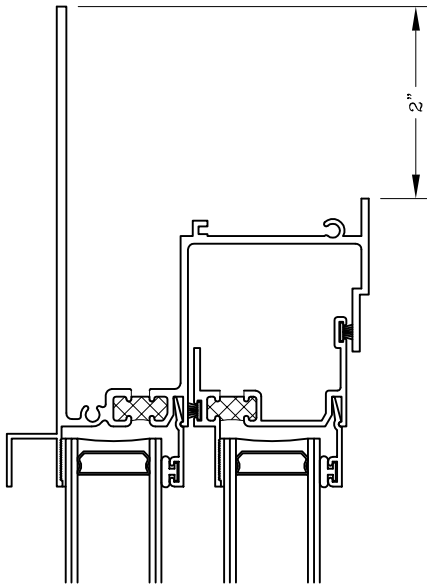


Series: 0300

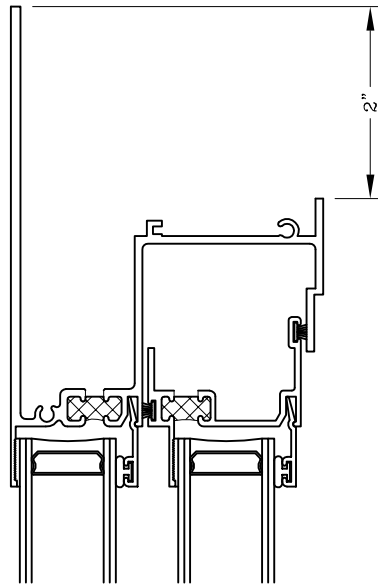
Manufacturing Code: 0317

Drawing 1/2 Scale - For Custom Size Drawing Contact Graham

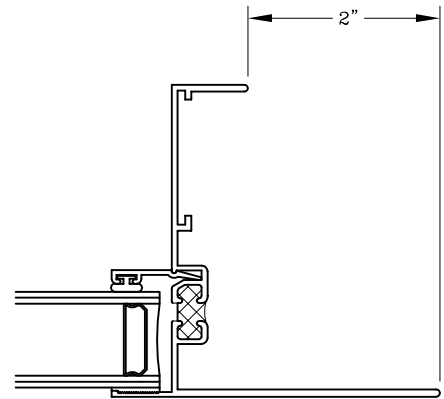
Note: Sealant Not Shown On Details. Consult Technical Services At Factory For Sealing Procedures.



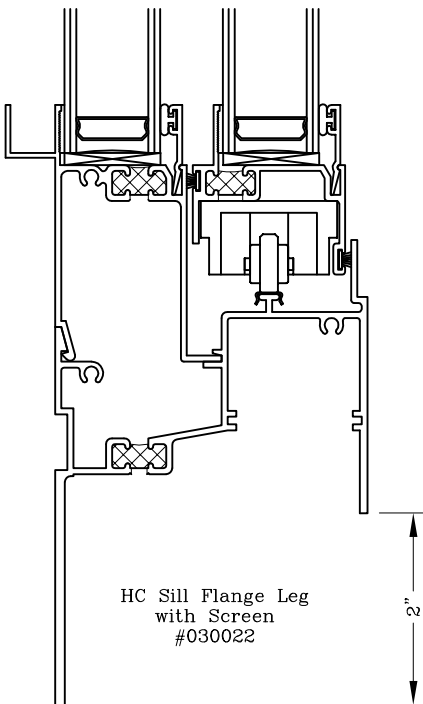
Flange Leg Head  
w/ Screen  
#030015



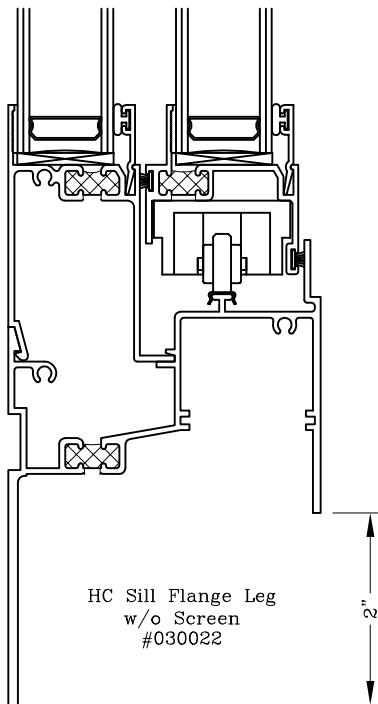
Flange Leg Head  
w/o Screen  
#030012



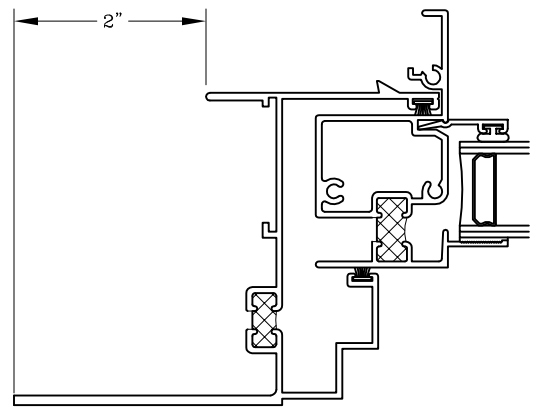
Non Operating Vent  
Flange Frame  
#200013



HC Sill Flange Leg  
with Screen  
#030022



HC Sill Flange Leg  
w/o Screen  
#030022



Operating Vent  
Flange Frame  
#030033