

Fixed - Historic Narrow - 3 1/4"

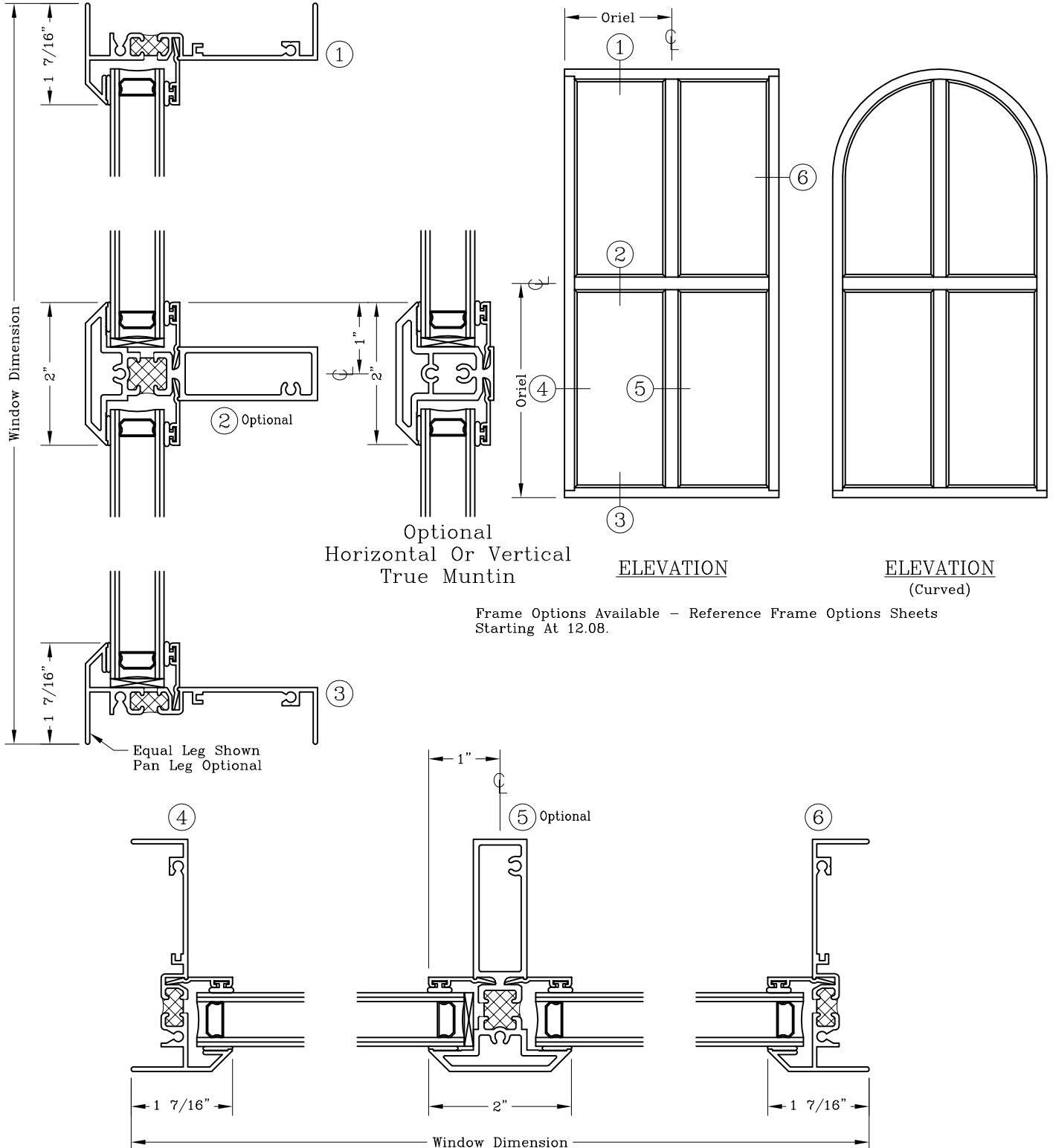


Series: 1200

Manufacturing Code: 1201

Drawing 1/2 Scale - For Custom Size Drawing Contact Graham

Note: Sealant Not Shown On Details. Consult Technical Services At Factory For Sealing Procedures.



Optional
Horizontal Or Vertical
True Muntin

ELEVATION

ELEVATION
(Curved)

Frame Options Available - Reference Frame Options Sheets
Starting At 12.08.

Fixed - Historic Wide - 3 1/4"

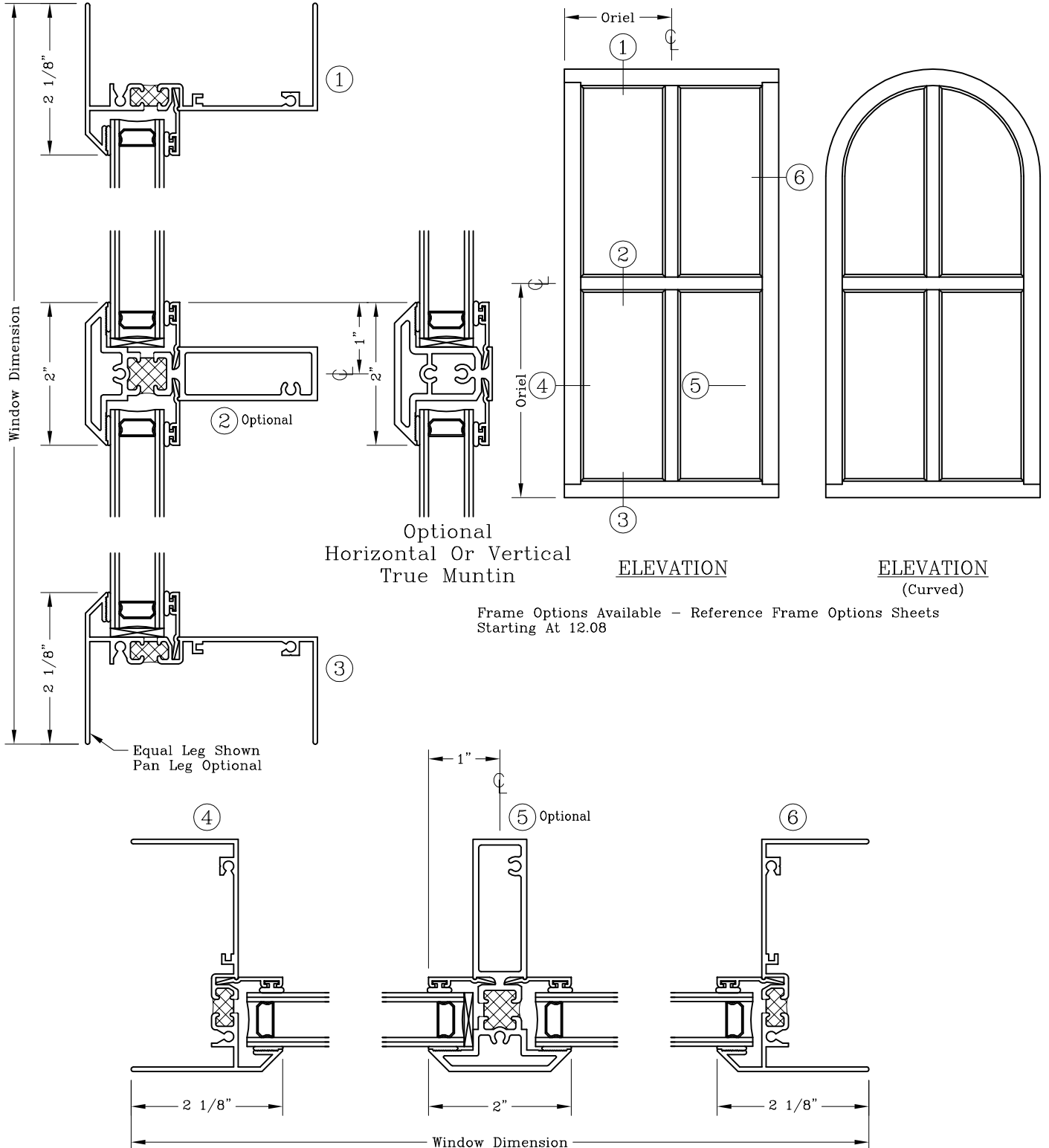


Series: 1200

Manufacturing Code: 1202

Drawing 1/2 Scale - For Custom Size Drawing Contact Graham

Note: Sealant Not Shown On Details. Consult Technical Services At Factory For Sealing Procedures.



Optional
Horizontal Or Vertical
True Muntin

ELEVATION

ELEVATION
(Curved)

Frame Options Available - Reference Frame Options Sheets
Starting At 12.08

Fixed - Flat - 3 1/4"

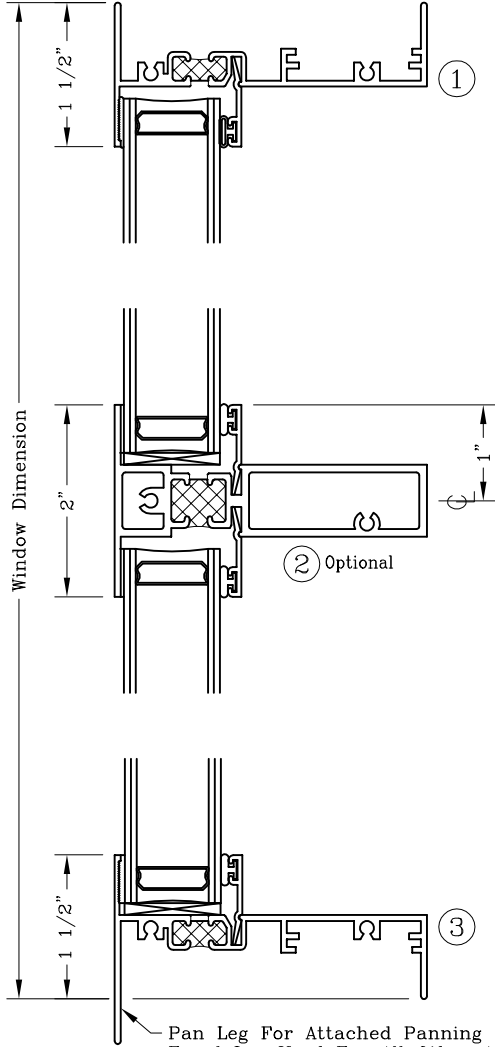


Series: 1200

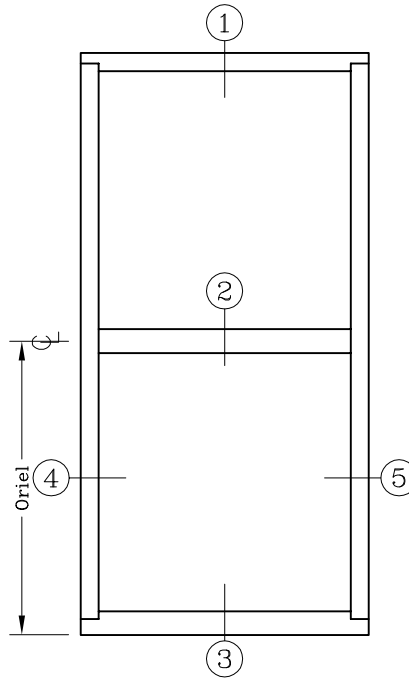
Manufacturing Code: 1203

Drawing 1/2 Scale - For Custom Size Drawing Contact Graham

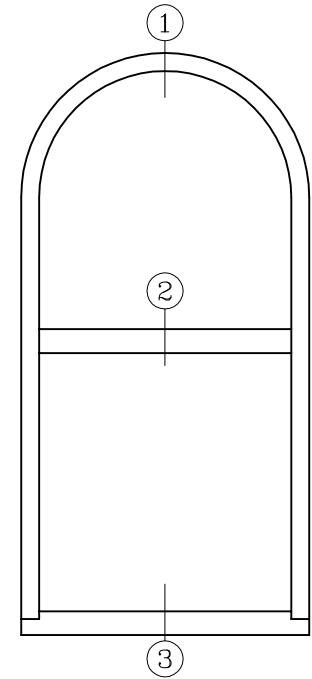
Note: Sealant Not Shown On Details. Consult Technical Services At Factory For Sealing Procedures.



Pan Leg For Attached Panning Only
Equal Leg Used For All Other Applications

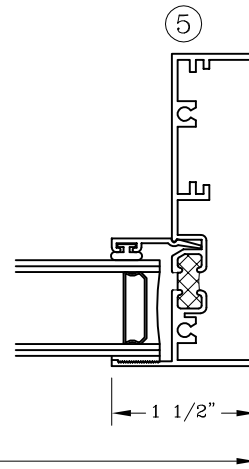
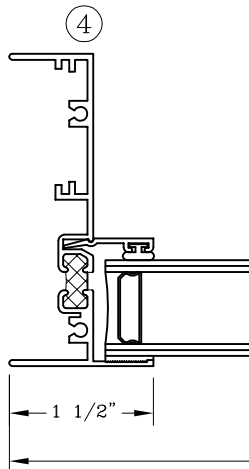


ELEVATION



ELEVATION
(Curved)

Frame Options Available - Reference Frame Options Sheets
Starting At 12.08



Window Dimension

Fixed Flat Offset – 3 1/4"

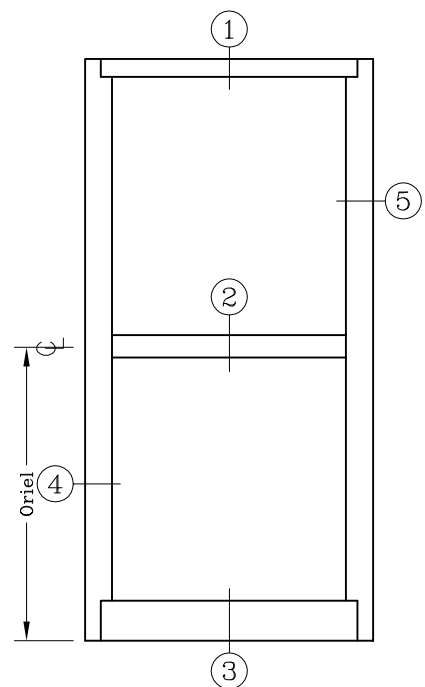
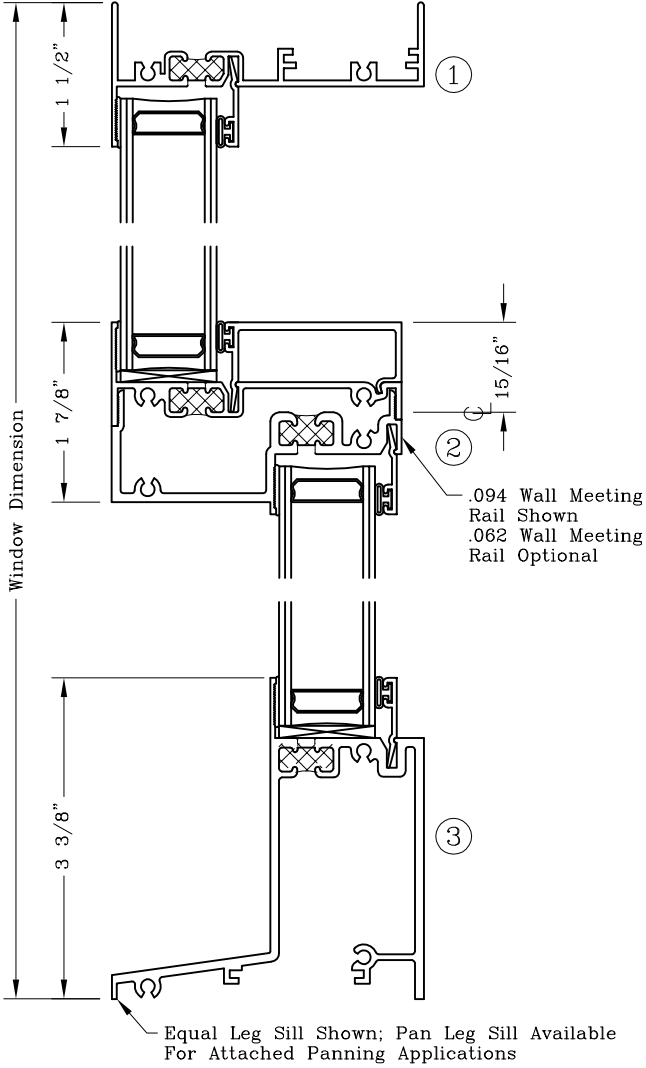


Series: 1200

Manufacturing Code: 1206

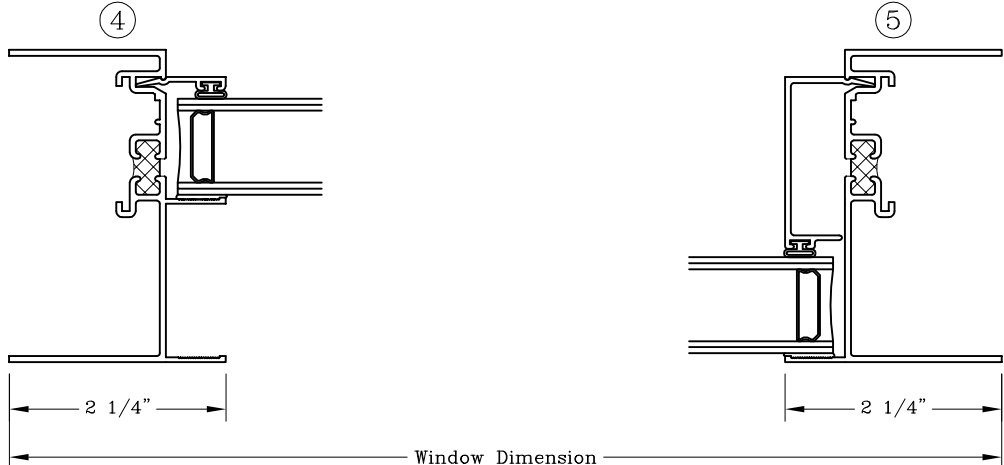
Drawing 1/2 Scale – For Custom Size Drawing Contact Graham

Note: Sealant Not Shown On Details. Consult Technical Services At Factory For Sealing Procedures.



ELEVATION

Frame Options Available – Reference Frame Options Sheets 12.10



Frame Options – 3 1/4” Historic

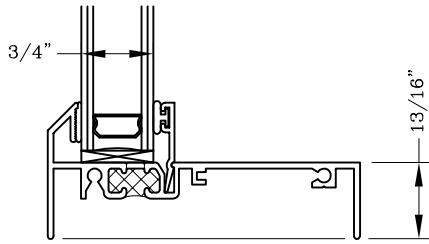


Series: 1200

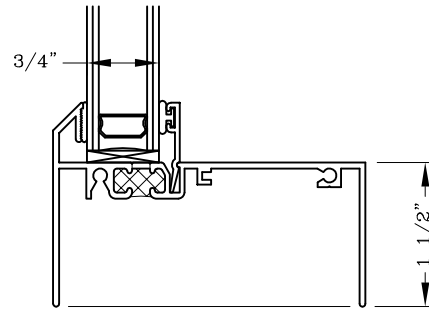
Manufacturing Code: 1208

Drawing 1/2 Scale – For Custom Size Drawing Contact Graham

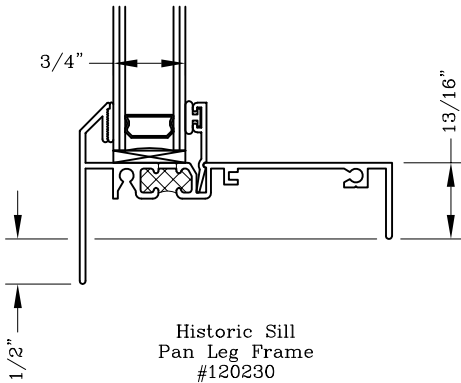
Note: Sealant Not Shown On Details. Consult Technical Services At Factory For Sealing Procedures.



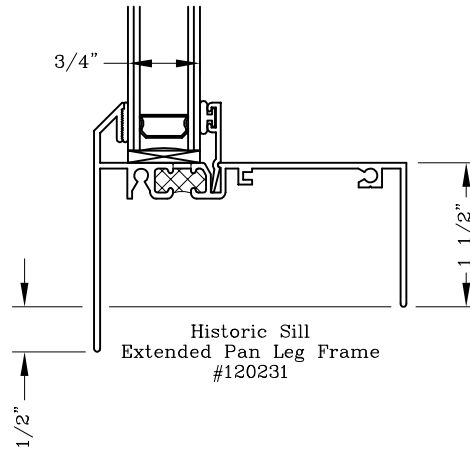
Historic Sill
Equal Leg Frame
#200310



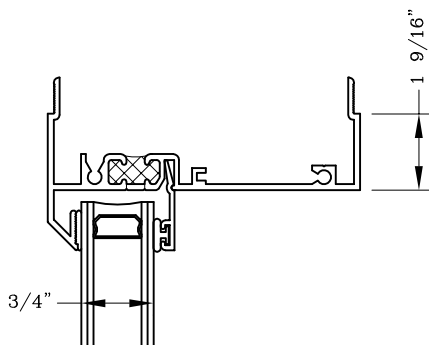
Historic Sill
Extended Leg Frame
#200315



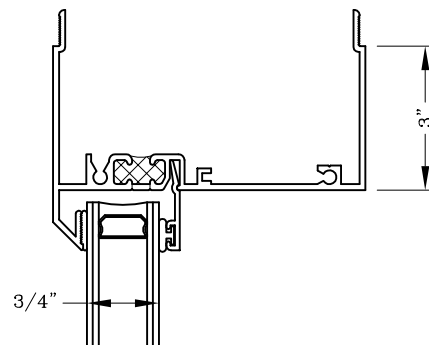
Historic Sill
Pan Leg Frame
#120230



Historic Sill
Extended Pan Leg Frame
#120231



Historic Head
Self-Mull Frame
#200311



Historic Head
Extended Self-Mull Frame
#200316

Frame Options – 3 1/4” Flat

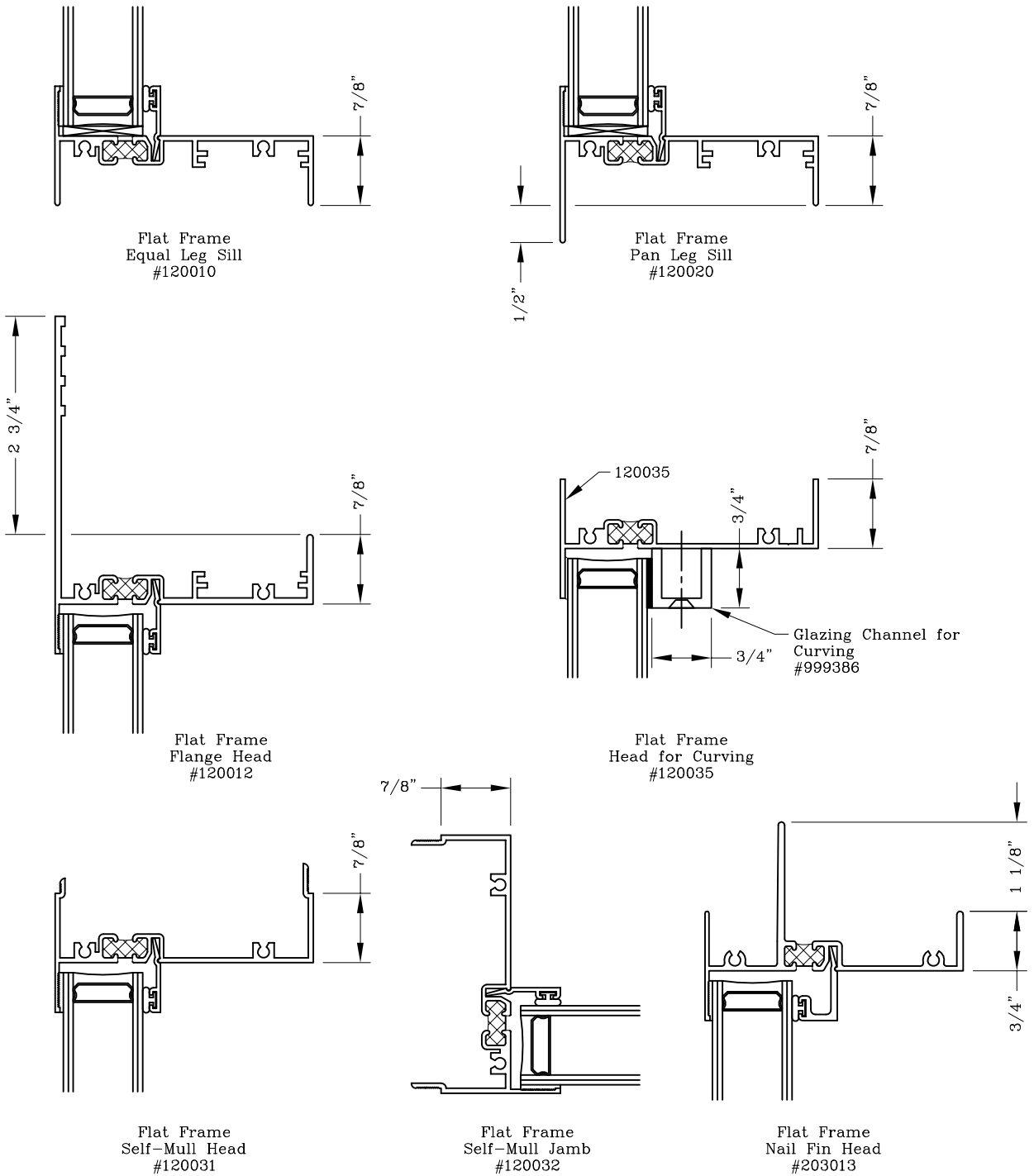


Series: 1200

Manufacturing Code: 1209

Drawing 1/2 Scale – For Custom Size Drawing Contact Graham

Note: Sealant Not Shown On Details. Consult Technical Services At Factory For Sealing Procedures.



Frame Options – 3 1/4” Offset

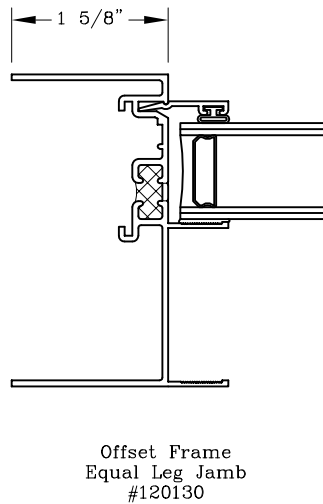
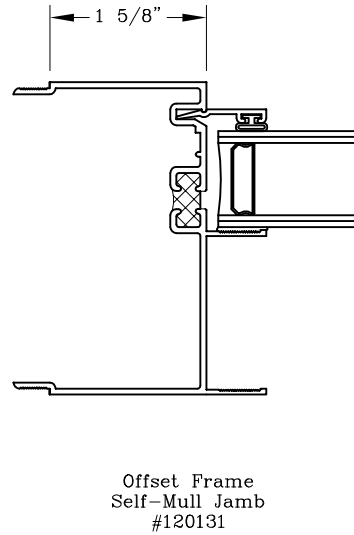
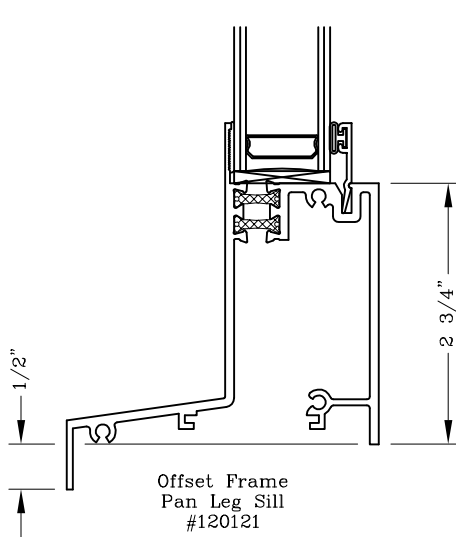


Series: 1200

Manufacturing Code: 1210

Drawing 1/2 Scale – For Custom Size Drawing Contact Graham

Note: Sealant Not Shown On Details. Consult Technical Services At Factory For Sealing Procedures.



Glazing Options – 3 1/4” Flat & Historic



Series: 1200

Manufacturing Code: 1211

Drawing 1/2 Scale – For Custom Size Drawing Contact Graham

Note: Sealant Not Shown On Details. Consult Technical Services At Factory For Sealing Procedures.

