

Fixed - Historic Wide - 3 1/4"

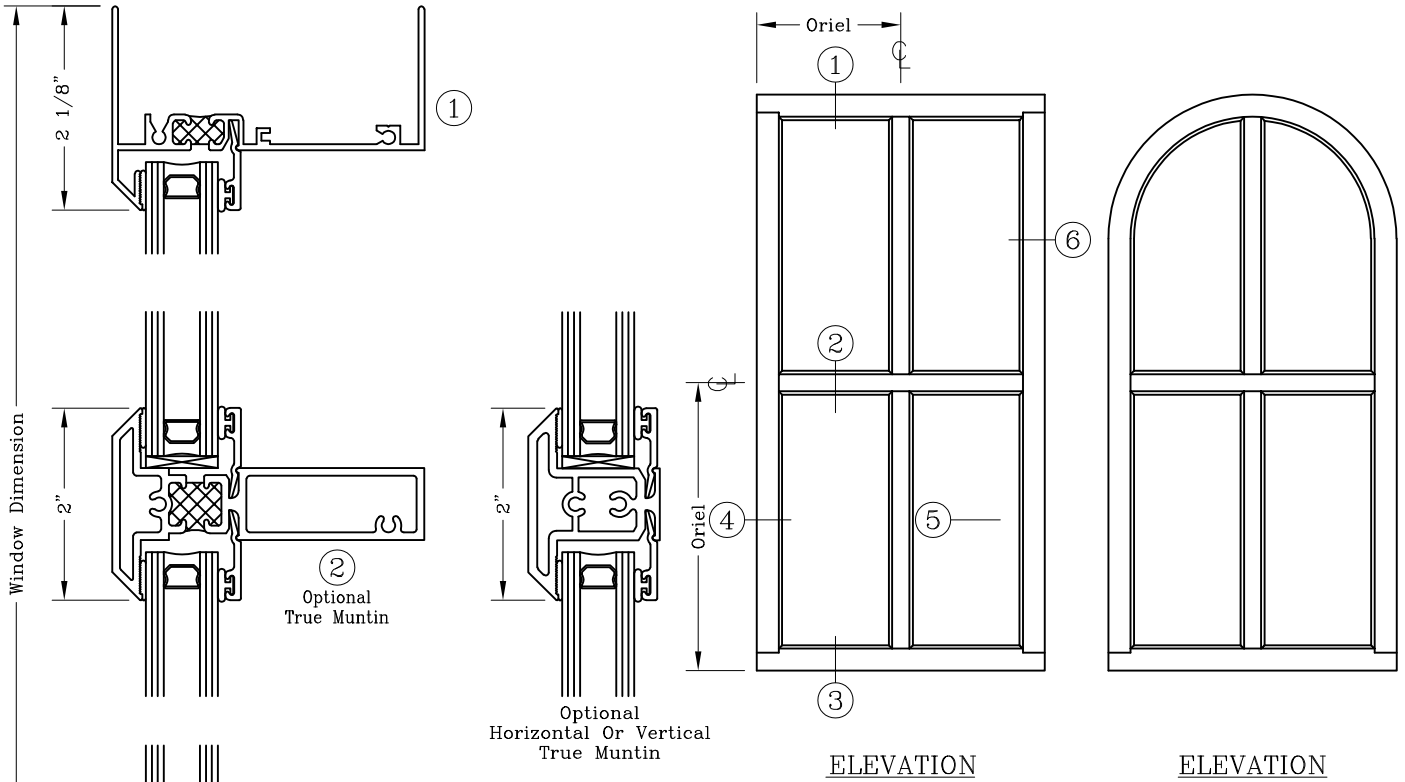


Series: 1200H

Manufacturing Code: 1202

Drawing 1/2 Scale - For Custom Size Drawing Contact Graham

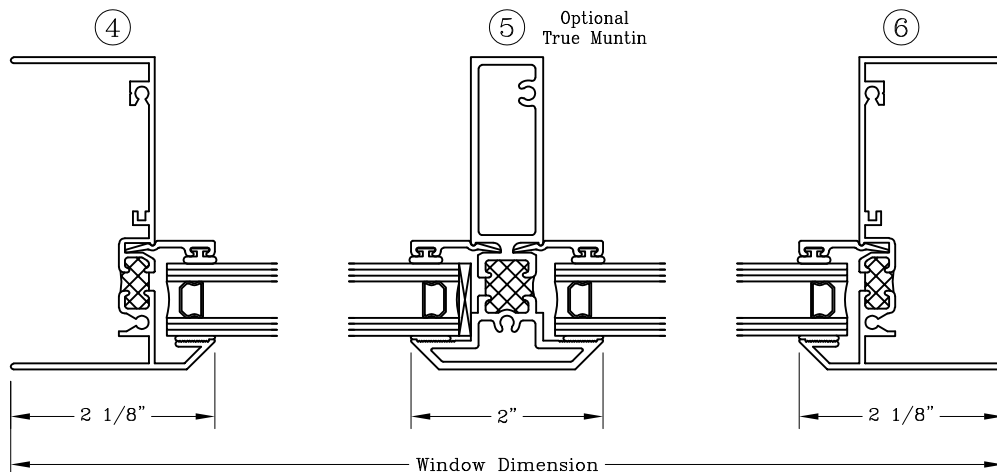
Note: Sealant Not Shown On Details. Refer To General Installation Instructions.



ELEVATION

ELEVATION
(Curved)

Frame Options Available - Reference Frame Options Sheet 12.08



Graham Architectural Products reserves the right to change, add, cancel, remove or otherwise modify the details illustrated without prior notice.

1551 Mt. Rose Avenue, York, Pennsylvania 17403-2909 717.849.8100 Toll Free: 800/755-6274

Web Site: www.grahamwindows.com