

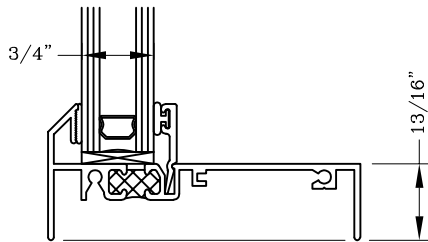
Frame Options – 3 1/4” Historic



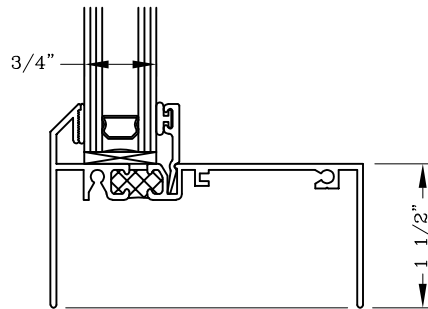
Series: 1200H Manufacturing Code: 1208

Drawing 1/2 Scale – For Custom Size Drawing Contact Graham

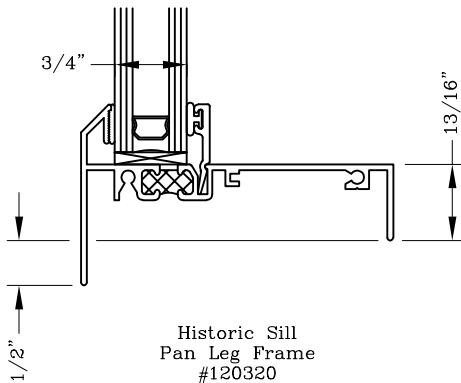
Note: Sealant Not Shown On Details. Refer To General Installation Instructions.



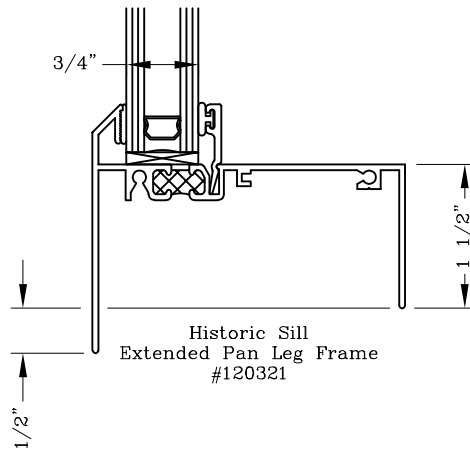
Historic Sill
Equal Leg Frame
#200310



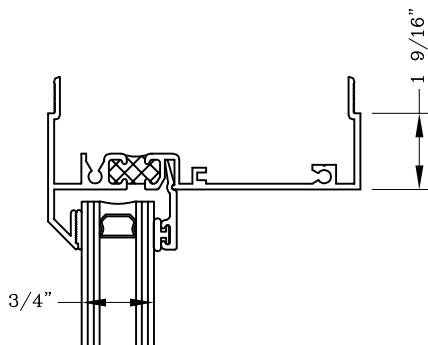
Historic Sill
Extended Leg Frame
#200315



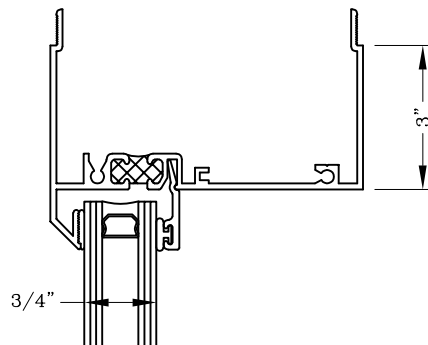
Historic Sill
Pan Leg Frame
#120320



Historic Sill
Extended Pan Leg Frame
#120321



Historic Head
Self-Mull Frame
#200311



Historic Head
Extended Self-Mull Frame
#200316

Graham Architectural Products reserves the right to change, add, cancel, remove or otherwise modify the details illustrated without prior notice.

1551 Mt. Rose Avenue, York, Pennsylvania 17403-2909 717.849.8100 Toll Free: 800/755-6274

Web Site: www.grahamwindows.com

0123 – 12.08