

Frame Options – 3 1/4” Flat

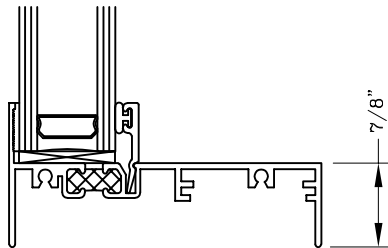


Series: 1200

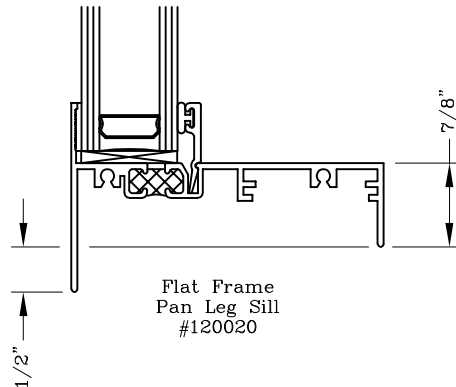
Manufacturing Code: 1209

Drawing 1/2 Scale – For Custom Size Drawing Contact Graham

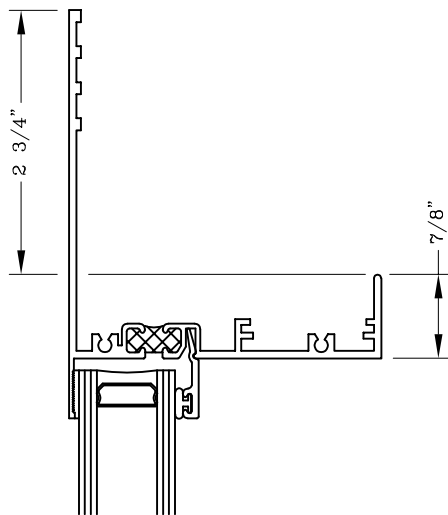
Note: Sealant Not Shown On Details. Refer To General Installation Instructions.



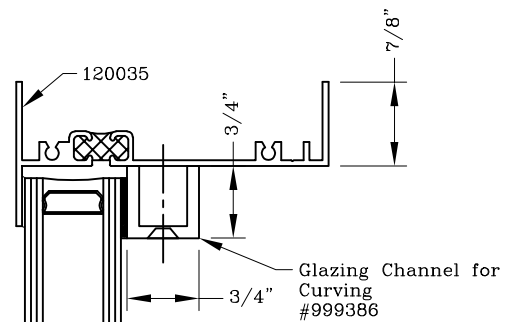
Flat Frame
Equal Leg Sill
#120010



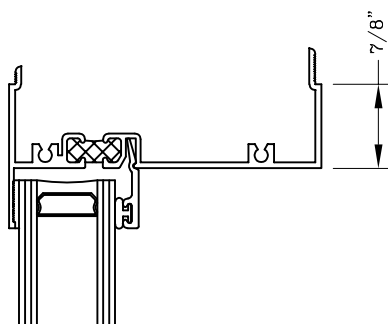
Flat Frame
Pan Leg Sill
#120020



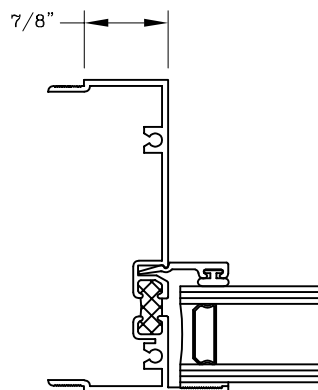
Flat Frame
Flange Head
#120012



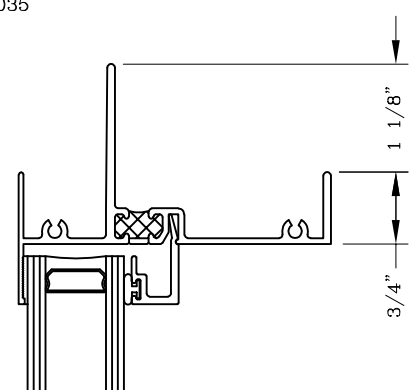
Flat Frame
Head for Curving
#120035



Flat Frame
Self-Mull Head
#120031



Flat Frame
Self-Mull Jamb
#120032



Flat Frame
Nail Fin Head
#203013

Graham Architectural Products reserves the right to change, add, cancel, remove or otherwise modify the details illustrated without prior notice.

1551 Mt. Rose Avenue, York, Pennsylvania 17403-2909 717.849.8100 Toll Free: 800/755-6274

Web Site: www.grahamwindows.com

0123 – 12.09