

Fixed Historic Offset – 3 1/4"

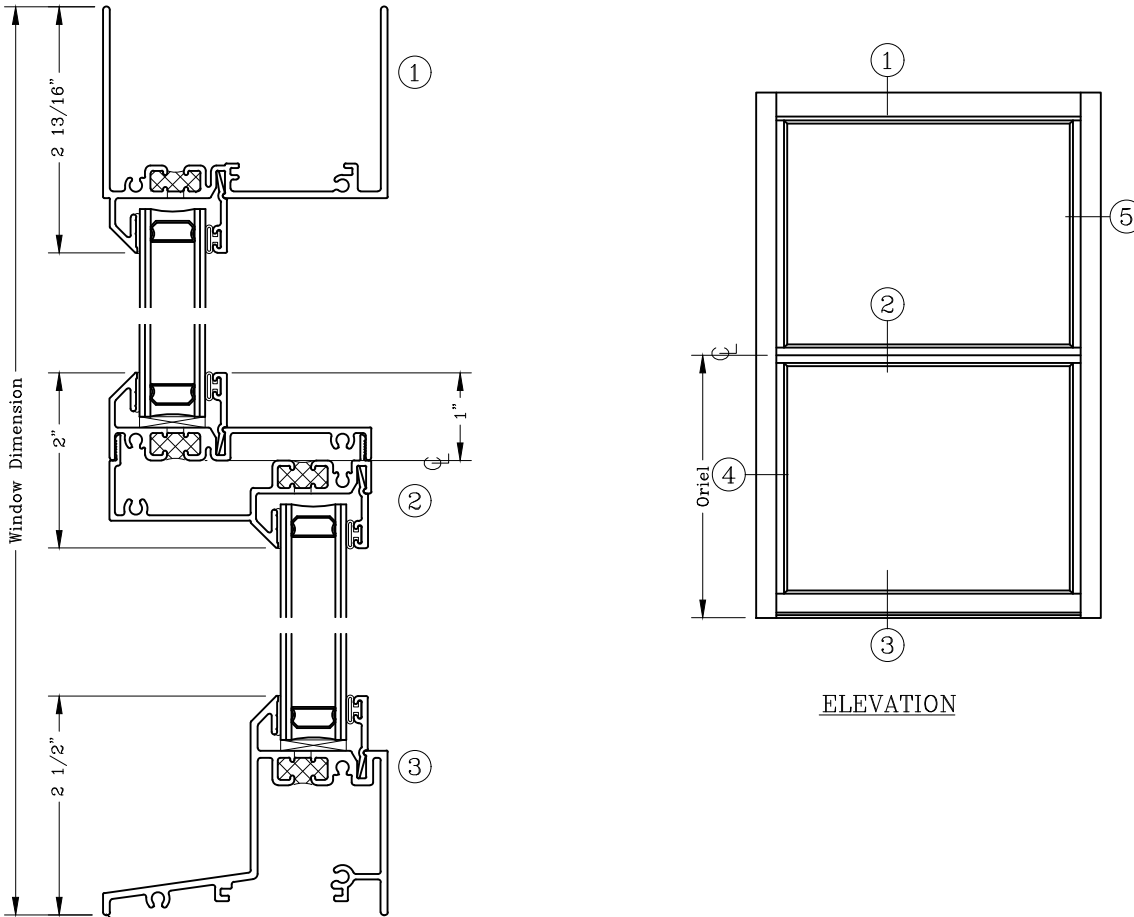


Series: 1200

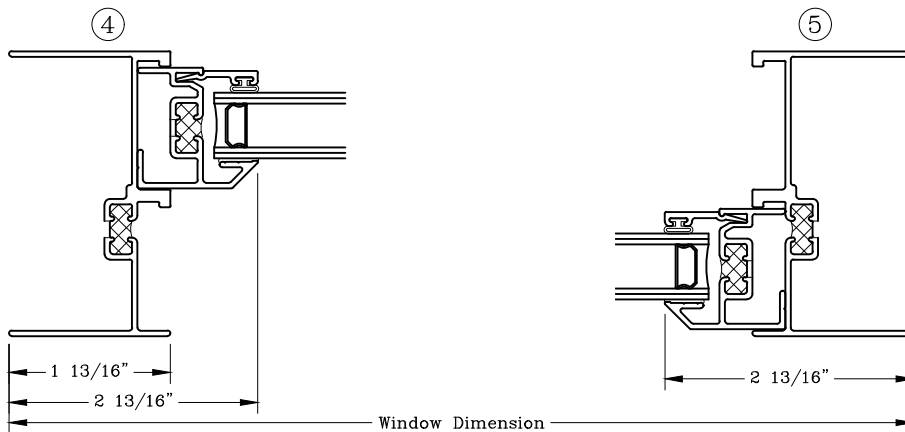
Manufacturing Code: 1213

Drawing 1/2 Scale – For Custom Size Drawing Contact Graham

Note: Sealant Not Shown On Details. Refer To General Installation Instructions.



Equal Leg Sill Shown; Pan Leg Sill Available For Attached Panning Applications



Graham Architectural Products reserves the right to change, add, cancel, remove or otherwise modify the details illustrated without prior notice.

1551 Mt. Rose Avenue, York, Pennsylvania 17403-2909 800/755-6274 Fax: 800/366-5097
 Web Site: www.grahamwindows.com

0920 – 12.13