

Fixed – Historic Narrow – 3 1/4"

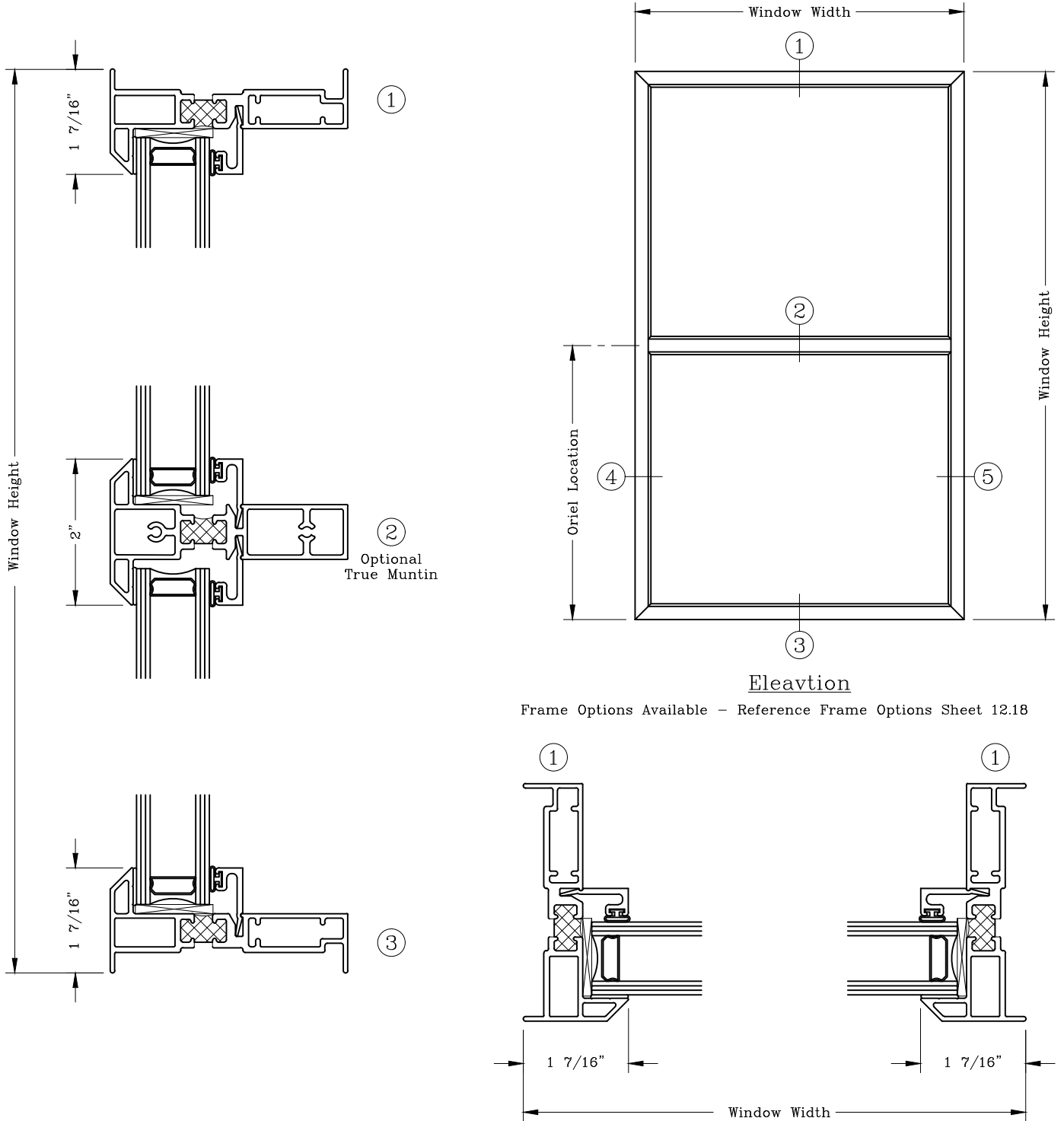


Series: 1200HP

Manufacturing Code: 1215

Drawing 1/2 Scale – For Custom Size Drawing Contact Graham

Note: Sealant Not Shown On Details. Refer To General Installation Instructions.



Frame Options Available – Reference Frame Options Sheet 12.18

Graham Architectural Products reserves the right to change, add, cancel, remove or otherwise modify the details illustrated without prior notice.

1551 Mt. Rose Avenue, York, Pennsylvania 17403-2909 800/755-6274 Fax: 800/366-5097

0322 – 12.15

Web Site: www.grahamwindows.com