

Fixed Flat Offset - 3 1/4"

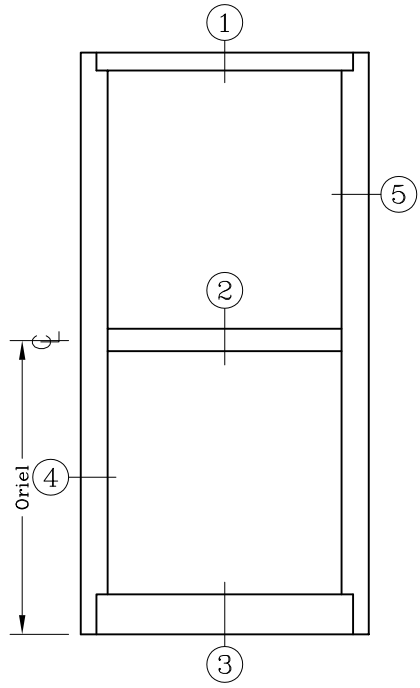
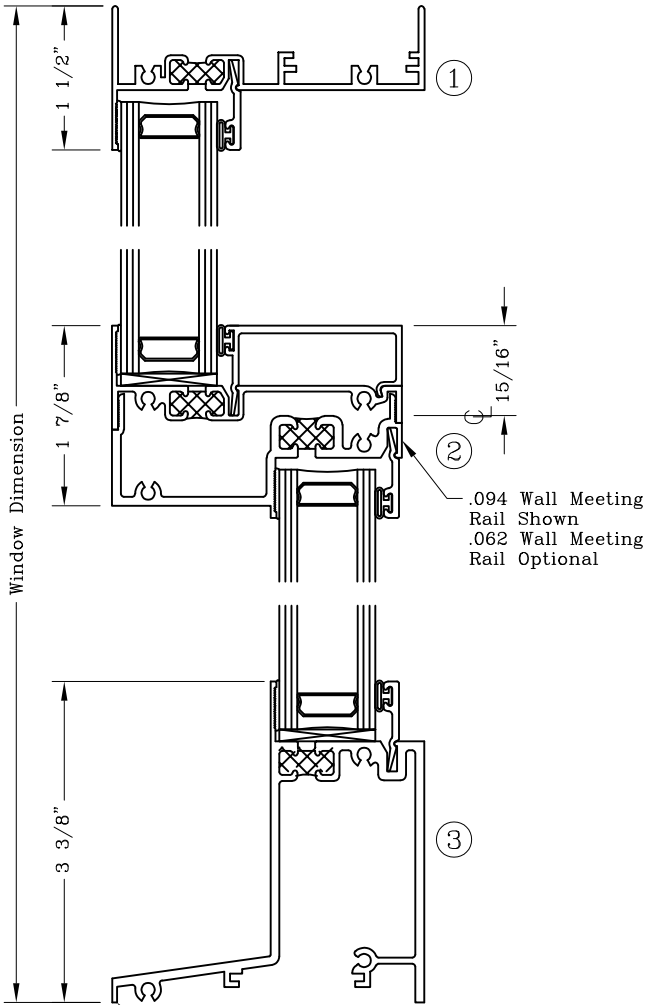


Series: 1200

Manufacturing Code: 1220

Drawing 1/2 Scale - For Custom Size Drawing Contact Graham

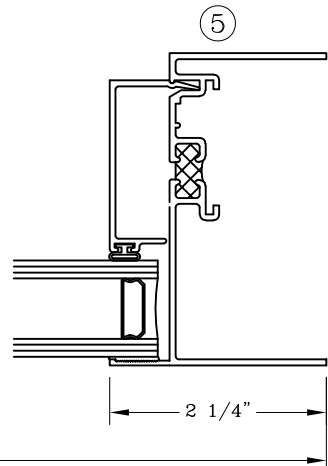
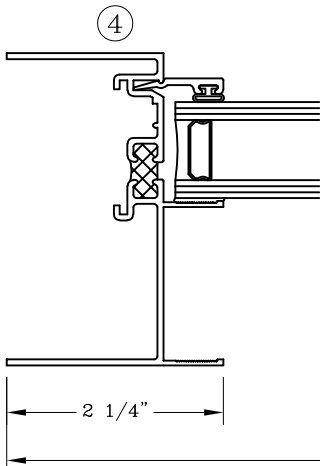
Note: Sealant Not Shown On Details. Refer To General Installation Instructions.



ELEVATION

Frame Options Available - Reference Frame Options Sheets 12.10

Equal Leg Sill Shown; Pan Leg Sill Available For Attached Panning Applications



Graham Architectural Products reserves the right to change, add, cancel, remove or otherwise modify the details illustrated without prior notice.

1551 Mt. Rose Avenue, York, Pennsylvania 17403-2909 717.849.8100 Toll Free: 800/755-6274

Web Site: www.grahamwindows.com