

Frame Options – 3 1/4” Flat Offset

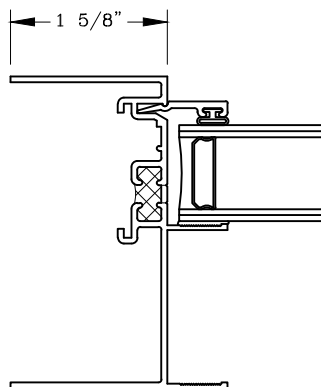
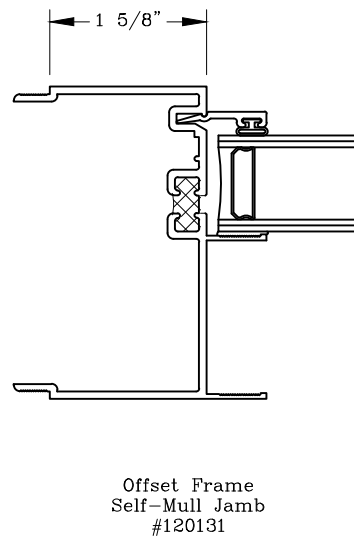
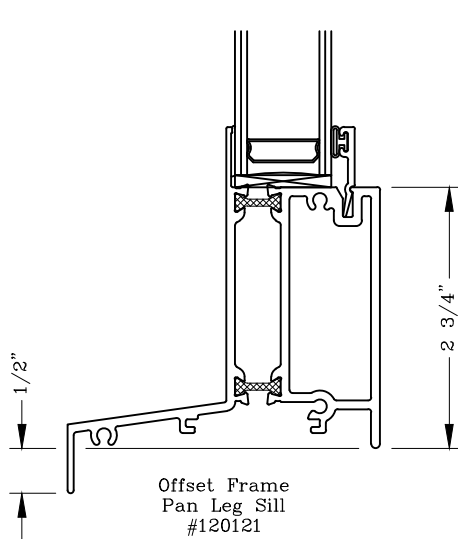


Series: 1200

Manufacturing Code: 1221

Drawing 1/2 Scale – For Custom Size Drawing Contact Graham

Note: Sealant Not Shown On Details. Refer To General Installation Instructions.



Offset Frame
Equal Leg Jamb
#120130

Graham Architectural Products reserves the right to change, add, cancel, remove or otherwise modify the details illustrated without prior notice.

1551 Mt. Rose Avenue, York, Pennsylvania 17403-2909 800/755-6274 Fax: 800/366-5097

0322 – 12.21

Web Site: www.grahamwindows.com