

Frame Options – 3 1/4” Flat Offset

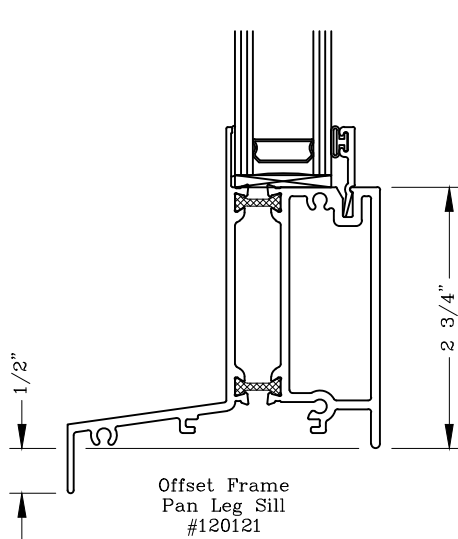


Series: 1200

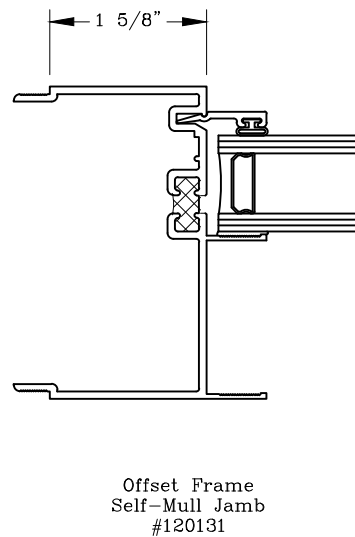
Manufacturing Code: 1221

Drawing 1/2 Scale – For Custom Size Drawing Contact Graham

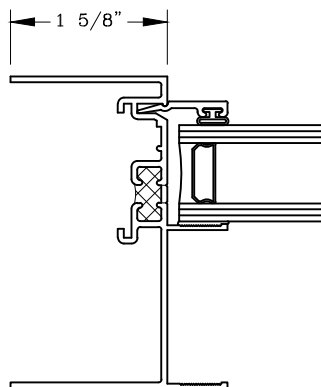
Note: Sealant Not Shown On Details. Refer To General Installation Instructions.



Offset Frame
Pan Leg Sill
#120121



Offset Frame
Self-Mull Jamb
#120131



Offset Frame
Equal Leg Jamb
#120130