

Fixed - Historic - 4"

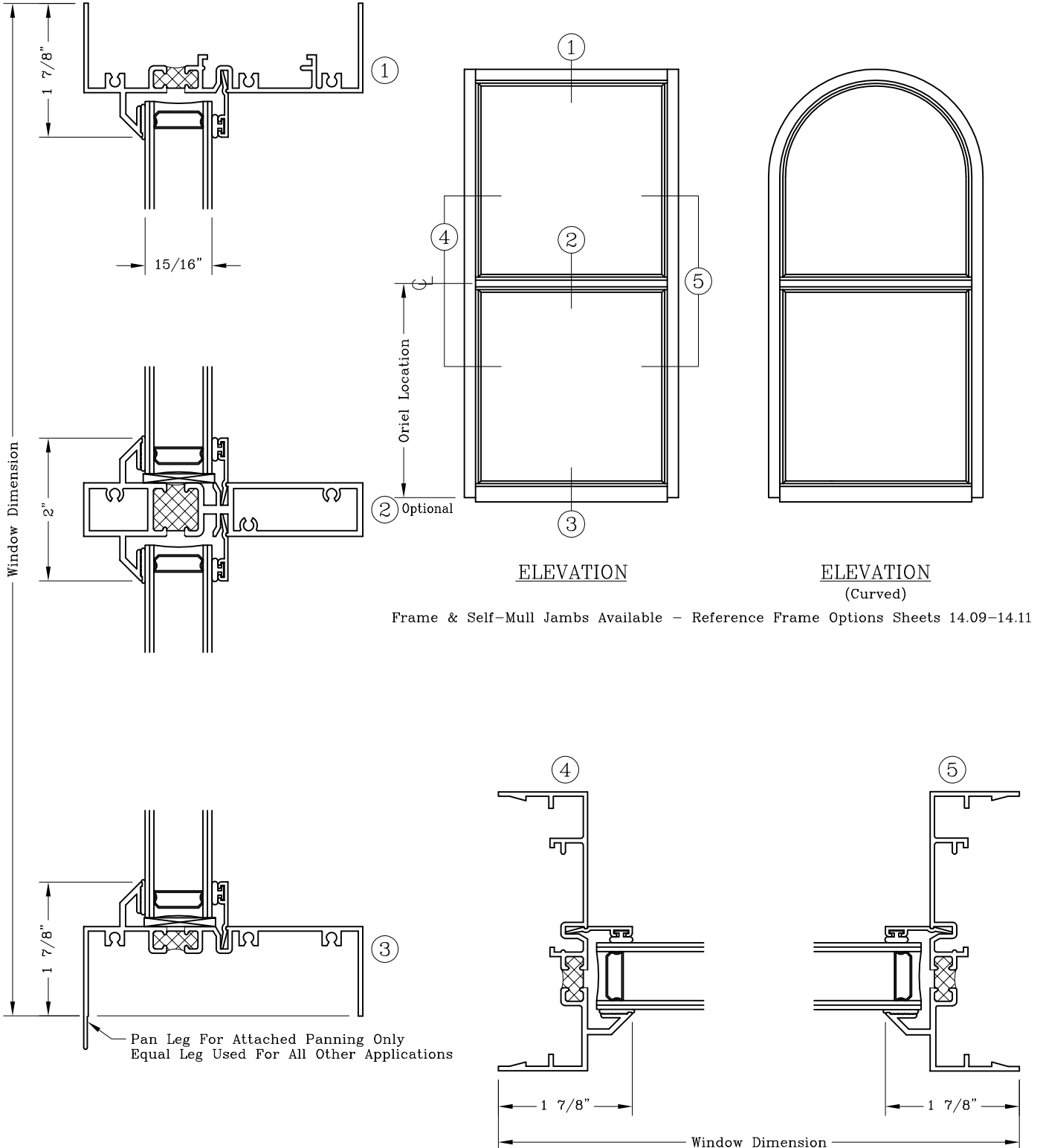


Series: 1400

Manufacturing Code: 1401

Drawing 1/2 Scale - For Custom Size Drawing Contact Graham

Note: Sealant Not Shown On Details. Consult Technical Services At Factory For Sealing Procedures.



Fixed Flat - 4"

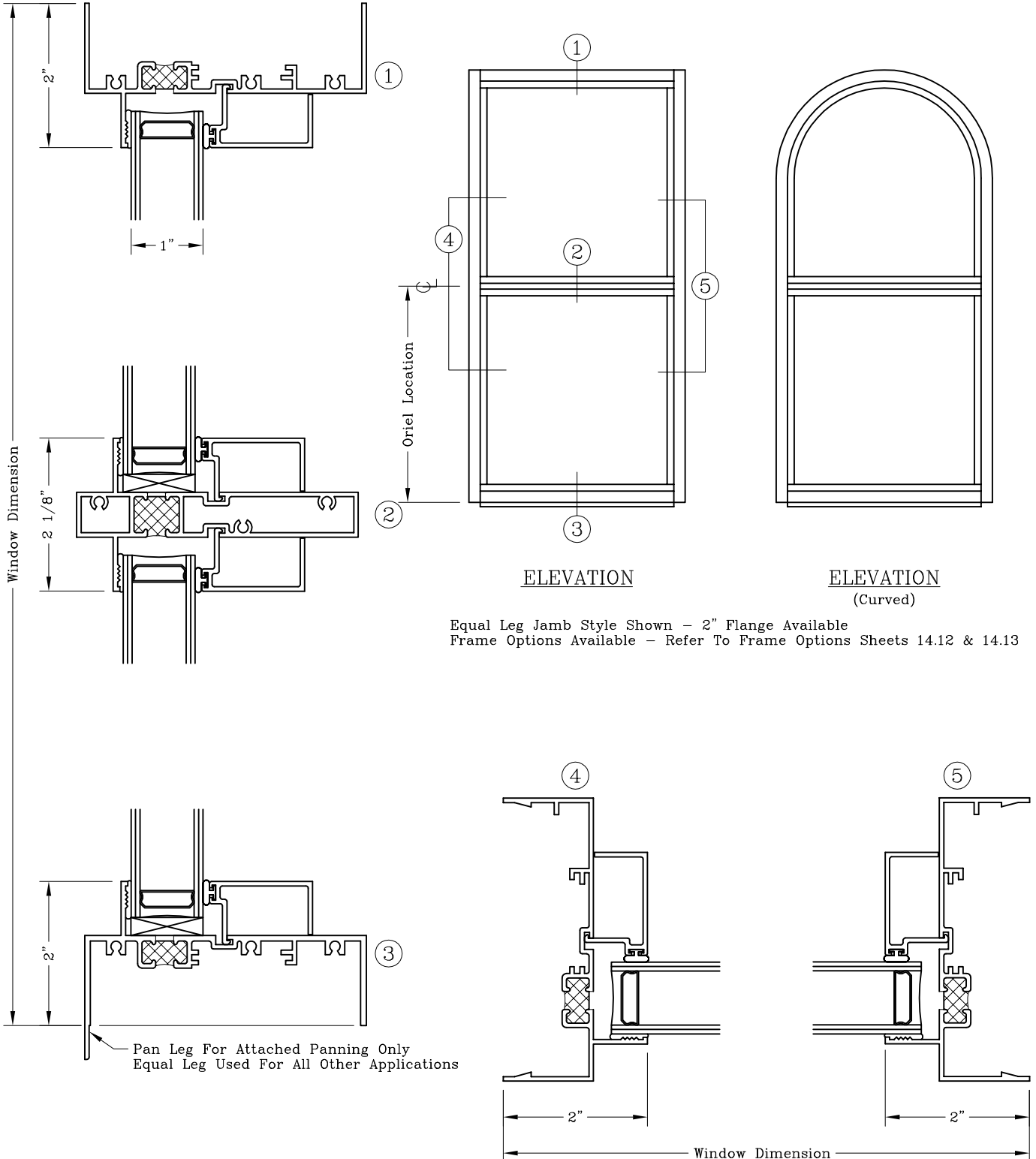


Series: 1400

Manufacturing Code: 1405

Drawing 1/2 Scale - For Custom Size Drawing Contact Graham

Note: Sealant Not Shown On Details. Consult Technical Services At Factory For Sealing Procedures.



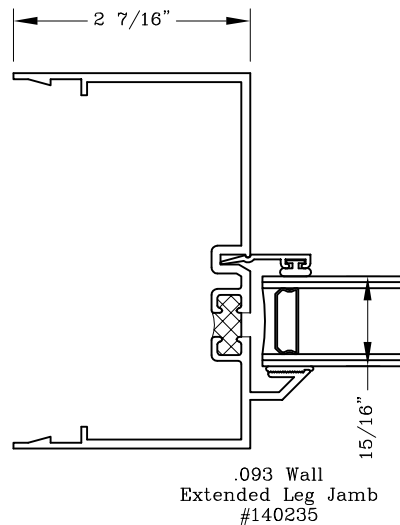
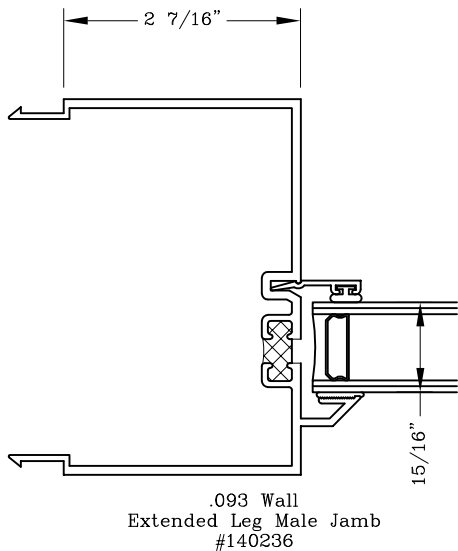
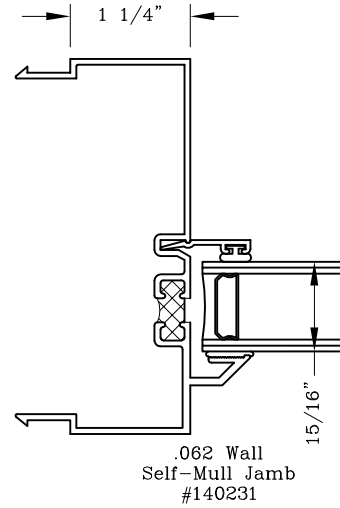
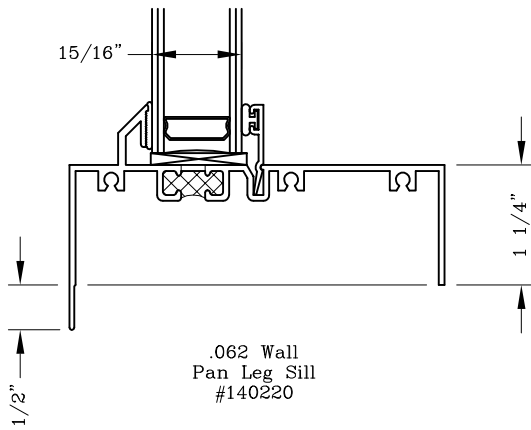
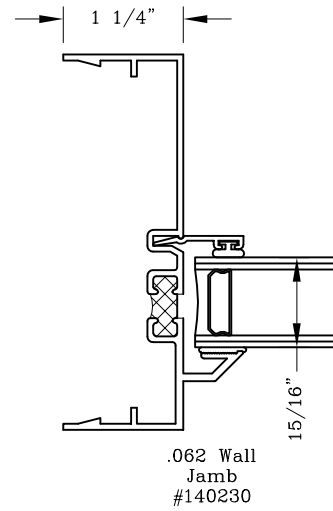
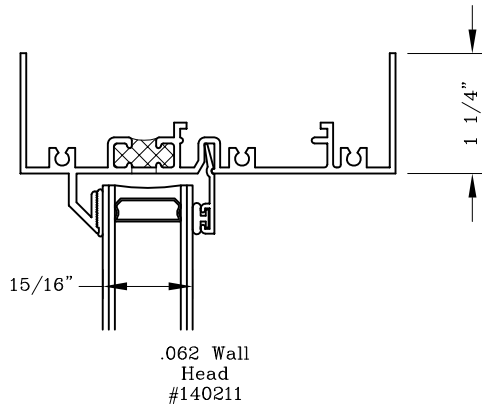
Frame Options – 4” Historic – .062 Wall



Series: 1400 Manufacturing Code: 1409

Drawing 1/2 Scale – For Custom Size Drawing Contact Graham

Note: Sealant Not Shown On Details. Consult Technical Services At Factory For Sealing Procedures.

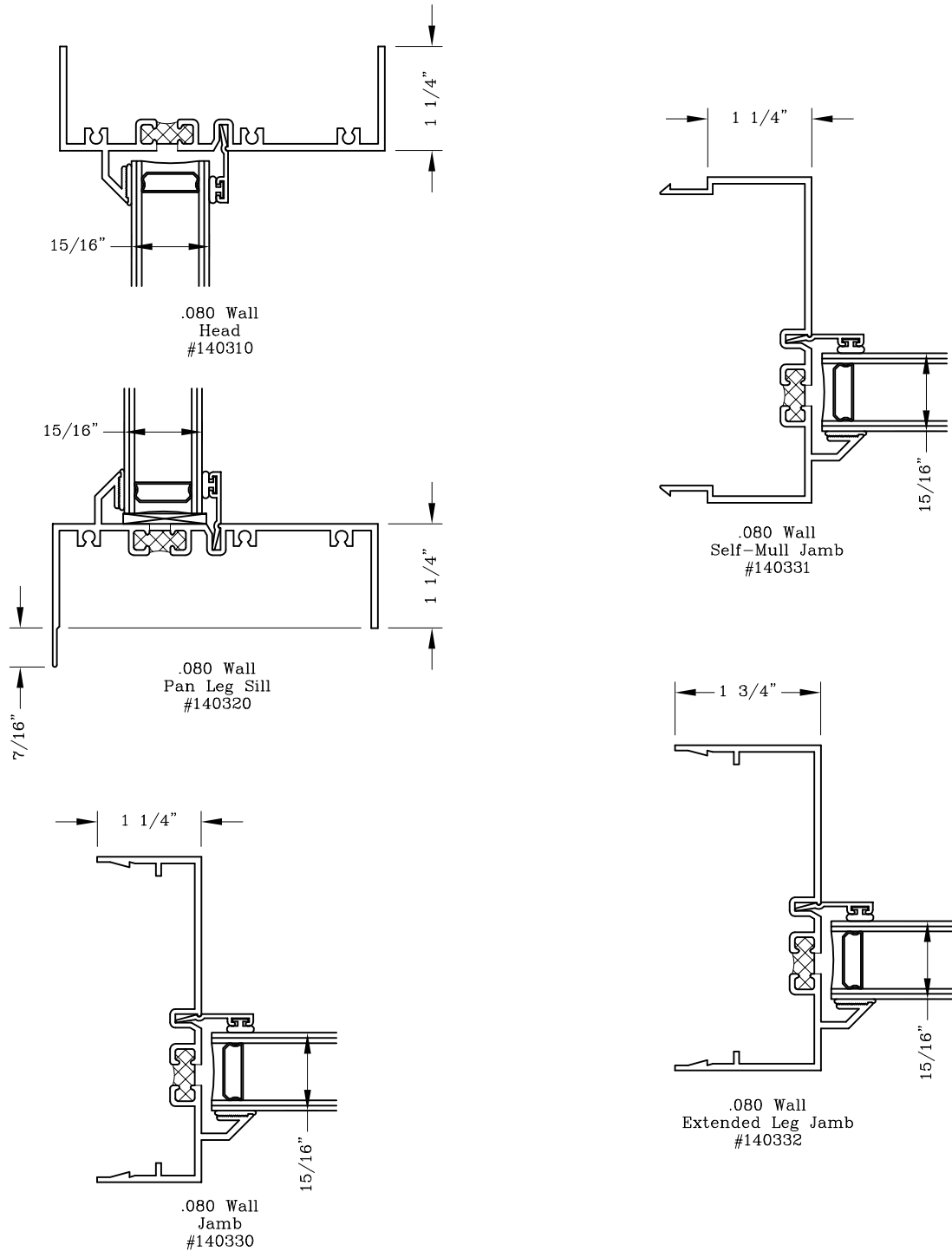


Frame Options – 4” Historic – .080 Wall



Series: 1400 Manufacturing Code: 1410
 Drawing 1/2 Scale – For Custom Size Drawing Contact Graham

Note: Sealant Not Shown On Details. Consult Technical Services At Factory For Sealing Procedures.



Frame Options - 4"

Historic - .094 & .125 Wall

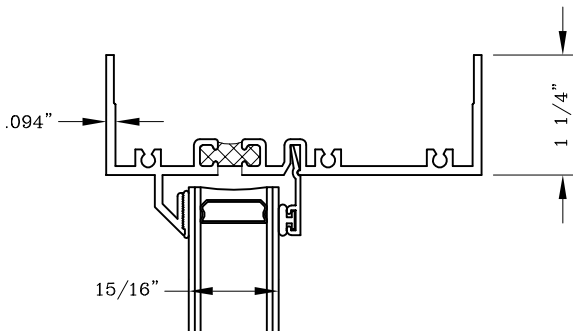


Series: 1400

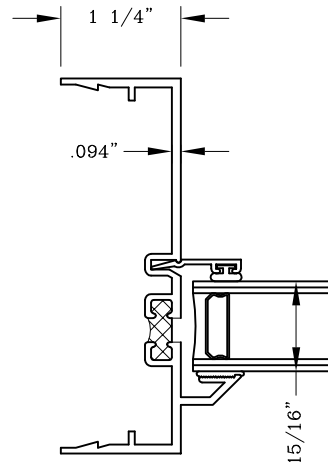
Manufacturing Code: 1411

Drawing 1/2 Scale - For Custom Size Drawing Contact Graham

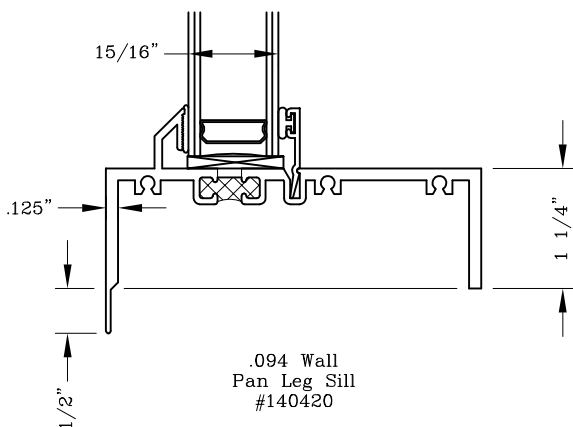
Note: Sealant Not Shown On Details. Consult Technical Services At Factory For Sealing Procedures.



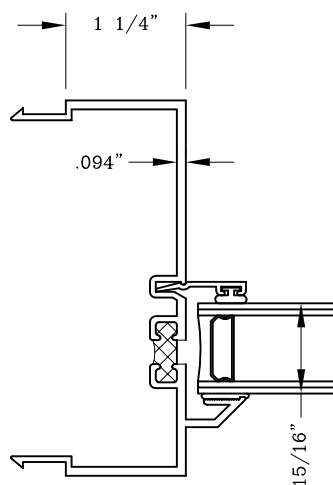
.094 Wall Head #140410



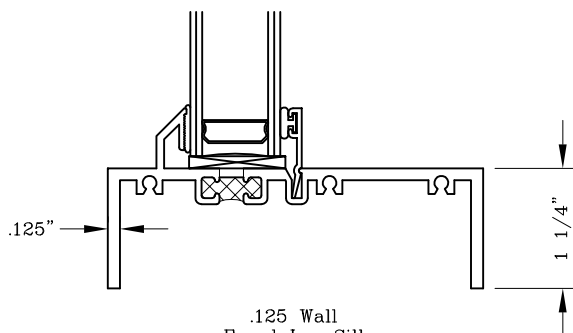
.094 Wall Jamb #140430



.094 Wall Pan Leg Sill #140420



.094 Wall Self-Mull Jamb #140431



.125 Wall Equal Leg Sill #140421

Frame Options - 4"

Flat - .062 Wall

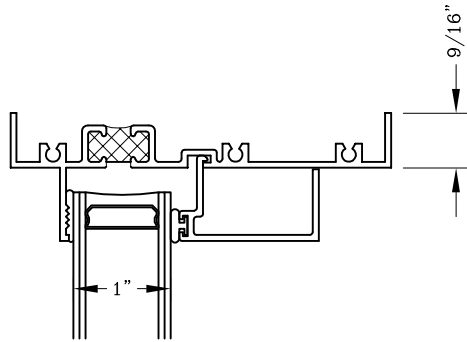


Series: 1400

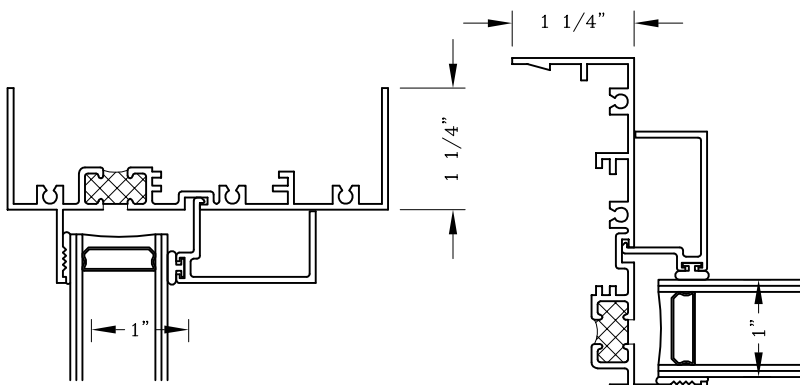
Manufacturing Code: 1412

Drawing 1/2 Scale - For Custom Size Drawing Contact Graham

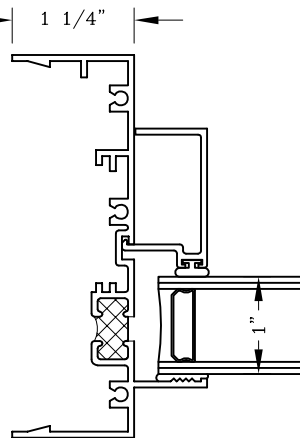
Note: Sealant Not Shown On Details. Consult Technical Services At Factory For Sealing Procedures.



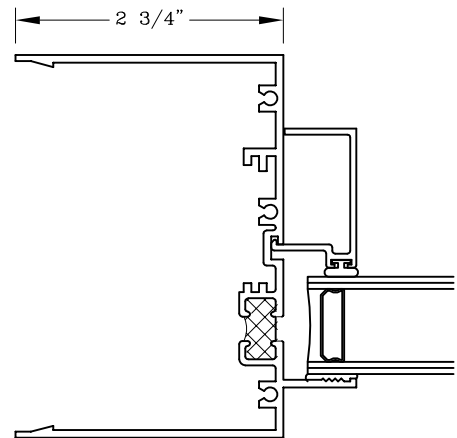
.062 Wall
Head w/ 9/16" Leg
#140015



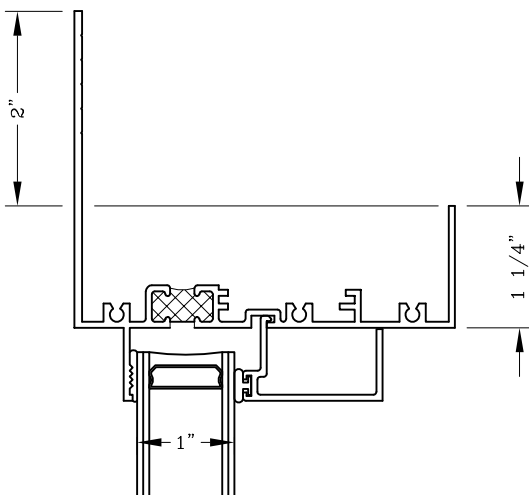
.062 Wall
Head
#140110



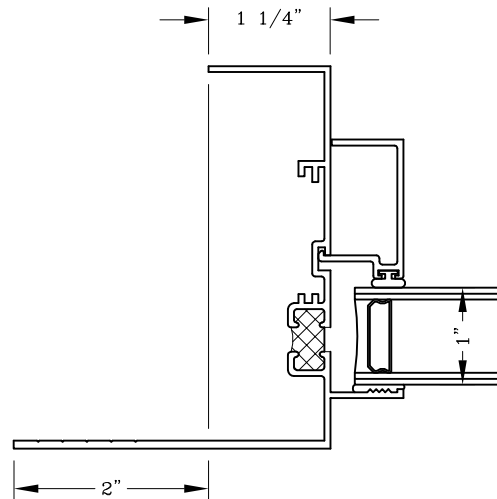
.062 Wall
Jamb w/ Ports
#140133



.062 Wall
Jamb w/ Extended Legs
#140134



.062 Wall
Flange Head & Sill
#140112



.062 Wall
Flange Leg Jamb
#140132

Frame Options - 4"

Flat & Historic



Series: 1400

Manufacturing Code: 1413

Drawing 1/2 Scale - For Custom Size Drawing Contact Graham

Note: Sealant Not Shown On Details. Consult Technical Services At Factory For Sealing Procedures.

