

Frame Options – 4” Historic – .094 & .125 Wall

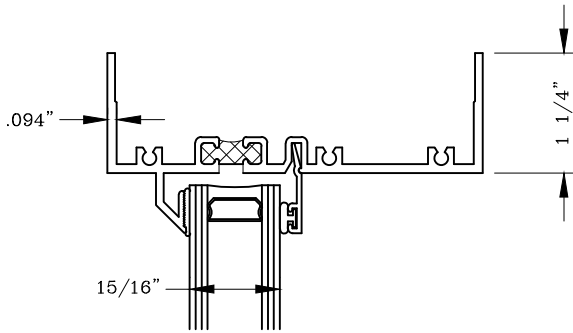


Series: 1400

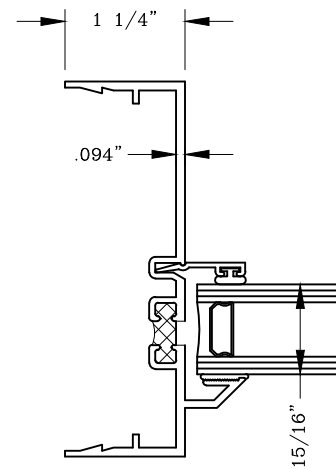
Manufacturing Code: 1411

Drawing 1/2 Scale – For Custom Size Drawing Contact Graham

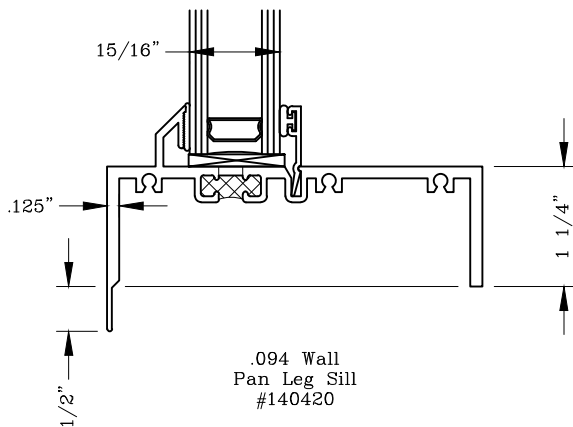
Note: Sealant Not Shown On Details. Refer To General Installation Instructions.



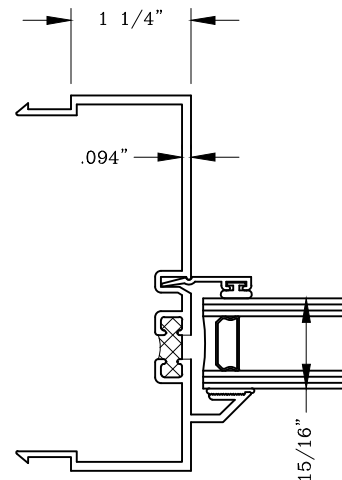
.094 Wall
Head
#140410



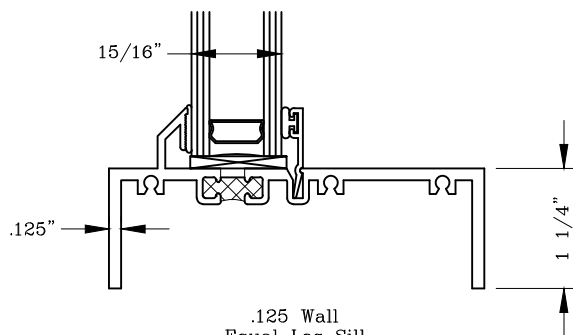
.094 Wall
Jamb
#140430



.094 Wall
Pan Leg Sill
#140420



.094 Wall
Self-Mull Jamb
#140431



.125 Wall
Equal Leg Sill
#140421

Graham Architectural Products reserves the right to change, add, cancel, remove or otherwise modify the details illustrated without prior notice.

1551 Mt. Rose Avenue, York, Pennsylvania 17403-2909 800/755-6274 Fax: 800/366-5097

0922 – 14.11

Web Site: www.grahamwindows.com