

Single Hung Side Load - 3 1/4" W/O Screen Track

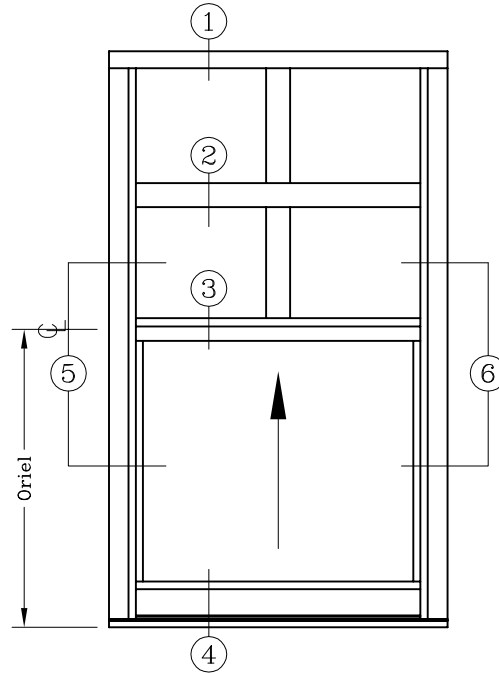
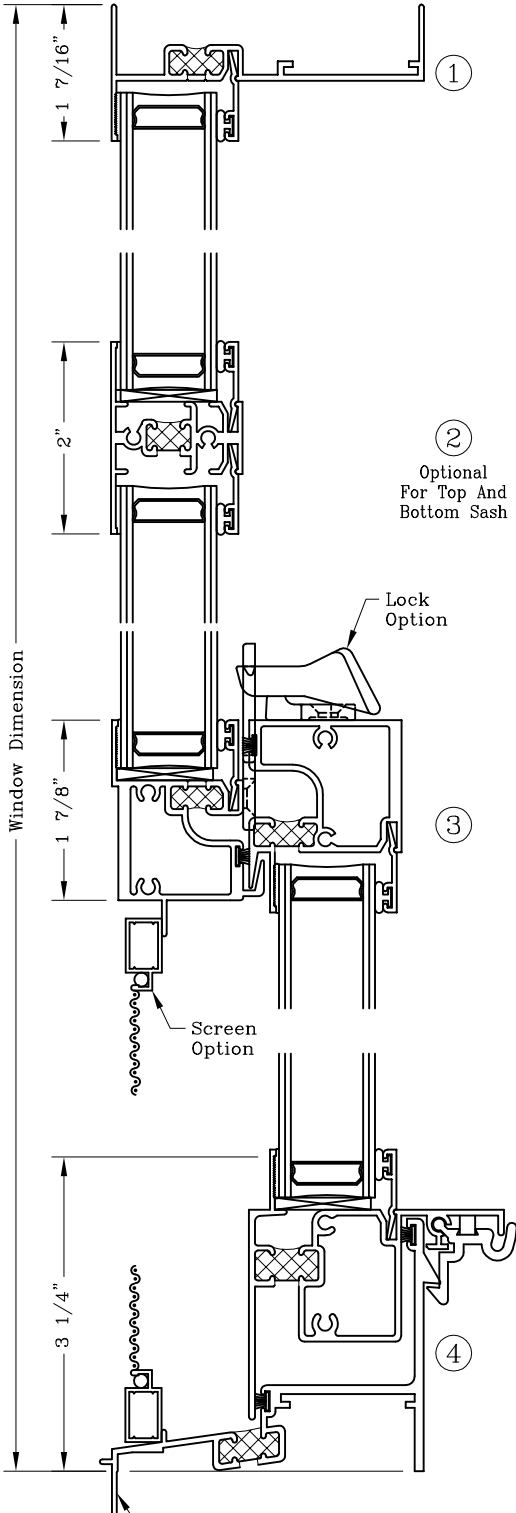


Series: 2000

Manufacturing Code: 2001

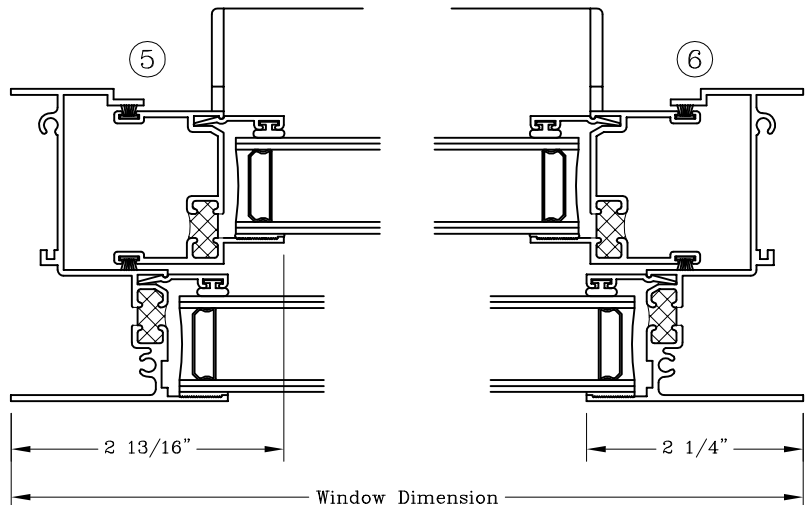
Drawing 1/2 Scale - For Custom Size Drawing Contact Graham

Note: Sealant Not Shown On Details. Consult Technical Services At Factory For Sealing Procedures.



ELEVATION

Jamb Style Shown For Block And Tackle Balance
Self-Mull Jamb's Available - Reference Frame Options Sheet 20.15



Pan Leg For Attached Panning Only
Equal Leg Used For All Other Applications

1551 Mt. Rose Avenue, York, Pennsylvania 17403-2909 • 800/755-6274 • Fax: 800/366-5097

Web Site: www.grahamwindows.com

Single Hung Side Load - 3 1/4" With Screen Track

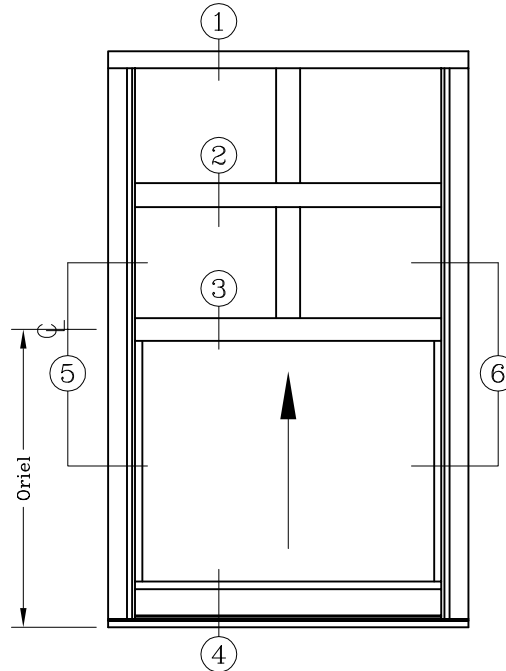
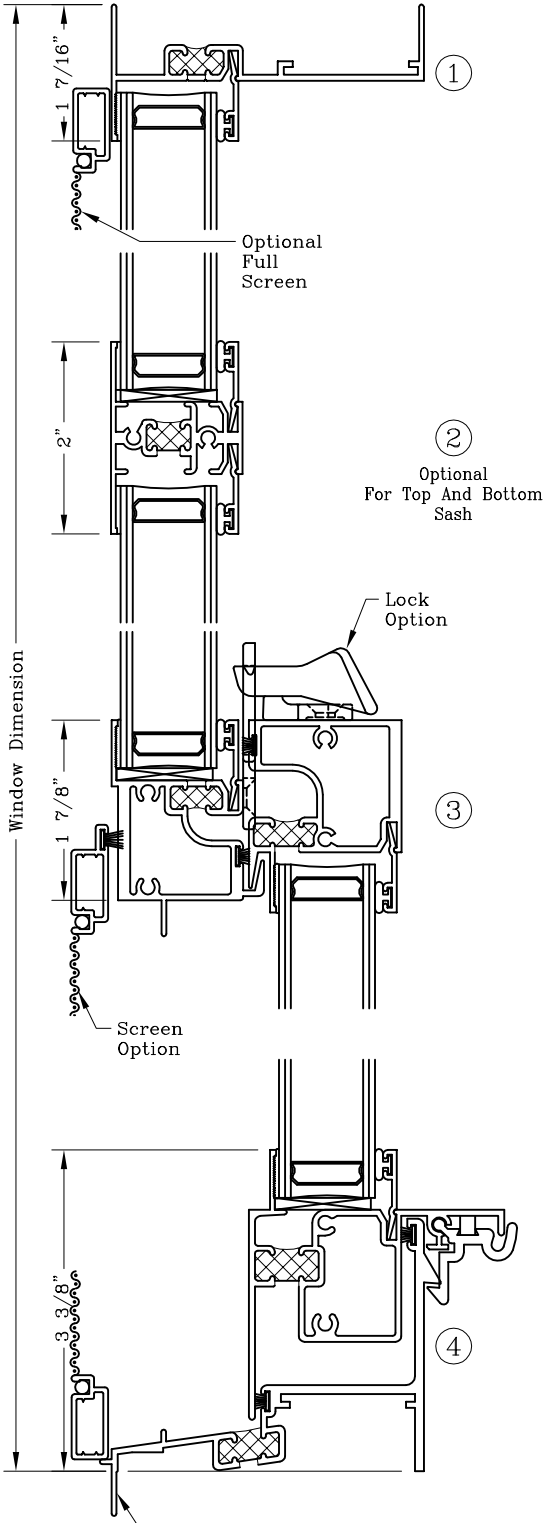


Series: 2000

Manufacturing Code: 2005

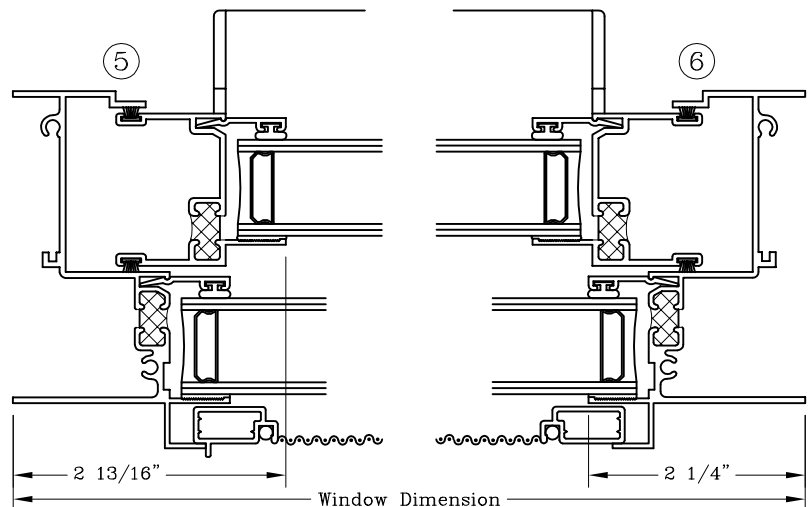
Drawing 1/2 Scale - For Custom Size Drawing Contact Graham

Note: Sealant Not Shown On Details. Consult Technical Services At Factory For Sealing Procedures.



ELEVATION

Jamb Style Shown For Block And Tackle Balance
Self-Mull Jambs Available - Refer To Frame Options Sheet 20.15



Pan Leg For Attached Panning Only
Equal Leg Used For All Other Applications

1551 Mt. Rose Avenue, York, Pennsylvania 17403-2909 • 800/755-6274 • Fax: 800/366-5097

Web Site: www.grahamwindows.com

Single Hung Side Load - 3 1/4"

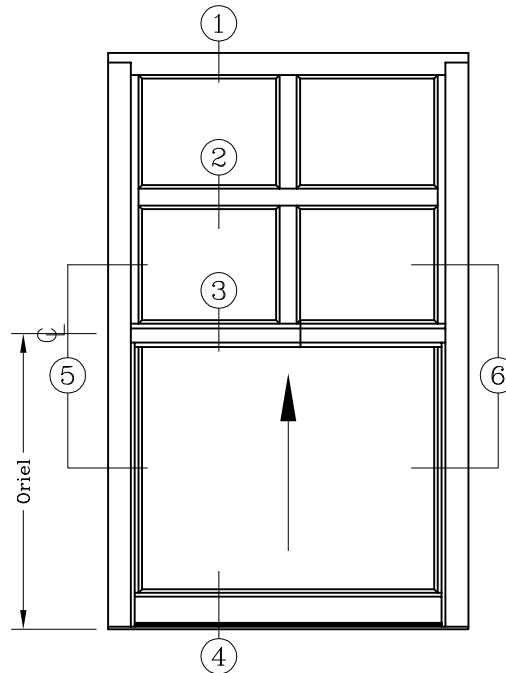
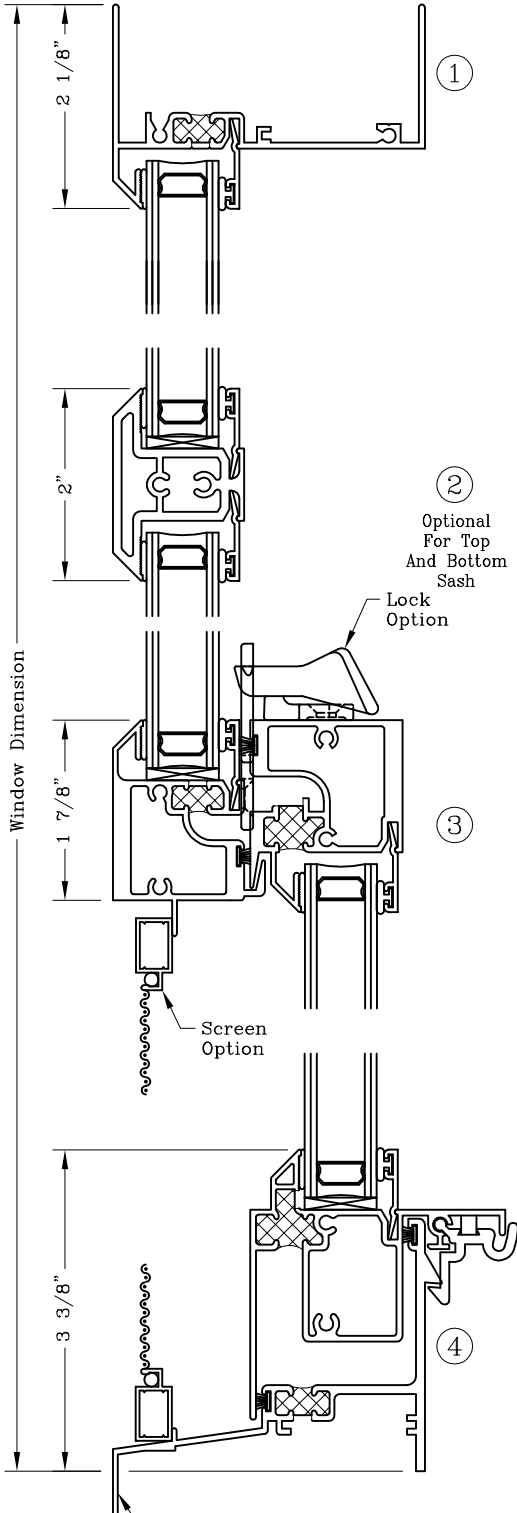


Series: 2000

Manufacturing Code: 2009

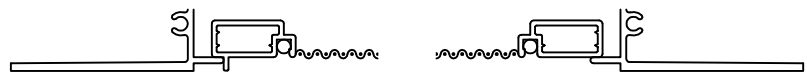
Drawing 1/2 Scale - For Custom Size Drawing Contact Graham

Note: Sealant Not Shown On Details. Consult Technical Services At Factory For Sealing Procedures.

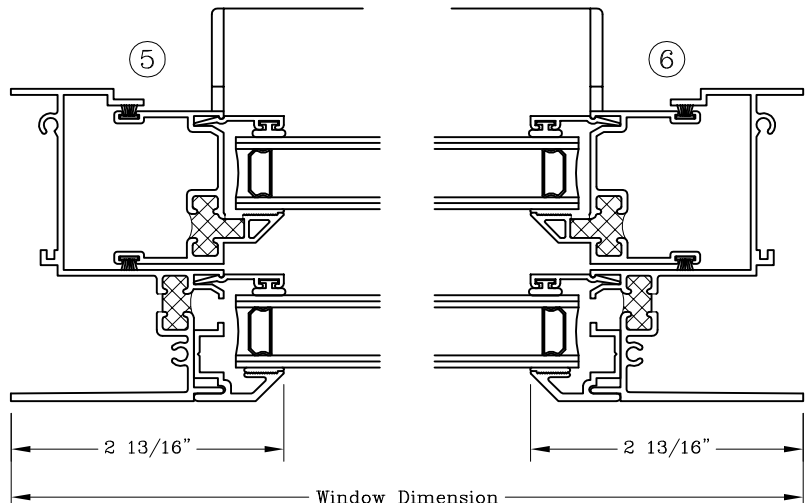


ELEVATION

Jamb Style Shown For Block And Tackle Balance



Screen Option Detail



Pan Leg For Attached Panning Only
Equal Leg Used For All Other Applications

1551 Mt. Rose Avenue, York, Pennsylvania 17403-2909 • 800/755-6274 • Fax: 800/366-5097

Web Site: www.grahamwindows.com

Single Hung Over Fixed - 3 1/4"

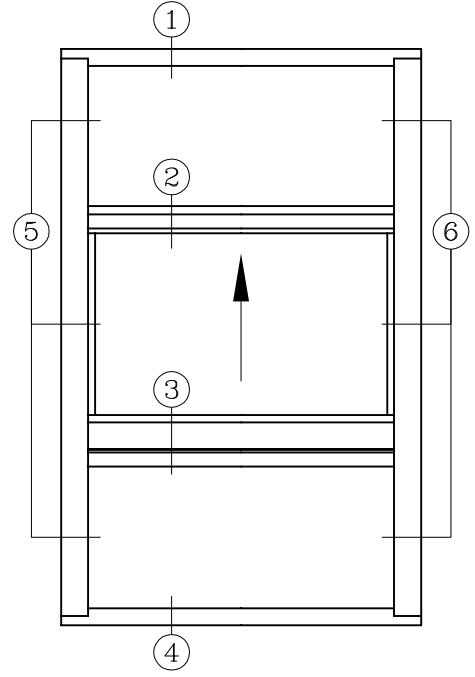
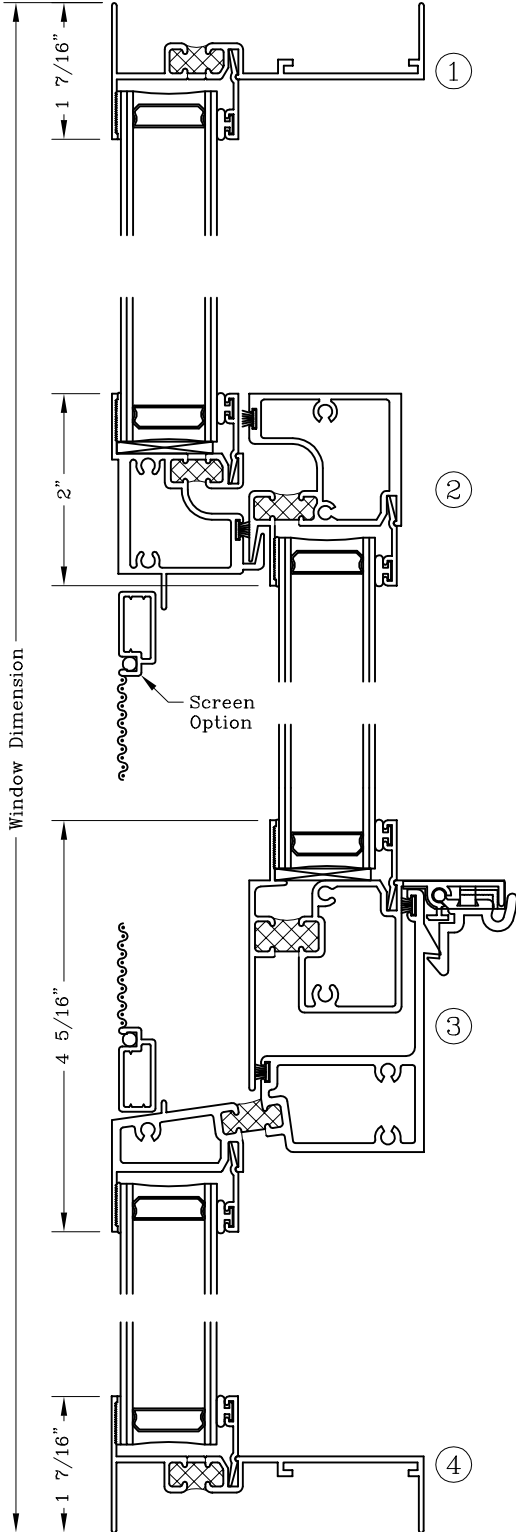


Series: 2000

Manufacturing Code: 2013

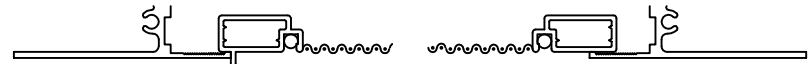
Drawing 1/2 Scale - For Custom Size Drawing Contact Graham

Note: Sealant Not Shown On Details. Consult Technical Services At Factory For Sealing Procedures.

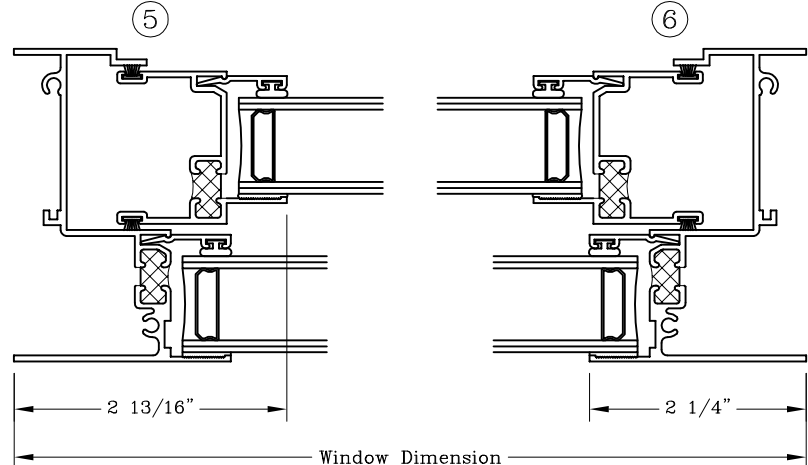


ELEVATION

Jamb Style Shown For Block And Tackle Balance



Screen Option Detail



Frame Options - 3 1/4"



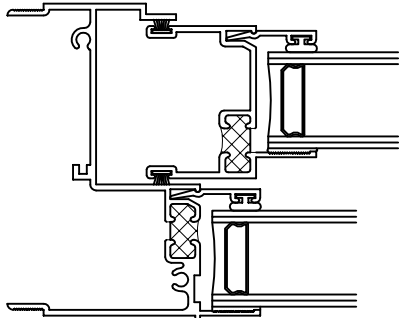
Series: 2000

Manufacturing Code: 2015

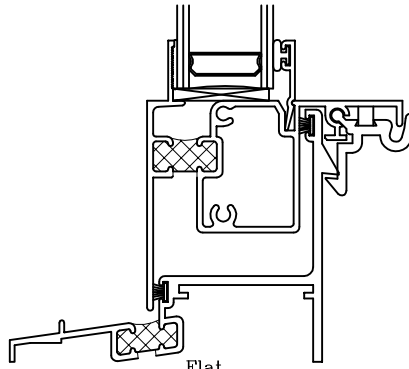
Drawing 1/2 Scale - For Custom Size Drawing Contact Graham

Note: Sealant Not Shown On Details. Consult Technical Services At Factory For Sealing Procedures.

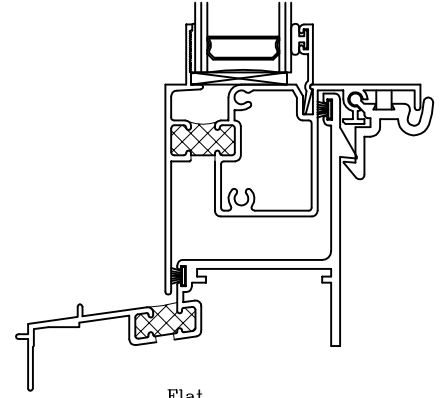
Flat Frame Options



Flat
Self-Mull Jamb
#203031

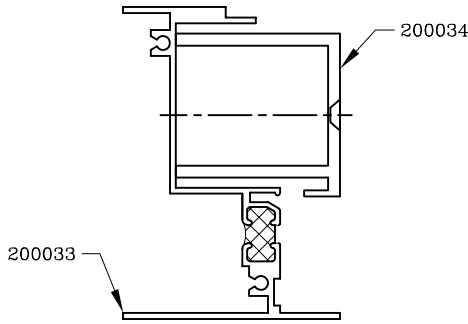


Flat
Equal Leg Sill
#200026

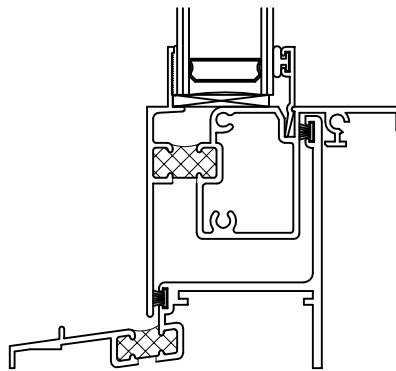


Flat
Pan Leg Sill
#200025

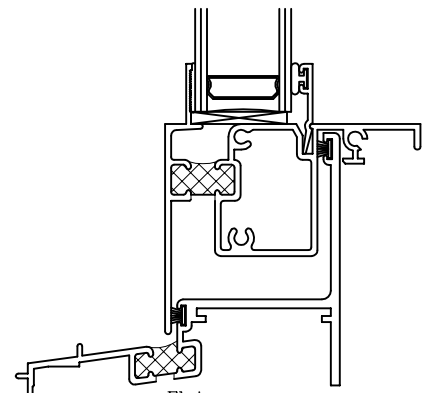
Various Frame Options



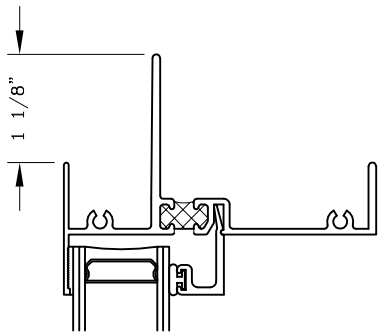
Channel and Jamb Frame
For Curving



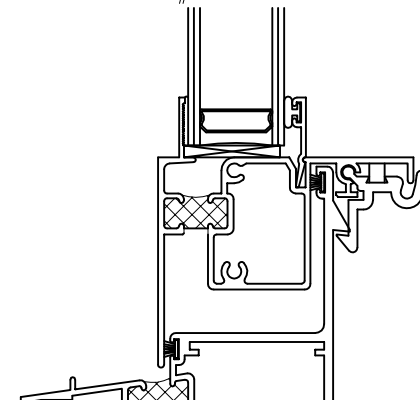
Flat
Equal Leg Sill w/o Barb
#200121



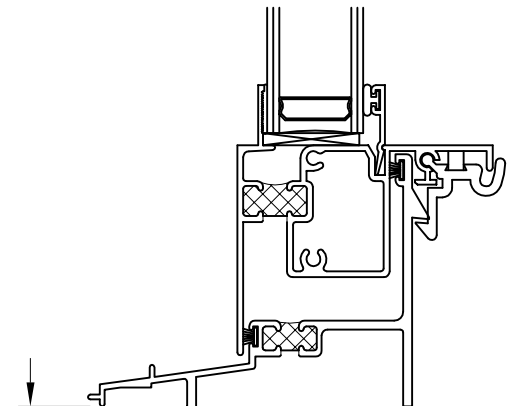
Flat
Pan Leg Sill w/o Barb
#200120



Flat
Nail Fin Single Hung Frame Head
#203013



Flat
2" Flange Frame Sill
#200028



Flat
Nail Fin Single Hung Frame Sill
#203023

Frame Options - 3 1/4"



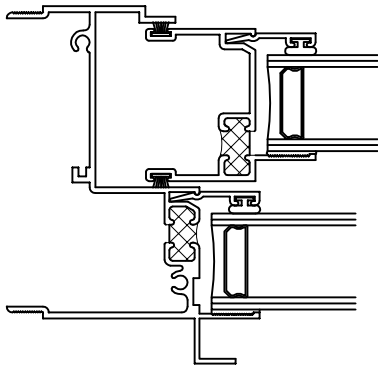
Series: 2000

Manufacturing Code: 2016

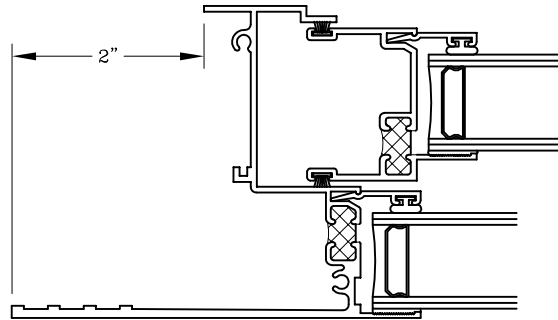
Drawing 1/2 Scale - For Custom Size Drawing Contact Graham

Note: Sealant Not Shown On Details. Consult Technical Services At Factory For Sealing Procedures.

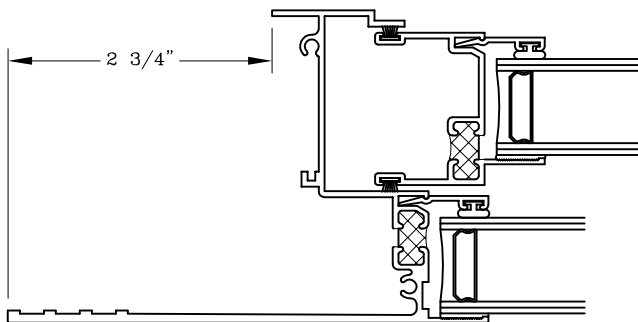
Flat Frame Options



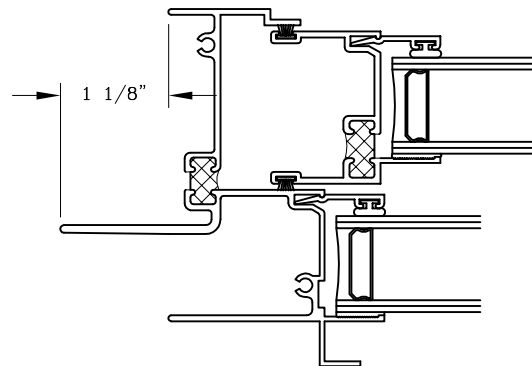
Flat
Self-Mull Jamb
#203031



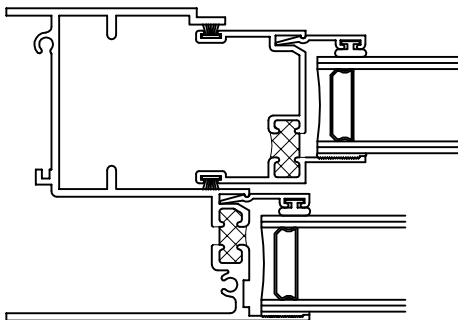
Flat
2" Flange Frame Jamb
#200035



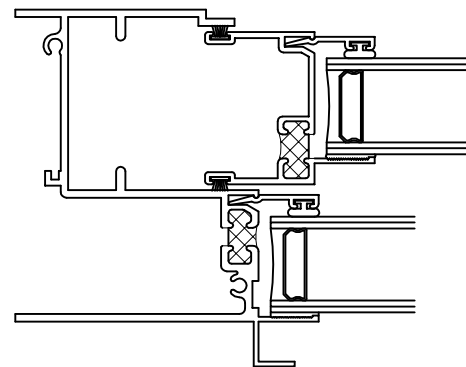
Flat
2 3/4" Flange Frame Jamb
#200032



Flat
Nail Fin Frame Jamb
#203033



Flat
Ultra Lift Jamb
#202030



Flat
Ultra Lift Jamb w/ Screen Track
#203035