

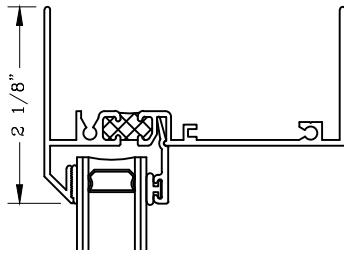
Single Hung Side Load 3 1/4" Historic Beveled Frame And Sash Frame Options



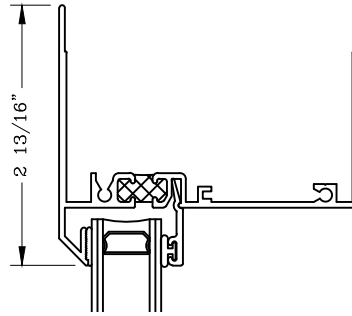
Series: 2000H Manufacturing Code: 2010

Drawing 1/2 Scale – For Custom Size Drawing Contact Graham

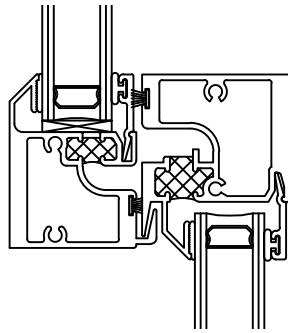
Note: Sealant Not Shown On Details. Refer To General Installation Instructions.



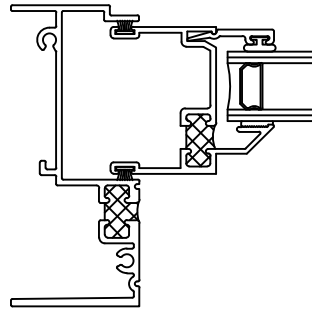
2 1/8" Sightline Head



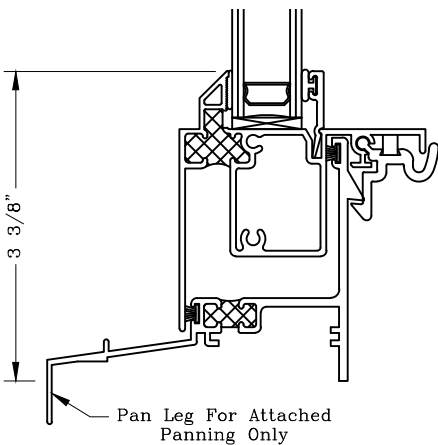
2 13/16" Sightline Head



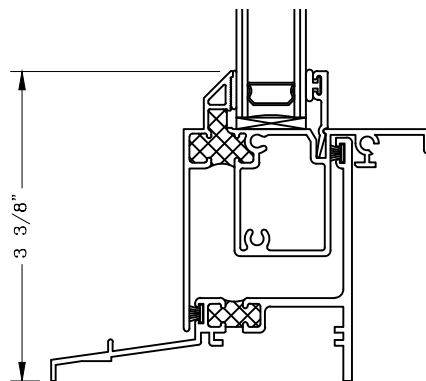
Non Screen Leg Meeting Rail



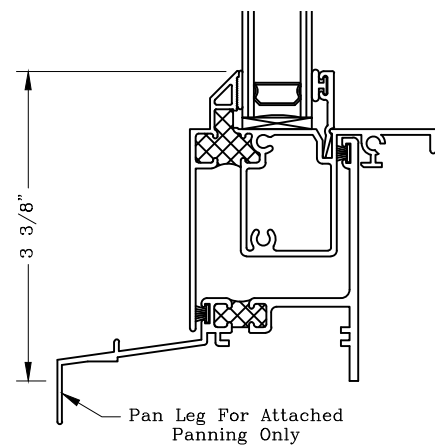
Non Screen Leg Jamb



Pan Leg Sill With Spring Latch Barb



Sill Without Spring Latch Barb



Pan Leg Sill Without Spring Latch Barb

Graham Architectural Products reserves the right to change, add, cancel, remove or otherwise modify the details illustrated without prior notice.

1551 Mt. Rose Avenue, York, Pennsylvania 17403-2909 800/755-6274 Fax: 800/366-5097

1020 - 20.10

Web Site: www.grahamwindows.com