

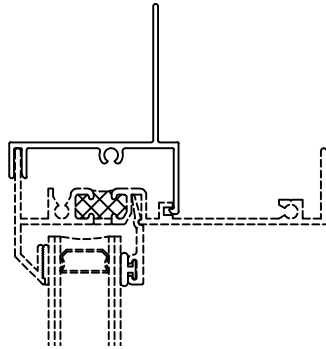
Single Hung Side Load 3 1/4" Historic Beveled Frame Heads Frame Options



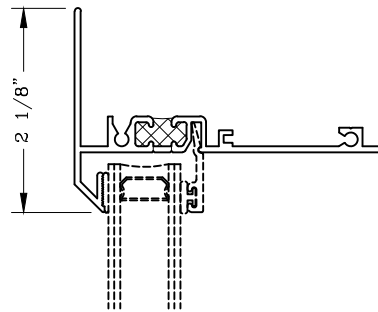
Series: 2000H Manufacturing Code: 2011

Drawing 1/2 Scale – For Custom Size Drawing Contact Graham

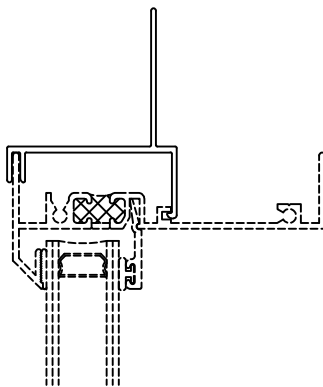
Note: Sealant Not Shown On Details. Refer To General Installation Instructions.



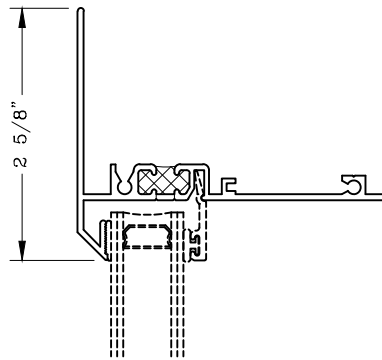
209995
Applied Nail Fin w/ Screw Port



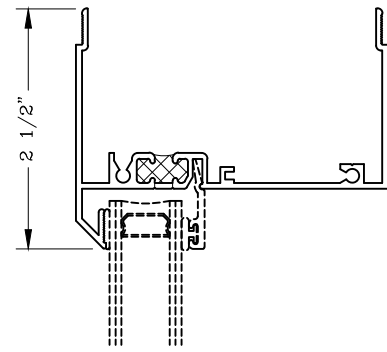
200315
2 1/8" Sightline Head



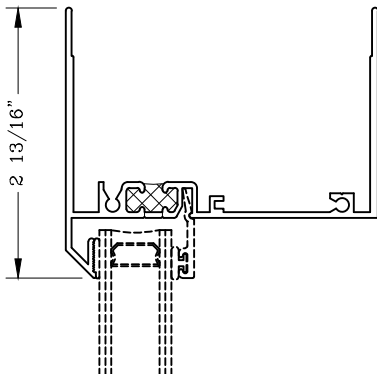
209993
Applied Nail Fin – Head



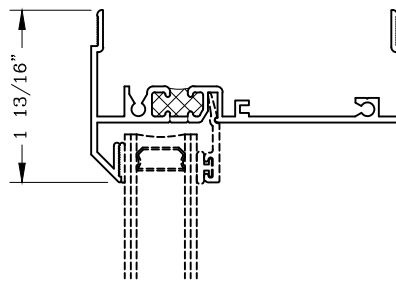
200319
Fixed Head with 1/2" Flange



200316
Fixed Head for Stacking



200317
2 13/16" Sightline Head



200311
Fixed Head for Stacking

Graham Architectural Products reserves the right to change, add, cancel, remove or otherwise modify the details illustrated without prior notice.

1551 Mt. Rose Avenue, York, Pennsylvania 17403-2909 800/755-6274 Fax: 800/366-5097

Web Site: www.grahamwindows.com