

# Frame Options - 3 1/4"



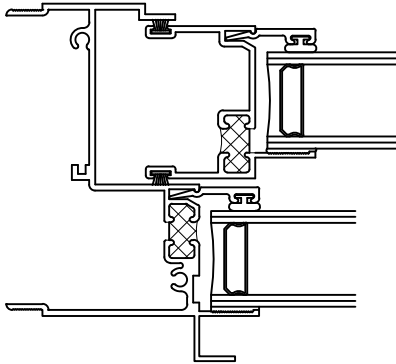
Series: 2000

Manufacturing Code: 2015

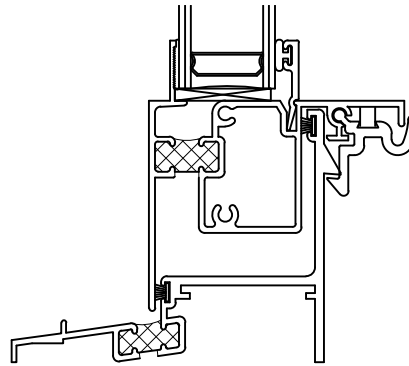
Drawing 1/2 Scale - For Custom Size Drawing Contact Graham

Note: Sealant Not Shown On Details. Refer To General Installation Instructions.

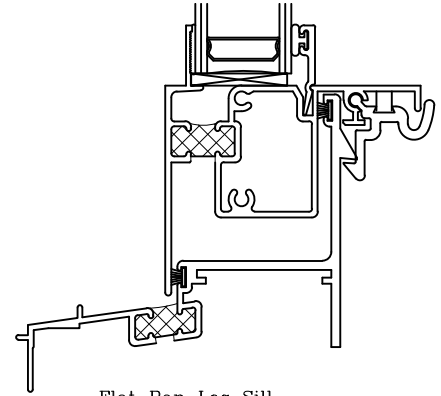
## Flat Frame Options



Flat Self-Mull Jamb  
#203031

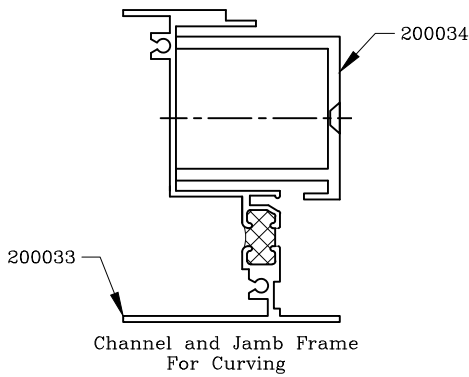


Flat Equal Leg Sill  
#200026

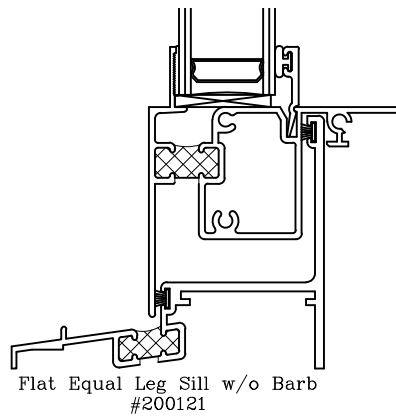


Flat Pan Leg Sill  
#200025

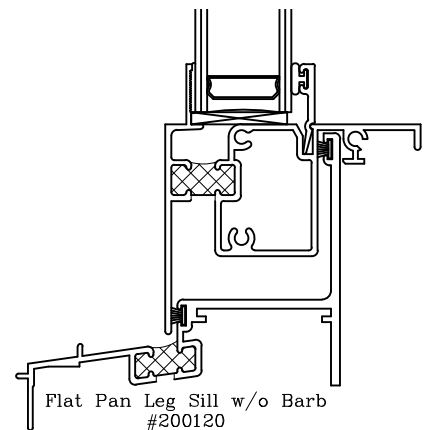
## Various Frame Options



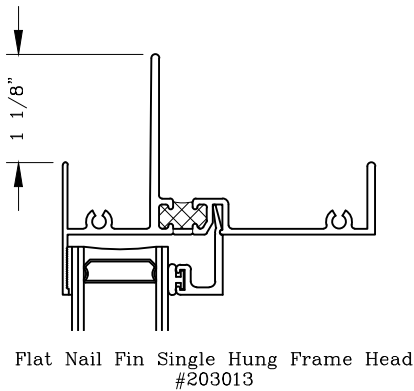
Channel and Jamb Frame  
For Curving



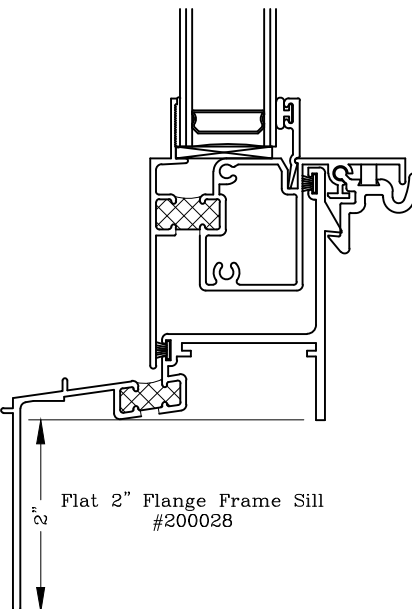
Flat Equal Leg Sill w/o Barb  
#200121



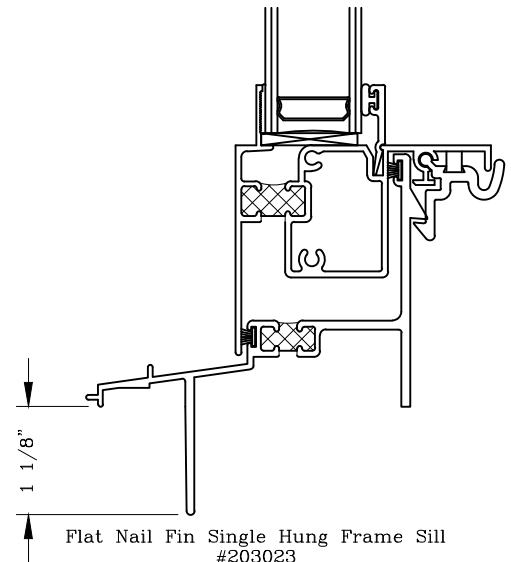
Flat Pan Leg Sill w/o Barb  
#200120



Flat Nail Fin Single Hung Frame Head  
#203013



Flat 2" Flange Frame Sill  
#200028



Flat Nail Fin Single Hung Frame Sill  
#203023

Graham Architectural Products reserves the right to change, add, cancel, remove or otherwise modify the details illustrated without prior notice.

1551 Mt. Rose Avenue, York, Pennsylvania 17403-2909 800/755-6274 Fax: 800/366-5097

0320 - 20.15

Web Site: www.grahamwindows.com