

Frame Options – 3 1/4” Flat Frame Sills

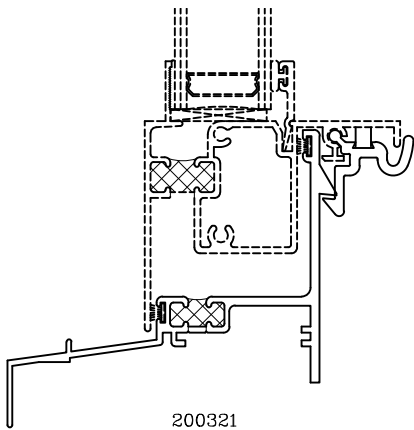


Series: 2000

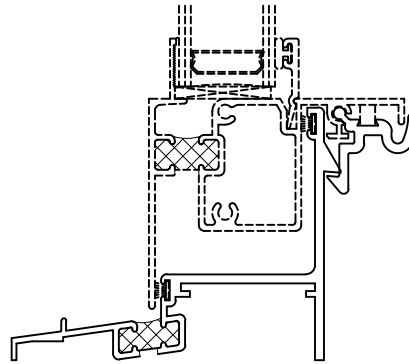
Manufacturing Code: 2015

Drawing 1/2 Scale – For Custom Size Drawing Contact Graham

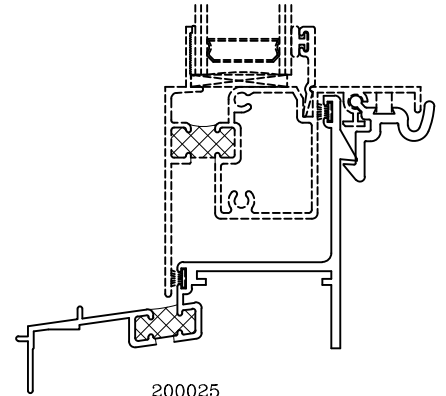
Note: Sealant Not Shown On Details. Refer To General Installation Instructions.



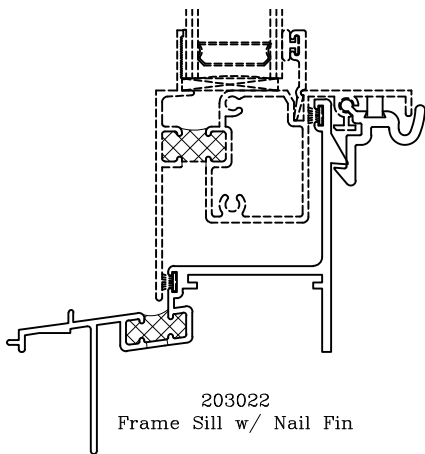
200321
Frame Sill w/ Pan Leg



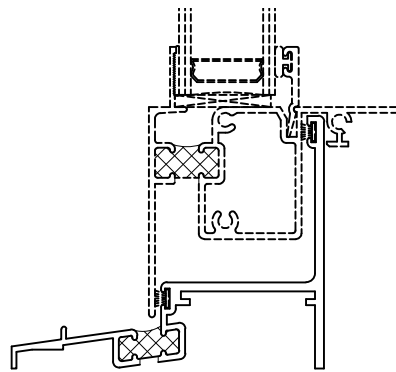
200026
Flat Equal Leg Sill



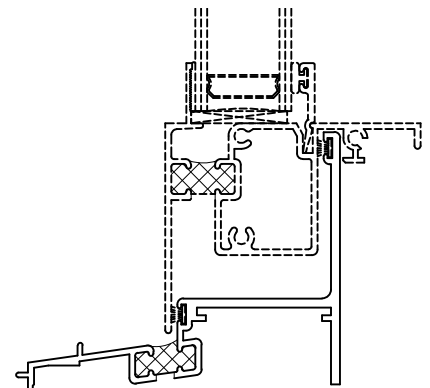
200025
Flat Pan Leg Sill



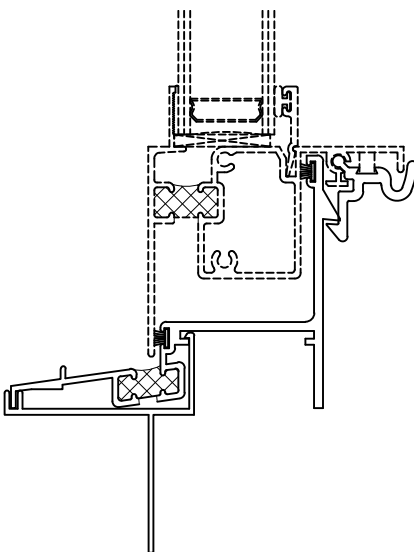
203022
Frame Sill w/ Nail Fin



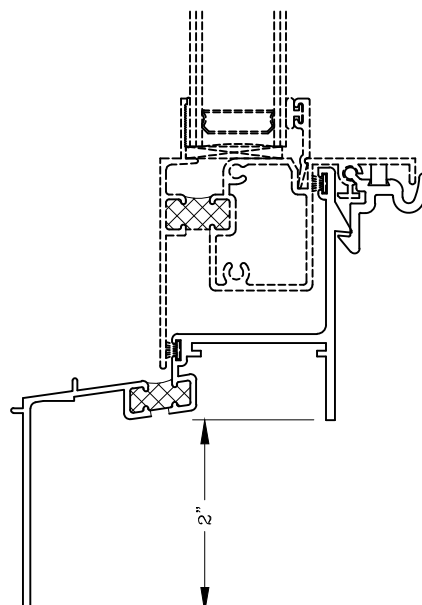
200121
Flat Equal Leg Sill w/o Barb



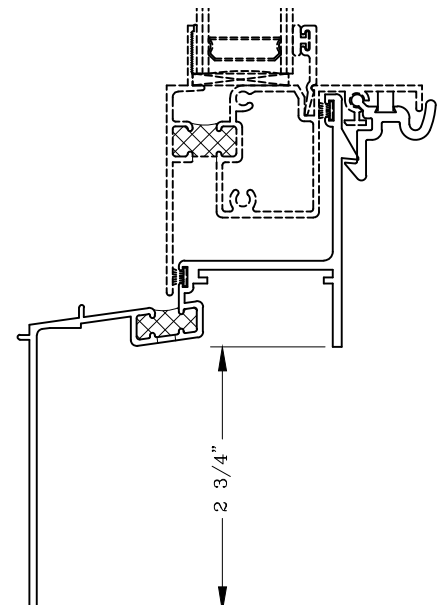
200120
Flat Pan Leg Sill w/o Barb



209997
Applied Nail Fin - Sill



200028
Flat 2” Flange Frame Sill



200027
Frame Sill w/ 2 3/4” Flange

Graham Architectural Products reserves the right to change, add, cancel, remove or otherwise modify the details illustrated without prior notice.

1551 Mt. Rose Avenue, York, Pennsylvania 17403-2909 800/755-6274 Fax: 800/366-5097

1221 – 20.15

Web Site: www.grahamwindows.com