

Single Hung Side Load - 4"

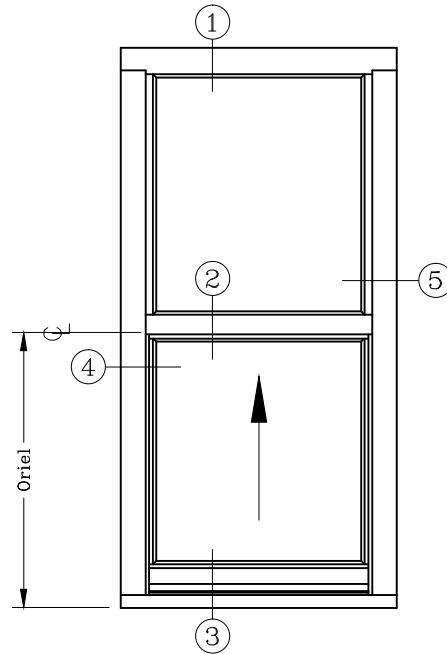
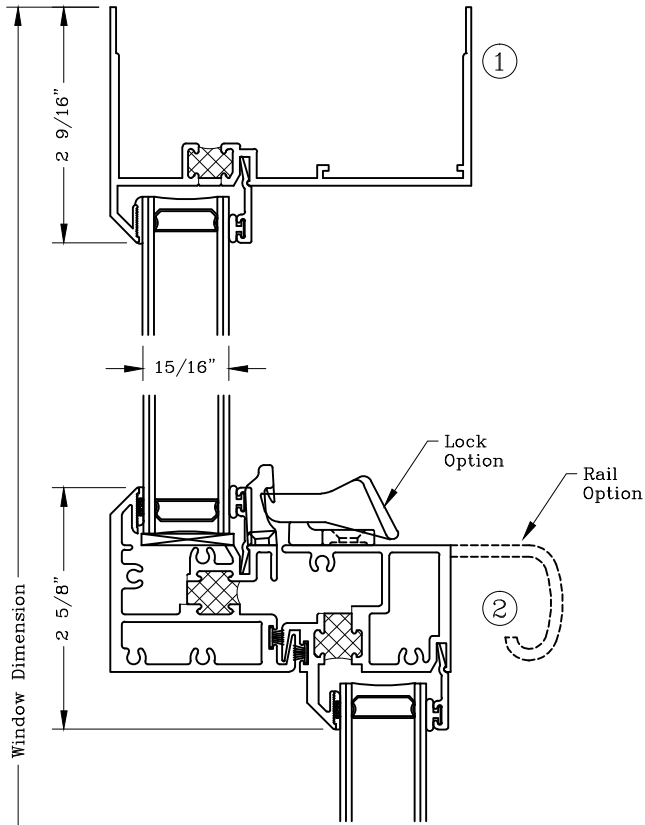


Series: 2200

Manufacturing Code: 2214.1

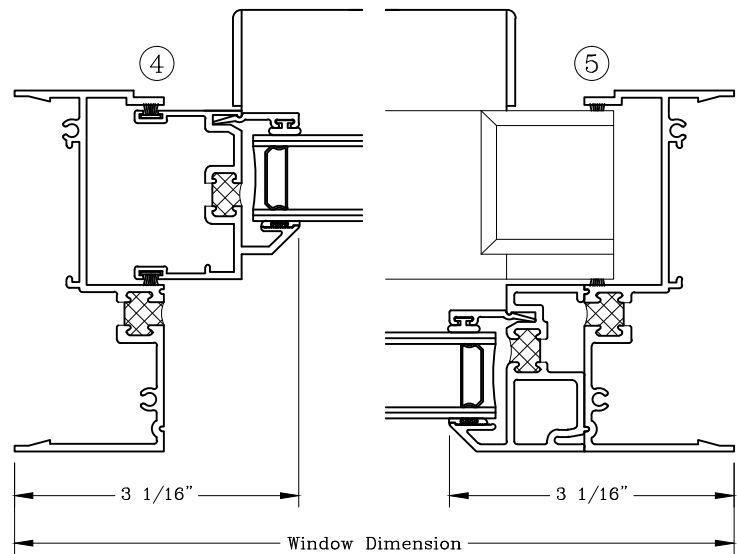
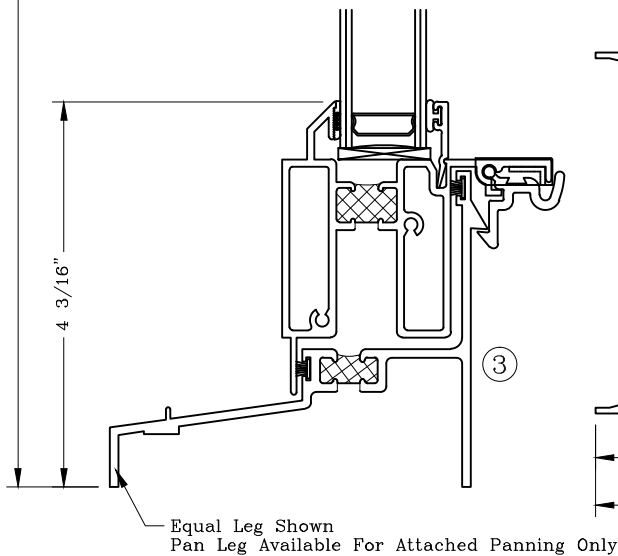
Drawing 1/2 Scale - For Custom Size Drawing Contact Graham

Note: Sealant Not Shown On Details. Consult Technical Services At Factory For Sealing Procedures.



ELEVATION

Jamb Style Shown For Block And Tackle and Class "5" Balances



Single Hung Side Load - 4"

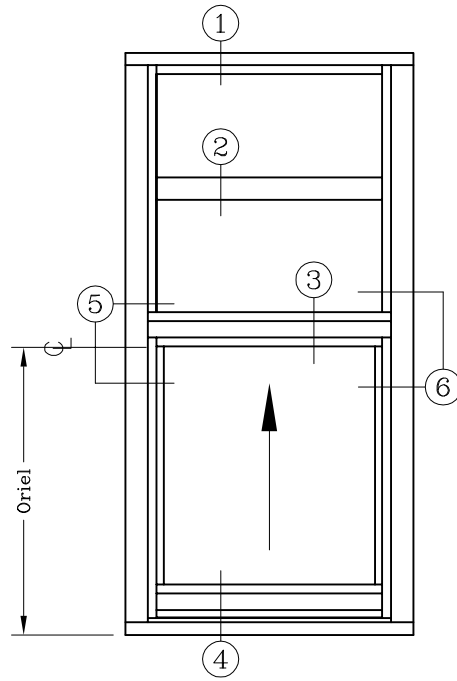
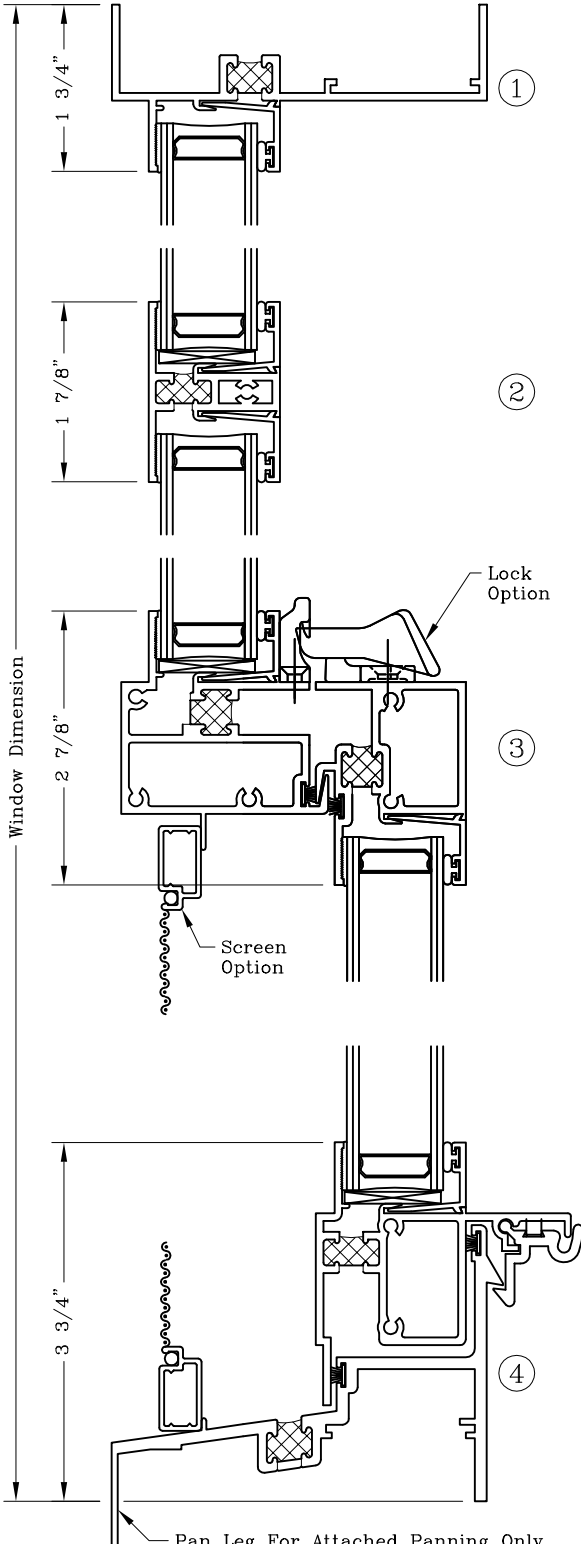


Series: 2200

Manufacturing Code: 2216

Drawing 1/2 Scale - For Custom Size Drawing Contact Graham

Note: Sealant Not Shown On Details. Consult Technical Services At Factory For Sealing Procedures.

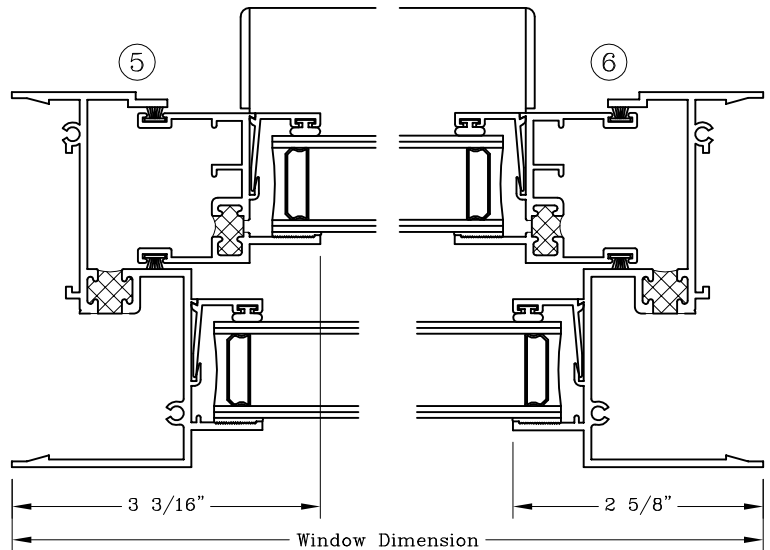


ELEVATION

Jamb Style Shown For Block And Tackle Balance



Screen Option Detail



Pan Leg For Attached Panning Only
Equal Leg Used For All Other Applications

1551 Mt. Rose Avenue, York, Pennsylvania 17403-2909 • 800/755-6274 • Fax: 800/366-5097

Web Site: www.grahamwindows.com

Frame Options - 4"

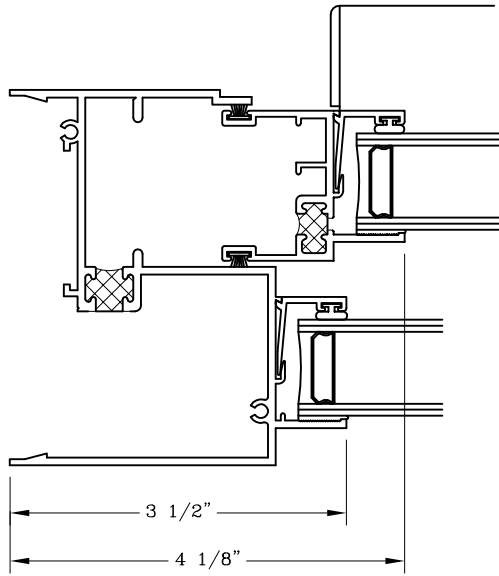


Series: 2200

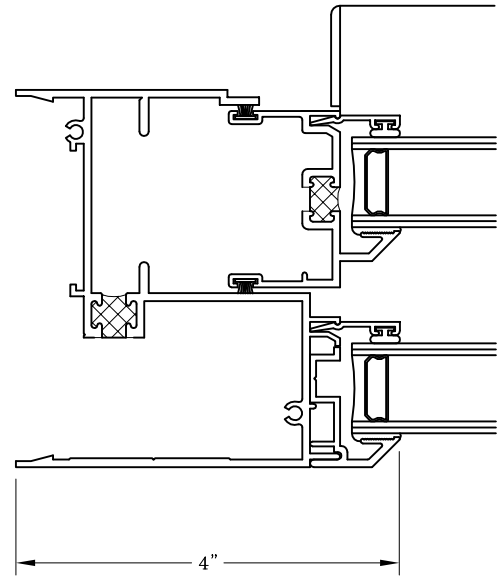
Manufacturing Code: 2222

Drawing 1/2 Scale - For Custom Size Drawing Contact Graham

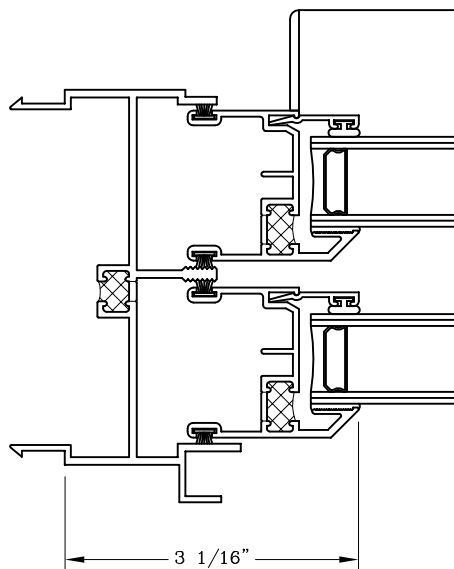
Note: Sealant Not Shown On Details. Consult Technical Services At Factory For Sealing Procedures.



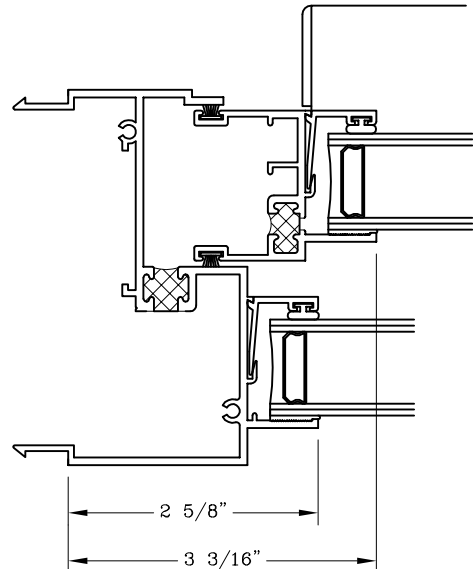
Single Hung Jamb
For Class "5" Balances
Shown With Bead-Glazed Insulated Glass
#222030



Historic Single Hung Jamb
For Class "5" Balances
Shown With Historic Style Bead-Glazed Sash
224035



Double Hung Self-Mull Jamb
For Block & Tackle Balance
Shown With Historic Style Bead-Glazed Glass
#221033



Single Hung Self-Mull Jamb
For Block & Tackle Balance
Shown With Bead-Glazed Insulated Glass
#221037

Frame Options - 4"



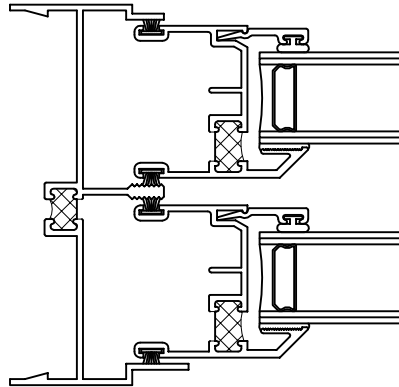
Series: 2200

Manufacturing Code: 2223

Drawing 1/2 Scale - For Custom Size Drawing Contact Graham

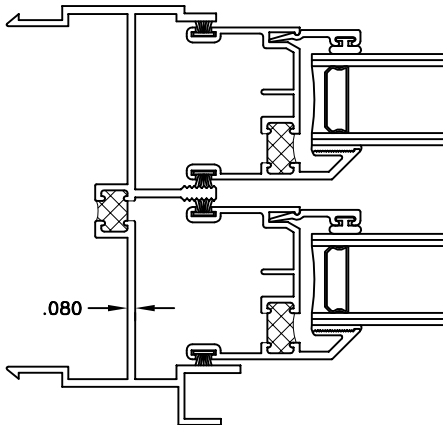
Note: Sealant Not Shown On Details. Consult Technical Services At Factory For Sealing Procedures.

.062 Wall Frames

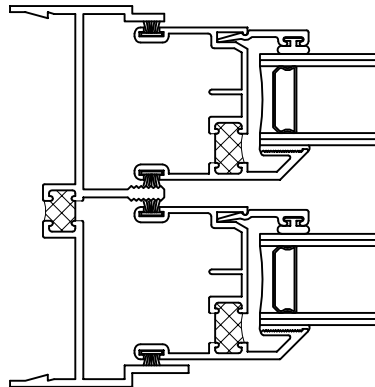


Block & Tackle Jamb
w/o Screen Track
#220036

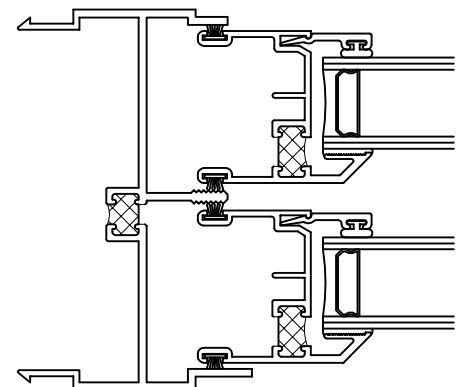
.080 Wall Frames



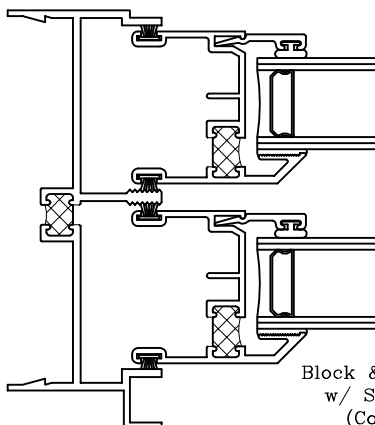
Self-Mull
Block & Tackle Jamb
w/ Screen Track
#221033



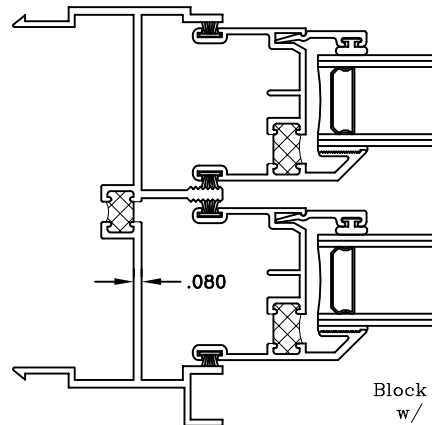
Block & Tackle Jamb
w/o Screen Track
#221034



Self-Mull
Block & Tackle Jamb
w/o Screen Track
#221035



Block & Tackle Jamb
w/ Screen Track
(Corrections)
#223030



Self-Mull
Block & Tackle Jamb
w/ Screen Track
(Corrections)
#223031

Frame Options - 4"



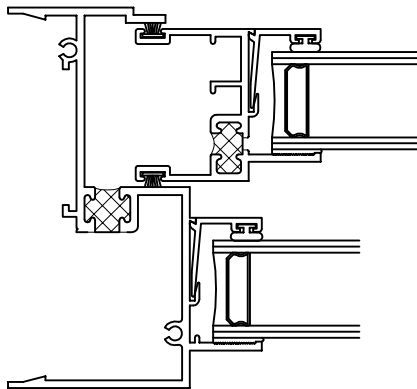
Series: 2200

Manufacturing Code: 2224

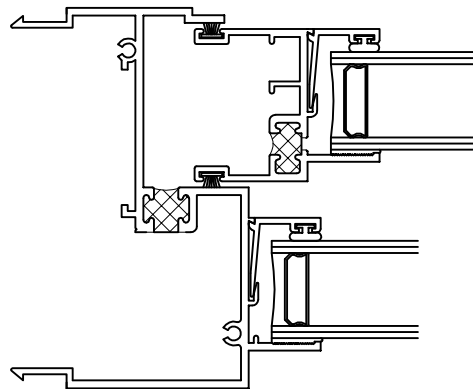
Drawing 1/2 Scale - For Custom Size Drawing Contact Graham

Note: Sealant Not Shown On Details. Consult Technical Services At Factory For Sealing Procedures.

.080 Wall Frames



Block & Tackle Single Hung Jamb
#221036



Block & Tackle Single Hung
Self-Mull Jamb
#221037

Frame Options - 4"



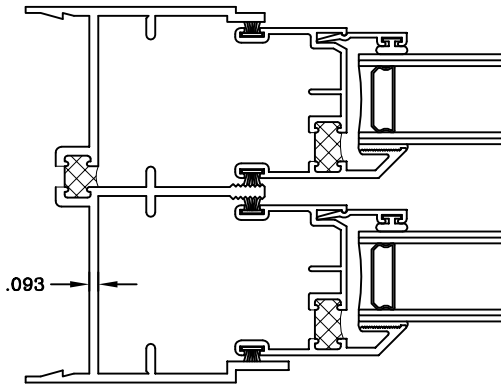
Series: 2200

Manufacturing Code: 2225

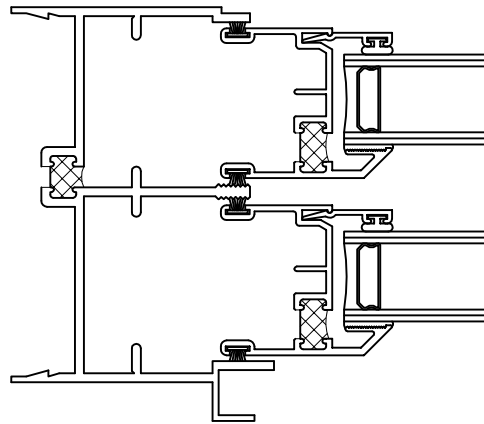
Drawing 1/2 Scale - For Custom Size Drawing Contact Graham

Note: Sealant Not Shown On Details. Consult Technical Services At Factory For Sealing Procedures.

.093 Wall Frames



Class "5" Balances Jamb
w/o Screen Track
#221038



Class "5" Balances Jamb
w/ Screen Track
#221039

Frame Options - 4"



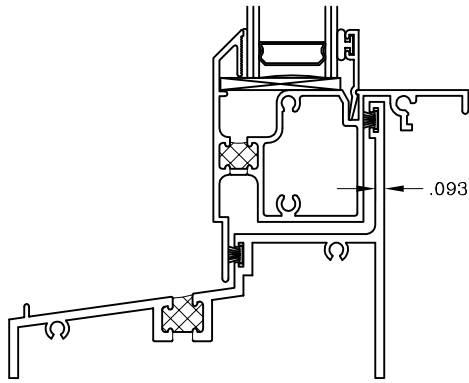
Series: 2200

Manufacturing Code: 2226

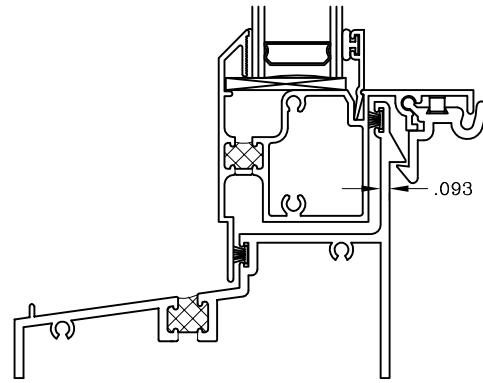
Drawing 1/2 Scale - For Custom Size Drawing Contact Graham

Note: Sealant Not Shown On Details. Consult Technical Services At Factory For Sealing Procedures.

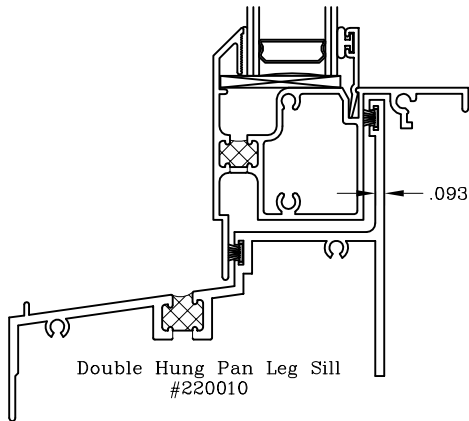
.093 Wall Frames



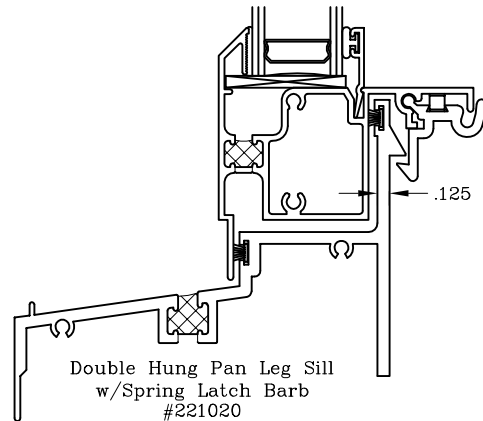
Double Hung Equal Leg Sill
#221023



Double Hung Equal Leg Sill
w/Spring Latch Barb
#221024



Double Hung Pan Leg Sill
#220010



Double Hung Pan Leg Sill
w/Spring Latch Barb
#221020

Frame Options - 4"

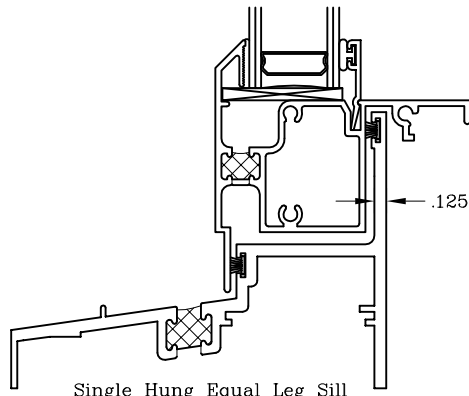


Series: 2200

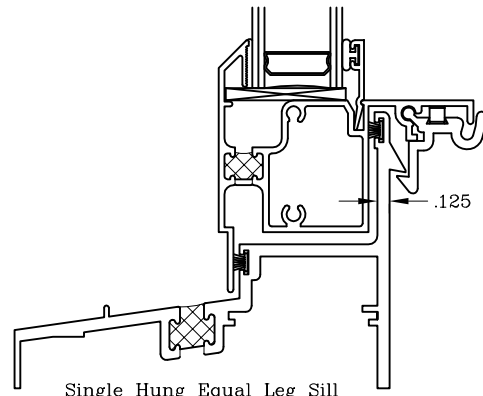
Manufacturing Code: 2227

Drawing 1/2 Scale - For Custom Size Drawing Contact Graham

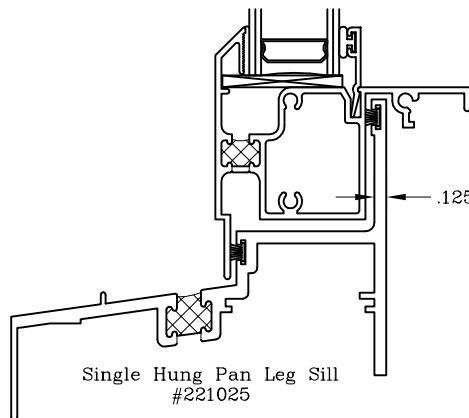
Note: Sealant Not Shown On Details. Consult Technical Services At Factory For Sealing Procedures.



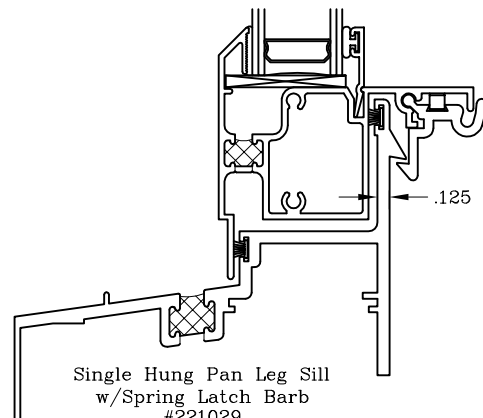
Single Hung Equal Leg Sill
#221026



Single Hung Equal Leg Sill
w/Spring Latch Barb
#221028



Single Hung Pan Leg Sill
#221025



Single Hung Pan Leg Sill
w/Spring Latch Barb
#221029

Frame Options - 4"

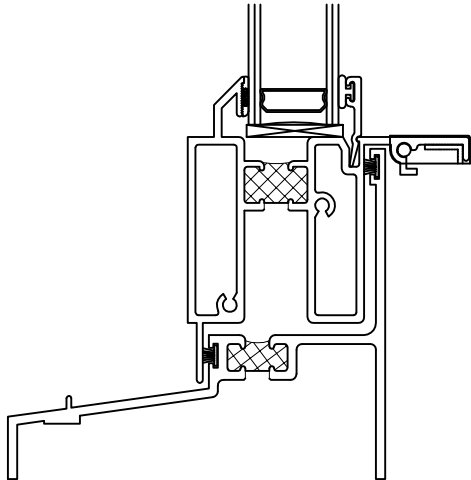


Series: 2200

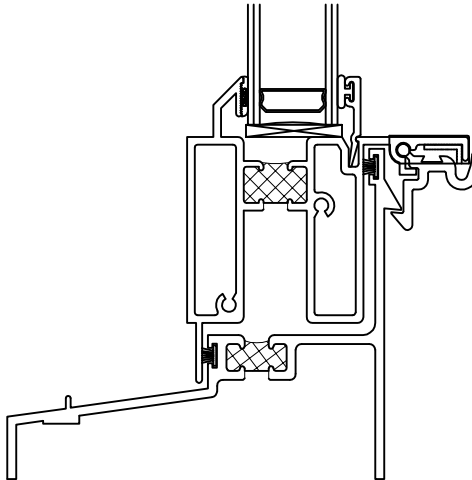
Manufacturing Code: 2229

Drawing 1/2 Scale - For Custom Size Drawing Contact Graham

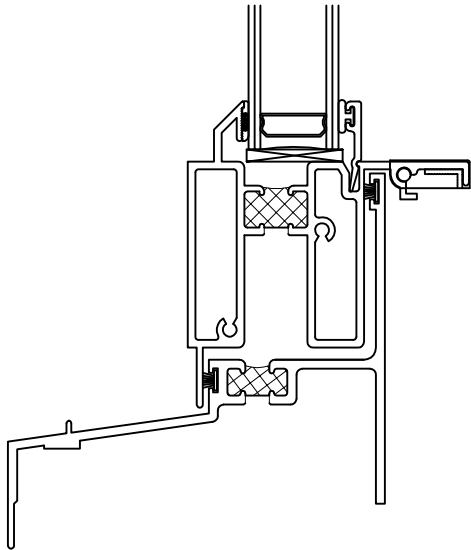
Note: Sealant Not Shown On Details. Consult Technical Services At Factory For Sealing Procedures.



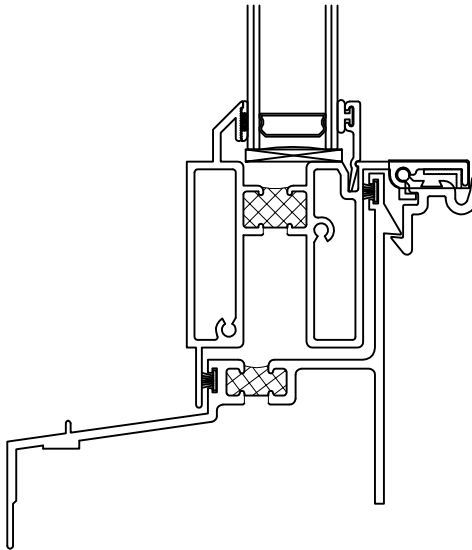
Historic Single Hung Equal Leg 12 PSF Sill
#224123



Historic Single Hung Equal Leg 12 PSF Sill
w/Spring Latch Barb
#224121



Historic Single Hung Pan Leg 12 PSF Sill
#224122



Historic Single Hung Pan Leg 12 PSF Sill
w/Spring Latch Barb
#224120