

Single Hung Concave Glazing Side Load - 4"

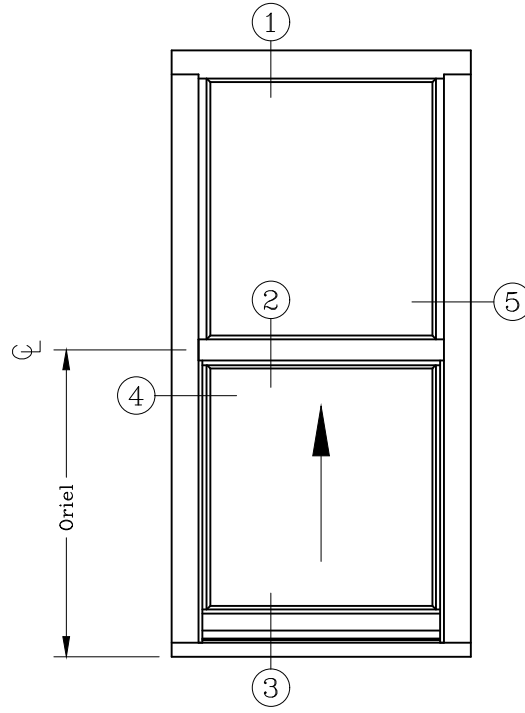
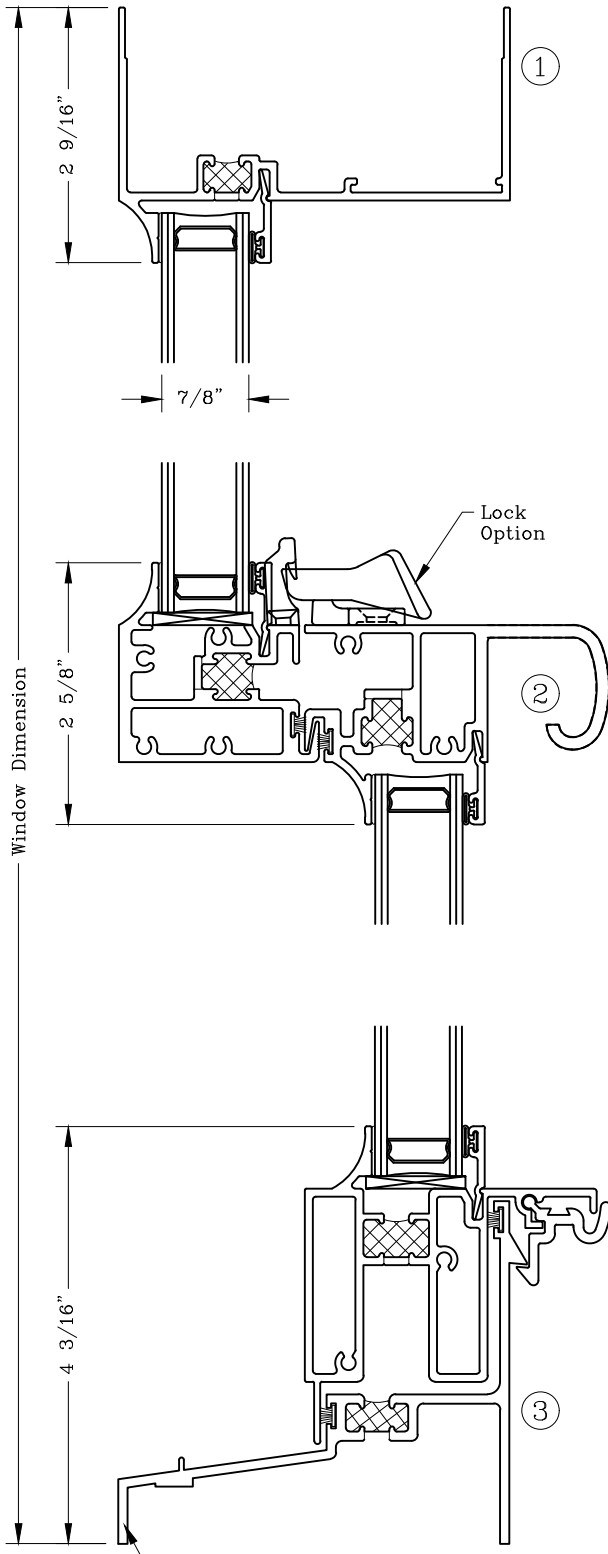


Series: 2200

Manufacturing Code: 2232

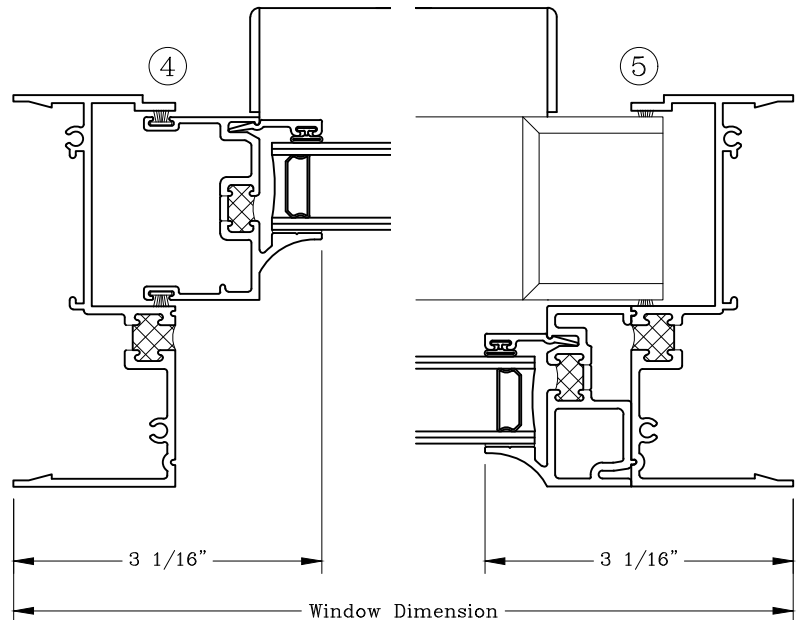
Drawing 1/2 Scale - For Custom Size Drawing Contact Graham

Note: Sealant Not Shown On Details. Refer To General Installation Instructions.



ELEVATION

Jamb Style Shown For Block And Tackle and Class "5" Balances



Equal Leg Shown. Pan Leg Available For Attached Panning Only

Graham Architectural Products reserves the right to change, add, cancel, remove or otherwise modify the details illustrated without prior notice.