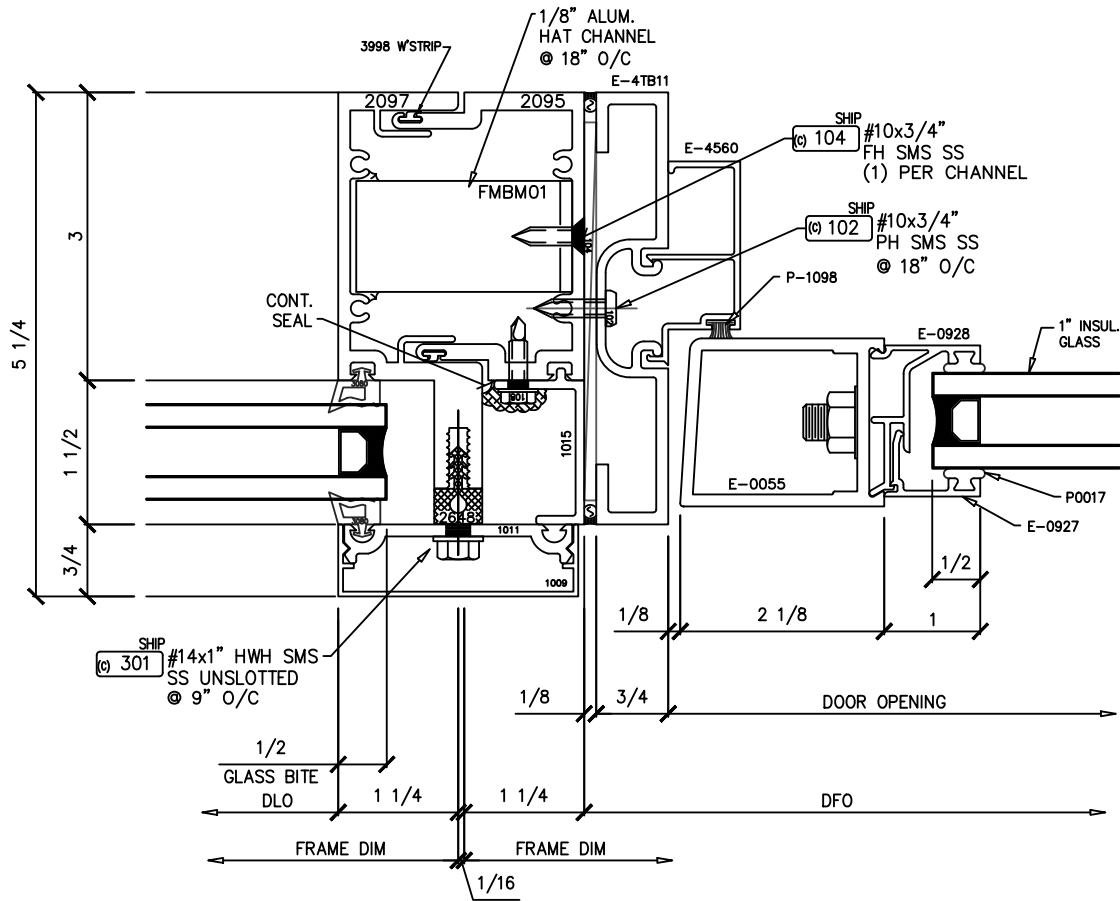


2-1/2" x 5-1/2"  
 Curtain Wall  
 Series: 2505C  
 Detail F



Drawing 1/2 Scale - For Custom Size Drawing Contact Graham

Note: Consult Technical Services At Factory For Sealing Procedures.



(F) Door Jamb

[Back to Typical Elevation](#)