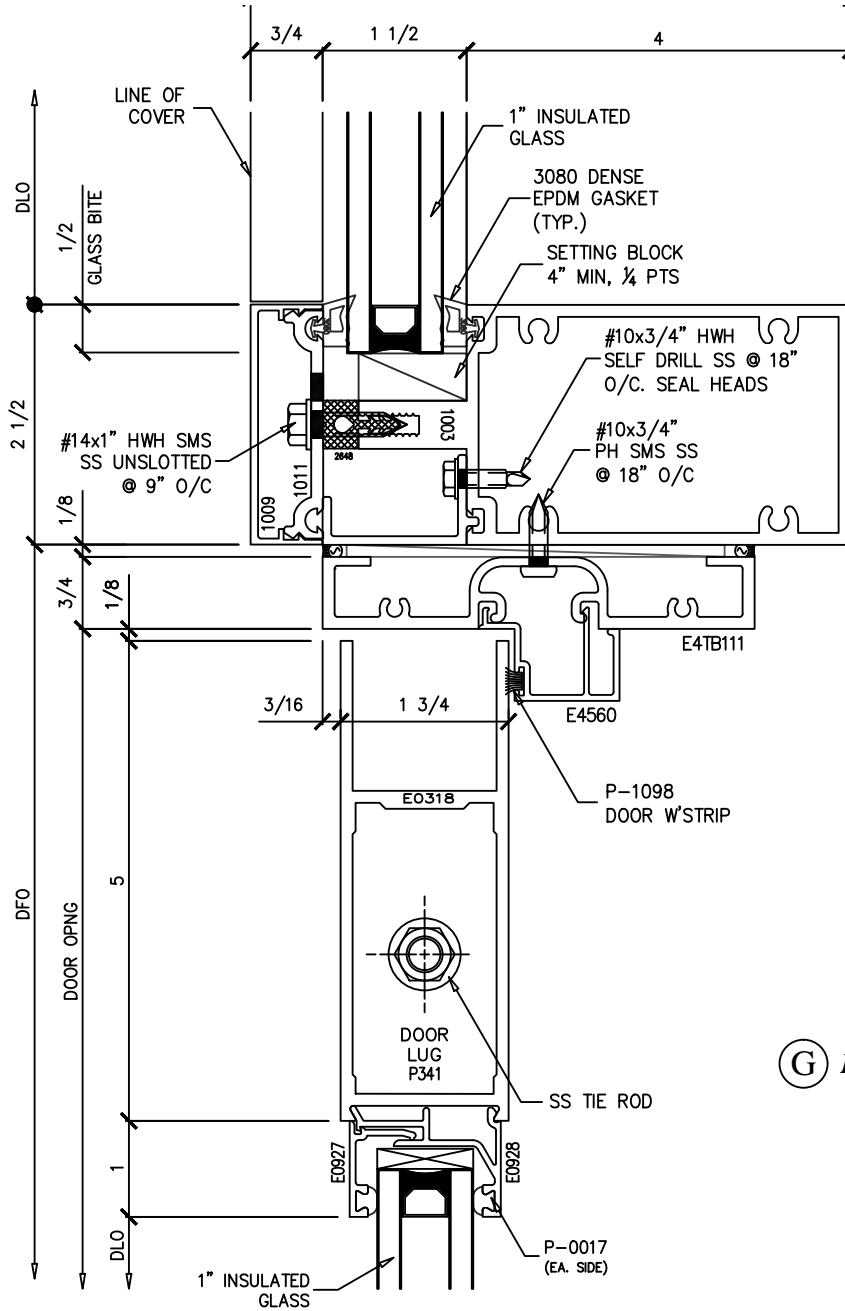


2-1/2" x 6"
Curtain Wall
Series: 2506C
Detail G

Drawing 1/2 Scale - For Custom Size Drawing Contact Graham

Note: Consult Technical Services At Factory For Sealing Procedures.



G Door Header

[Back to Typical Elevation](#)