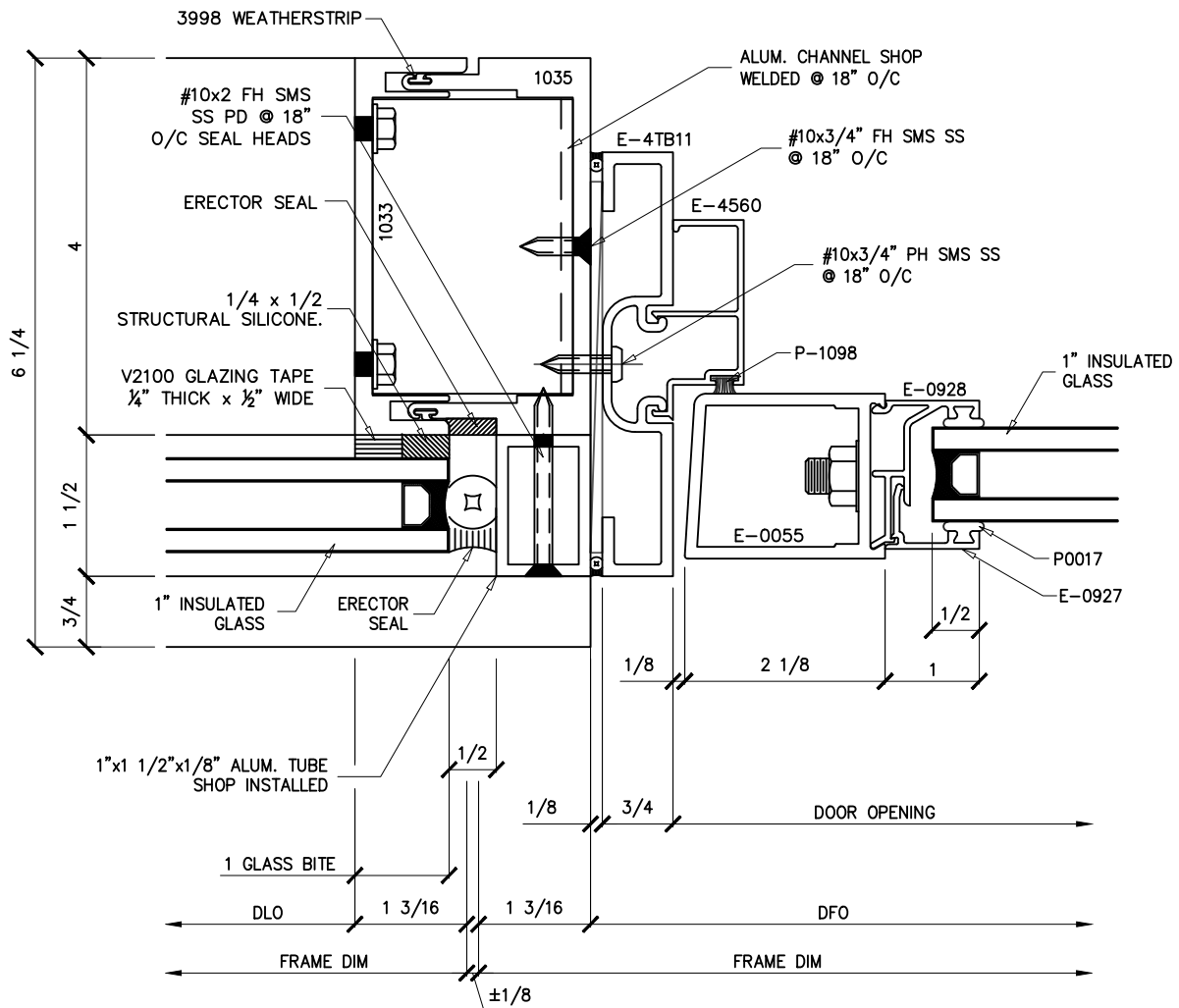


2-1/2" x 6"
 Curtain Wall
 Series: 2506S
 Detail Q



Drawing 1/2 Scale - For Custom Size Drawing Contact Graham

Note: Consult Technical Services At Factory For Sealing Procedures.



Q Structurally Glazed Door Jamb

[Back to Typical Elevation](#)