

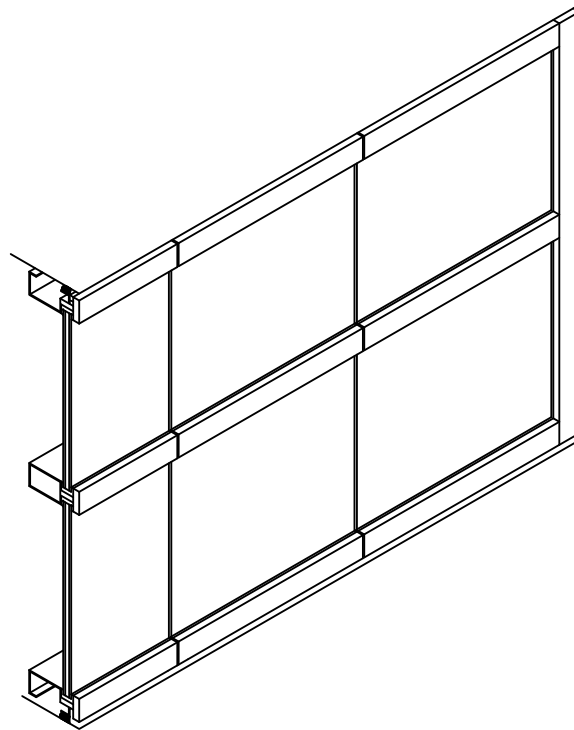
2-1/2" x 8"  
Curtain Wall  
Series: 2508S



Product Description

Drawing Not To Scale – For Custom Size Drawing Contact Graham

Note: Consult Technical Services At Factory For Sealing Procedures.



*Graham 2508S series curtainwall is an outside vertically butt glazed system designed for low to medium rise structures. It has a face width of 2 1/2" and a depth of 8 1/4". It incorporates a split male-female vertical mullion which allows factory assembly and sealing of the frame.*

*The 2508S series incorporates 1/4" glazing gaskets and a 3/8" thick thermal isolator at the horizontals. It can accommodate infill material from 1/4" up to 1" thick. Infill material is secured at the horizontal with a screw applied pressure plate. A snap-on cover conceals the pressure plate screws and allows the use of different finishes on the interior and exterior exposed metal surfaces. The glass is secured to the vertical with a 1/4"x1/2" structural silicone seal.*