

Vandal Screen

SS Mesh

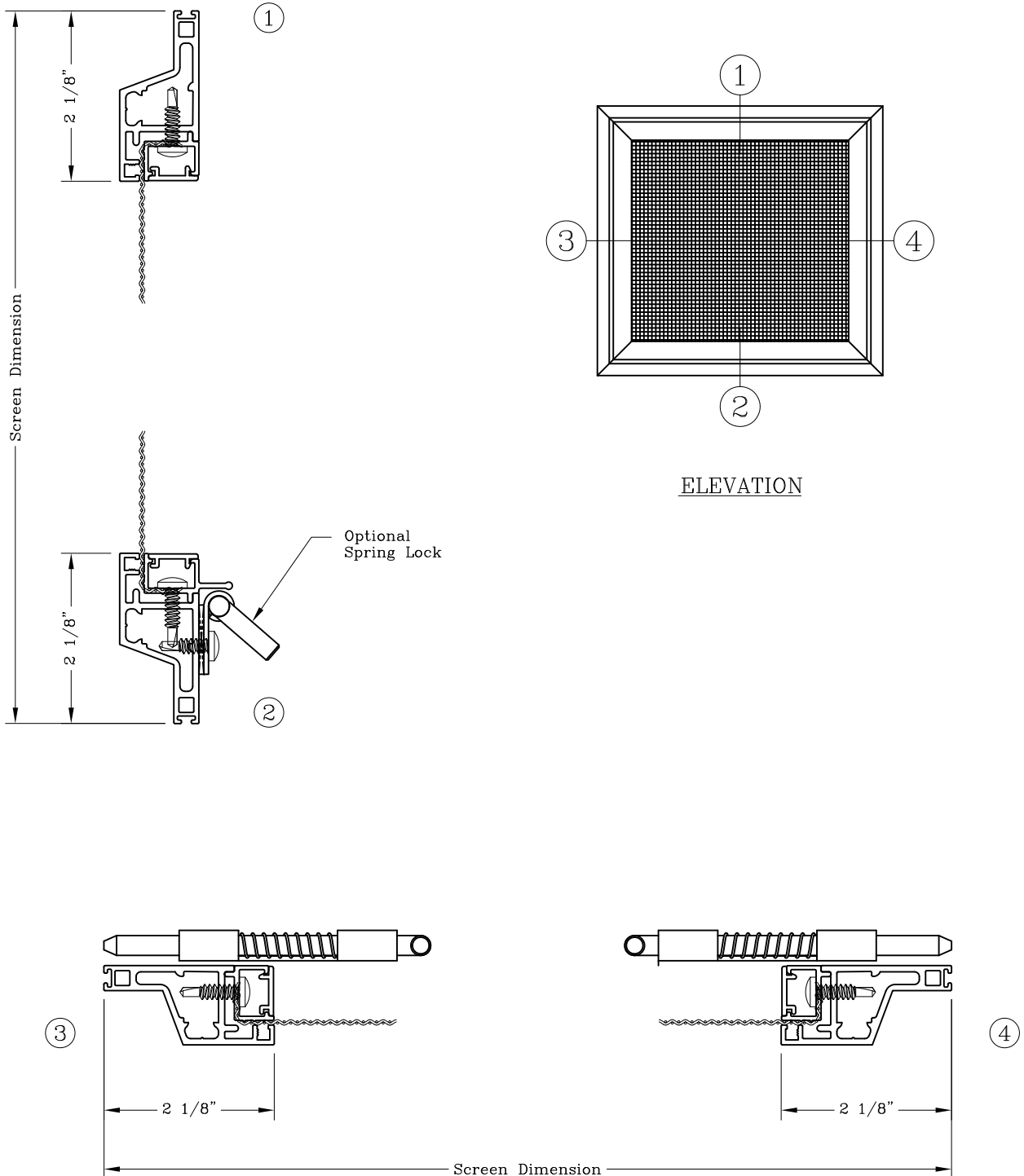
Half Screen/Optional Spring Latch



Series: 8600 (Formerly: 8600) Manufacturing Code: 8601.1000

Drawn $\frac{1}{2}$ Scale - For Custom Size Drawings Contact Graham

Note: Sealant not shown on details. Consult Technical Services for sealing procedures



Vandal Screen

SS Mesh

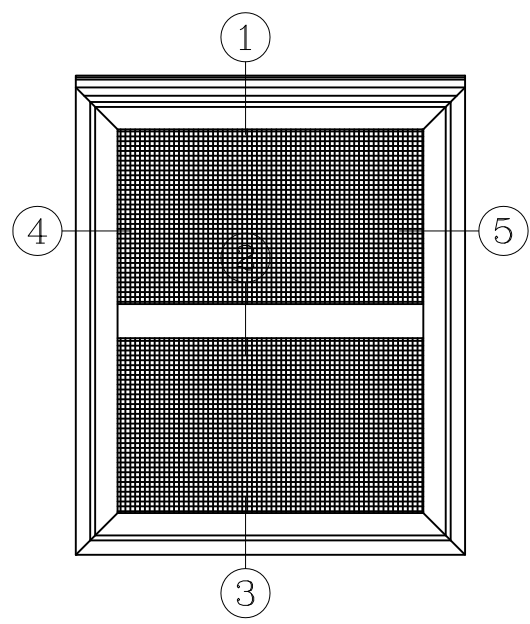
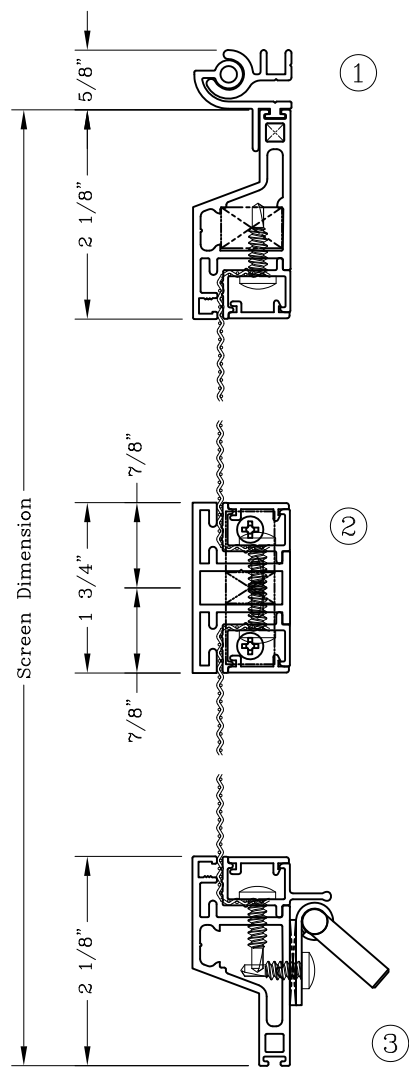
Full Screen/Optional Spring Latch



Series: 8600 (Formerly: 8600) Manufacturing Code: 8602.1000

Drawn $\frac{1}{2}$ Scale - For Custom Size Drawings Contact Graham

Note: Sealant not shown on details. Consult Technical Services for sealing procedures



ELEVATION

