

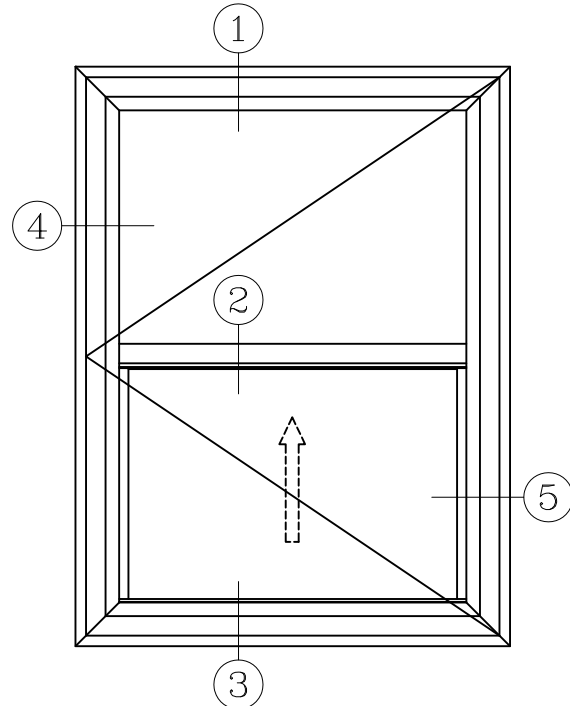
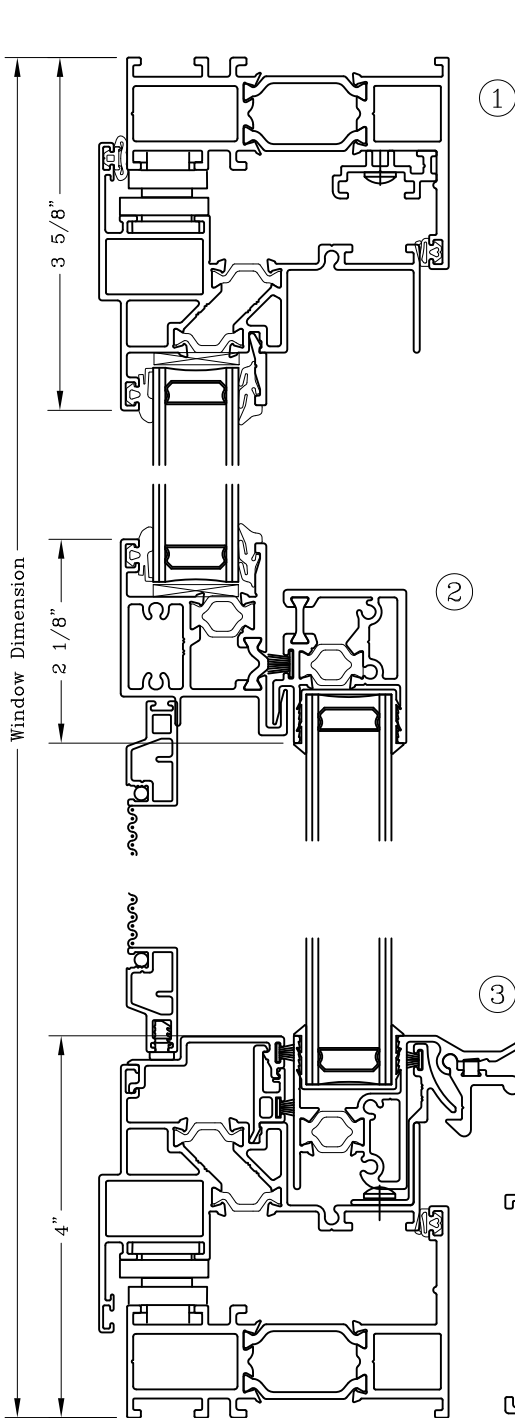
# Casement/Single Hung-3 3/8" Project-Out Emergency Egress



Series: GT 9-1-1 (Formerly: GTP911 ) Manufacturing Code: GT911.01.3375

Drawn 1/2 Scale - For Custom Size Drawings Contact Graham

Note: Sealant not shown on details. Consult Technical Services for sealing procedures



ELEVATION

DEDUCTS FOR EGRESS DIMENSIONS:

FRAME WIDTH - 6.5" = EGRESS WIDTH

FRAME HEIGHT - 4.375" = EGRESS HEIGHT

EXAMPLE: 32X48 FRAME WILL NET 25.50 X 43.625 DLO YIELDING 7.72 SQ/FT  
MIN. FRAME SIZE = 26.50" X 46.50" NET OF 20 X 42.125" DLO ≠ 5.85 SQ/FT

\*CHECK LOCAL BUILDING CODES FOR YOUR PROJECT

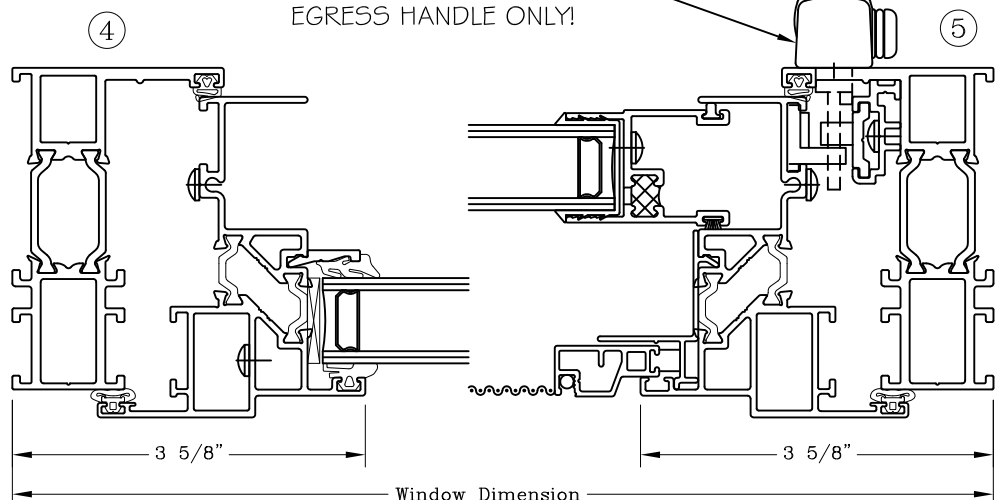
DEDUCTS FOR VENTILATION DIMENSIONS:

FRAME WIDTH - 6" = OPEN AREA WIDTH

FRAME HEIGHT/2 - 7" = OPEN AREA HEIGHT

EXAMPLE: 32X48 FRAME WILL NET 26" X 17" O.A. YIELDING 3.062 SQ/FT

RED EMERGENCY  
EGRESS HANDLE ONLY!



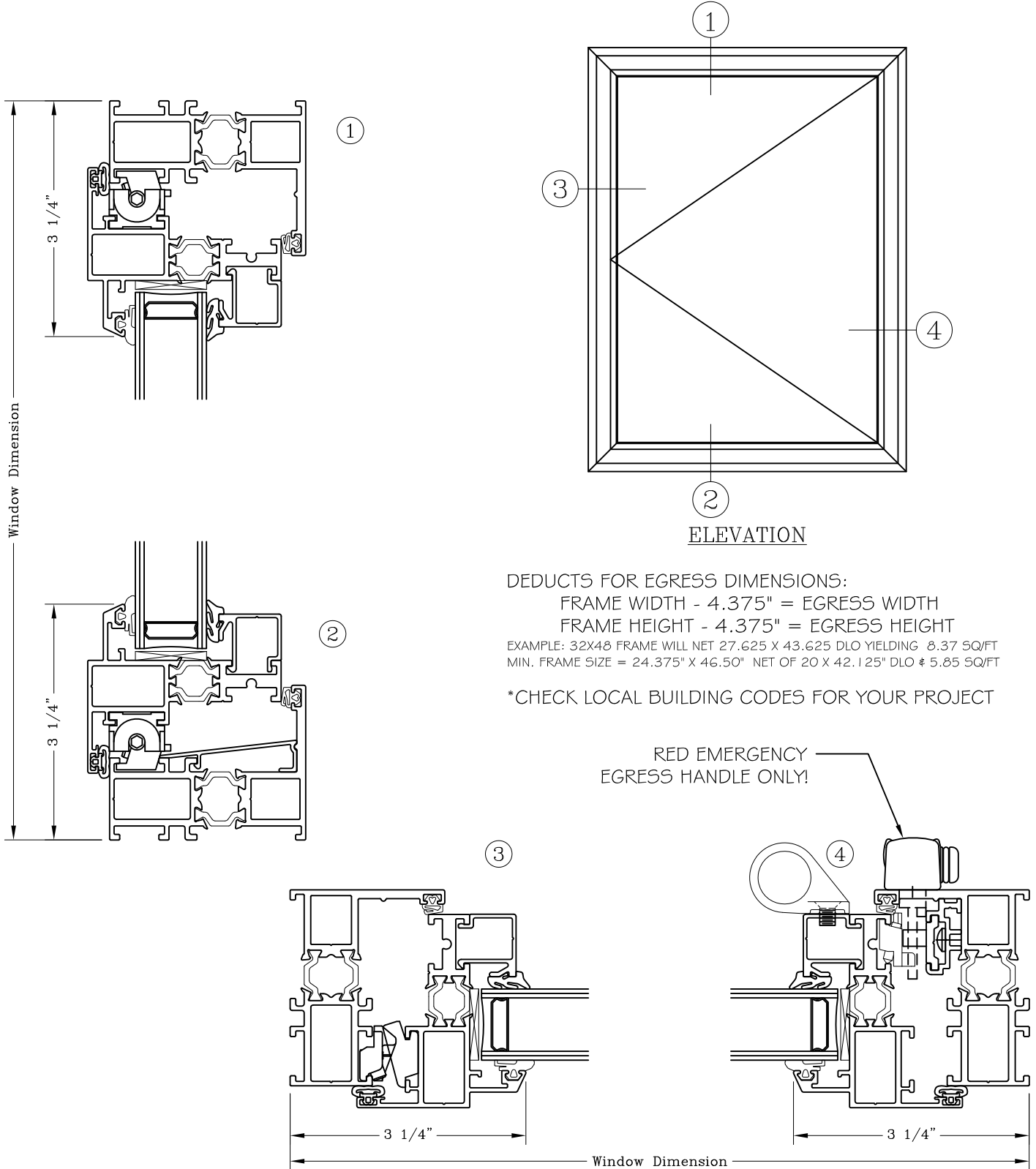
# Casement – 2 3/4” Project-Out Emergency Egress



Series: GT 9-1-1 (Formerly: GTP 911) Manufacturing Code: GT911.02.2750

Drawn 1/2 Scale – For Custom Size Drawings Contact Graham

Note: Sealant not shown on details. Consult Technical Services for sealing procedures



ELEVATION

DEDUCTS FOR EGRESS DIMENSIONS:

FRAME WIDTH - 4.375" = EGRESS WIDTH

FRAME HEIGHT - 4.375" = EGRESS HEIGHT

EXAMPLE: 32X48 FRAME WILL NET 27.625 X 43.625 DLO YIELDING 8.37 SQ/FT  
MIN. FRAME SIZE = 24.375" X 46.50" NET OF 20 X 42.125" DLO = 5.85 SQ/FT

\*CHECK LOCAL BUILDING CODES FOR YOUR PROJECT

RED EMERGENCY  
EGRESS HANDLE ONLY!