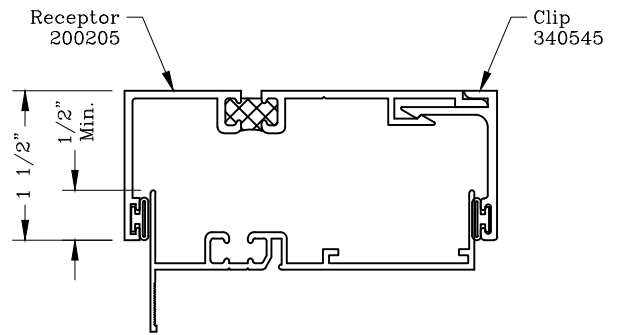
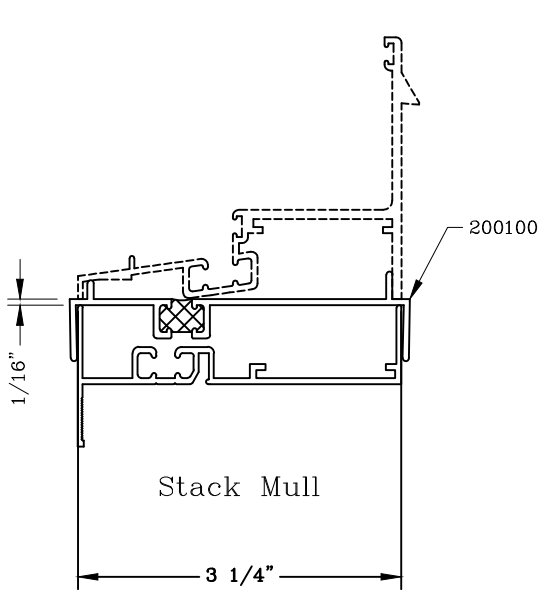


Accessories – 3 1/4" Products

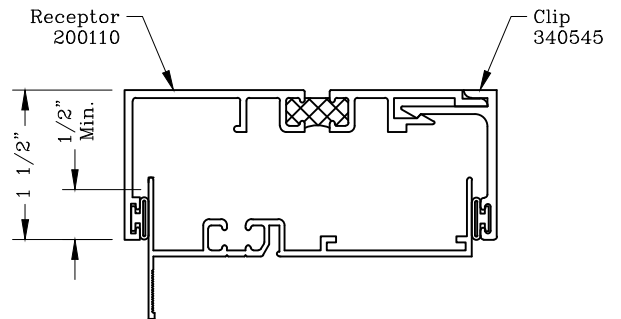
Series: Accessories Manufacturing Code: AC03A

Drawing 1/2 Scale – For Custom Size Drawing Contact Graham

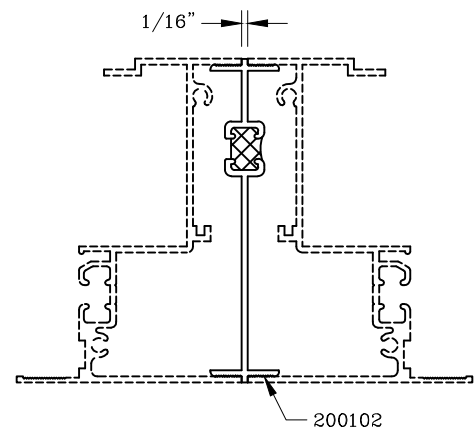
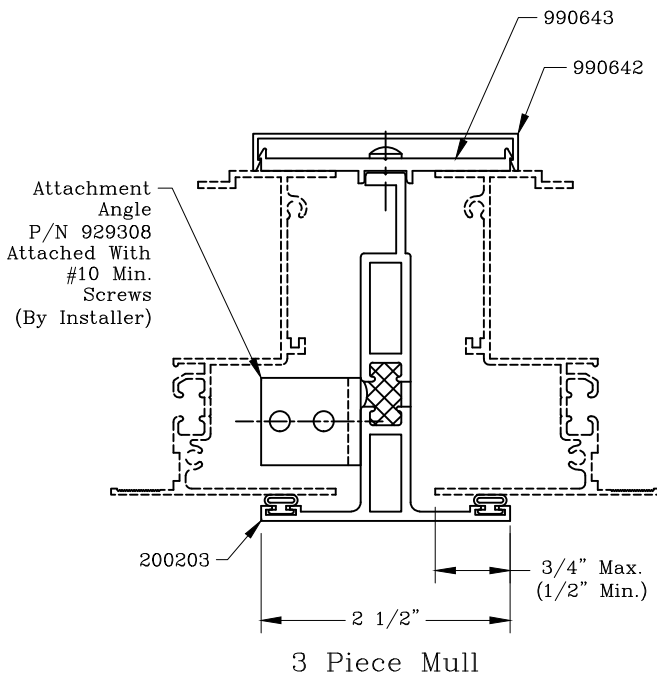
Note: Sealant Not Shown On Details. Consult Technical Services At Factory For Sealing Procedures.



Receptor & Clip



Receptor & Clip



1/16" Mull