

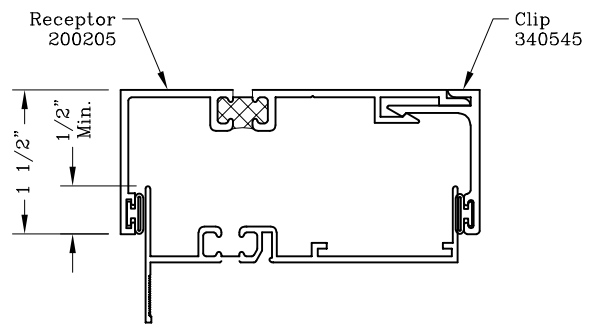
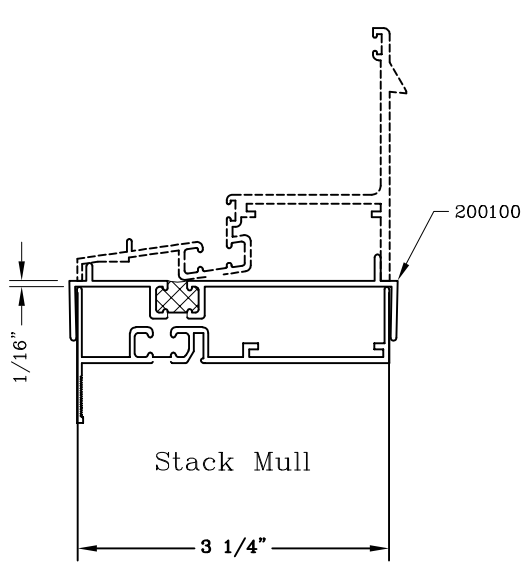
Accessories – 3 1/4" Products



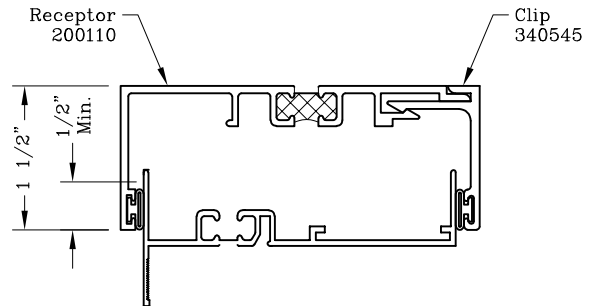
Series: Accessories Manufacturing Code: AC03A

Drawing 1/2 Scale – For Custom Size Drawing Contact Graham

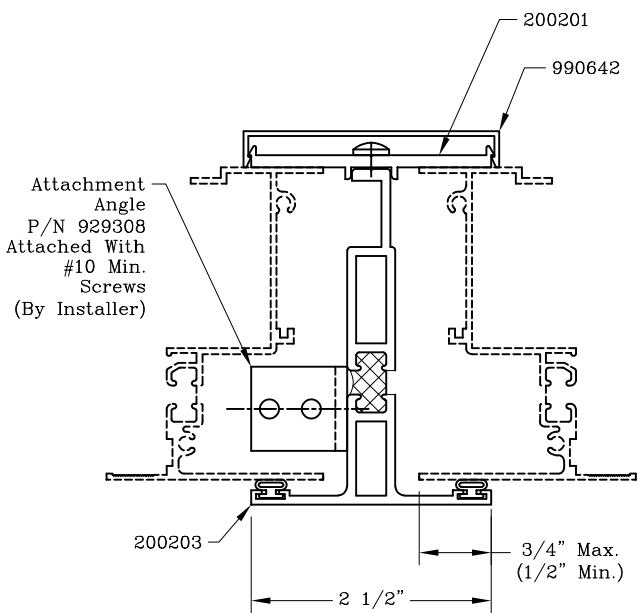
Note: Sealant Not Shown On Details. Refer To General Installation Instructions.



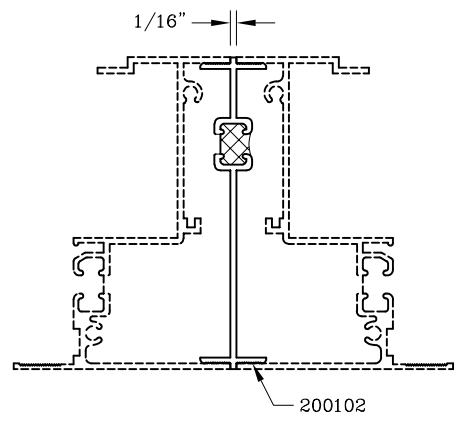
Receptor & Clip



Receptor & Clip



3 Piece Mull



1/16" Mull