

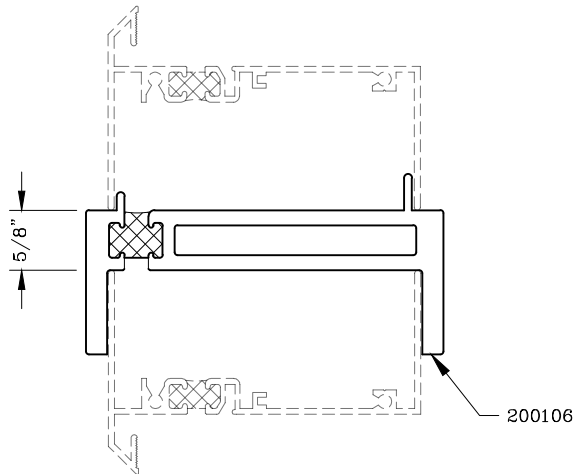
Accessories – 3 1/4" Products



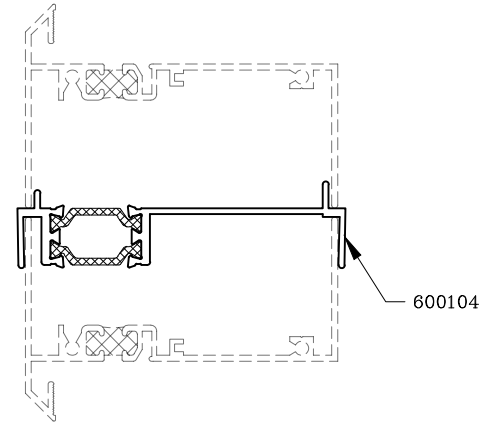
Series: Accessories Manufacturing Code: AC03F

Drawing 1/2 Scale – For Custom Size Drawing Contact Graham

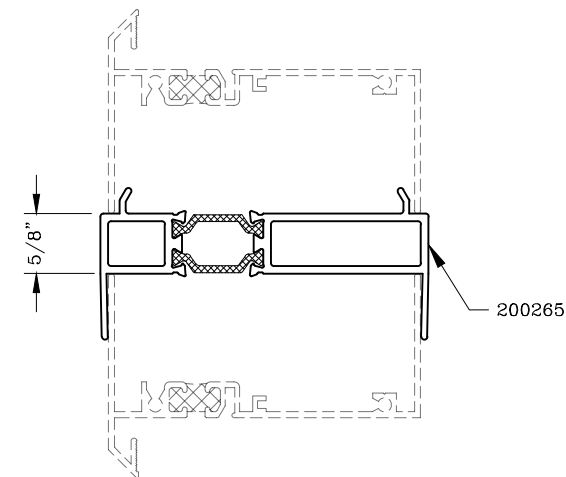
Note: Sealant Not Shown On Details. Refer To General Installation Instructions.



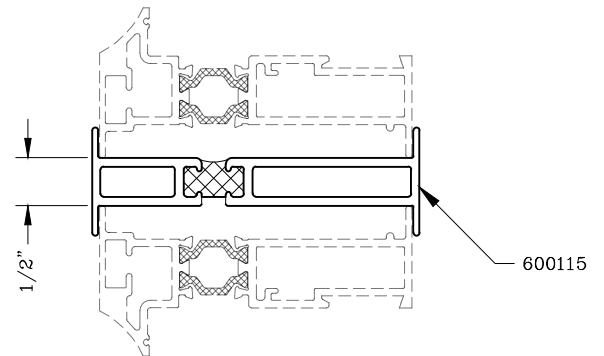
Stack Mull – Heavy Wall



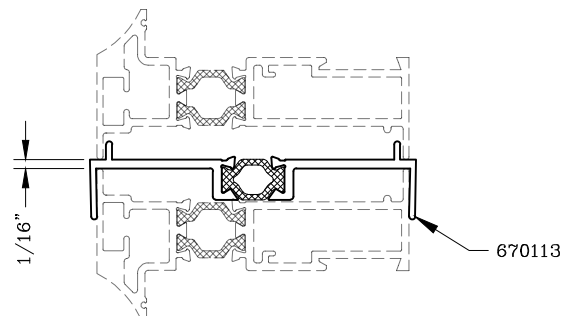
Stack Mull – Strutted



Stack Mull – Strutted



Stack Mull – SR6700



Stack Mull – SR6700