

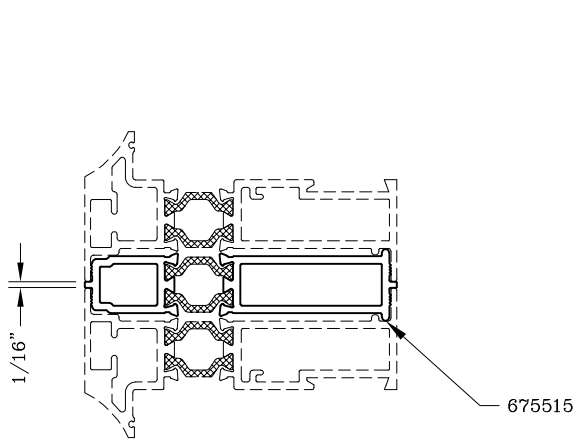
Accessories – 3 1/4" Products



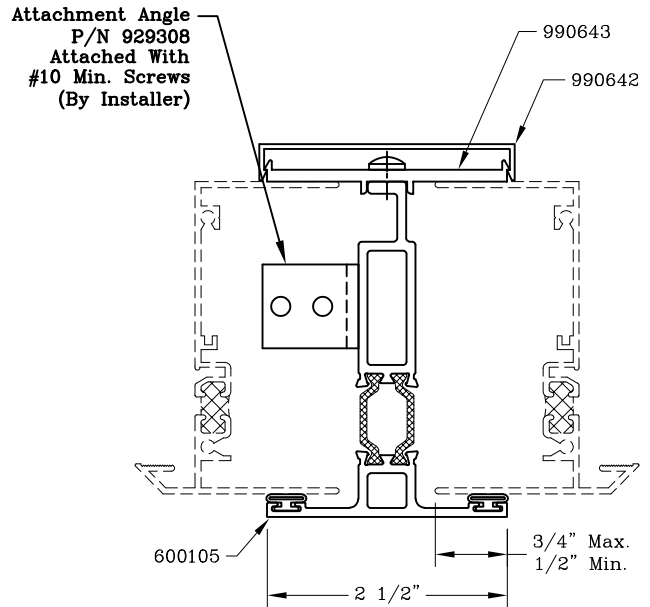
Series: Accessories Manufacturing Code: AC03G

Drawing 1/2 Scale – For Custom Size Drawing Contact Graham

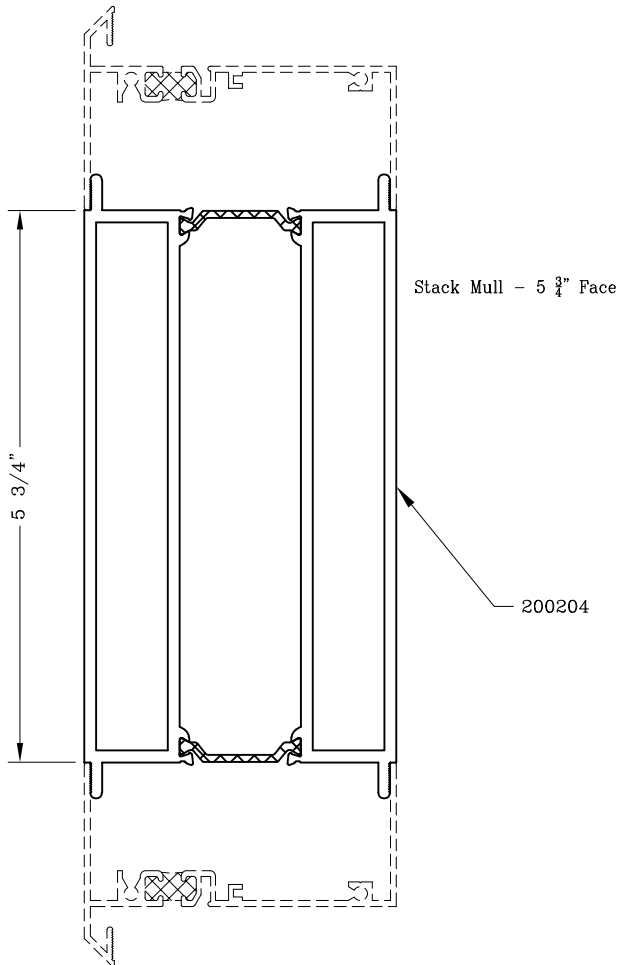
Note: Sealant Not Shown On Details. Refer To General Installation Instructions.



1/8" Mull – SR6700 Strutted

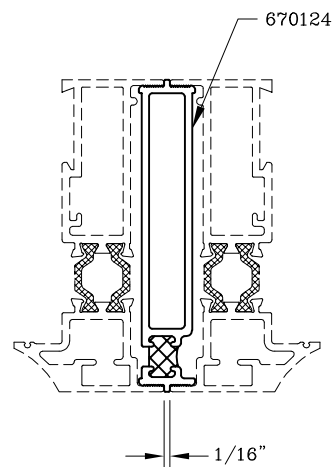


3 Piece Mull



Stack Mull – 5 3/4" Face

200204



1/8" Mullion – SR6700

Graham Architectural Products reserves the right to change, add, cancel, remove or otherwise modify the details illustrated without prior notice.

1551 Mt. Rose Avenue, York, Pennsylvania 17403-2909 717.849.8100 Toll Free: 800/755-6274

0223 – AC.03G

Web Site: www.grahamwindows.com