

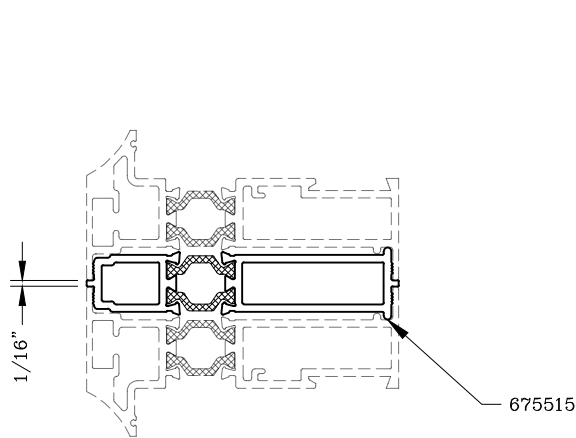
Accessories – 3 1/4" Products



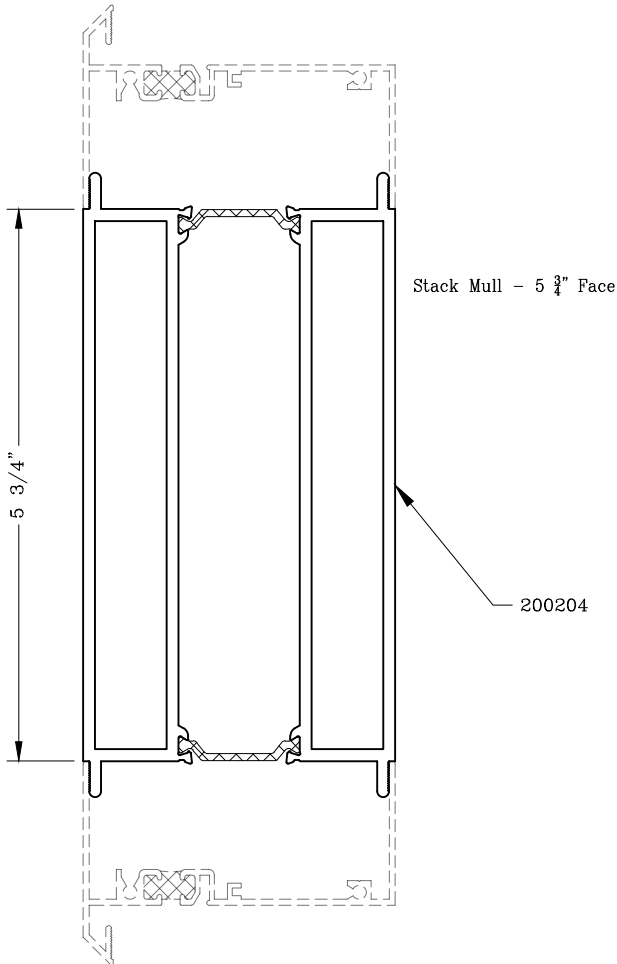
Series: Accessories Manufacturing Code: AC03G

Drawing 1/2 Scale – For Custom Size Drawing Contact Graham

Note: Sealant Not Shown On Details. Refer To General Installation Instructions.

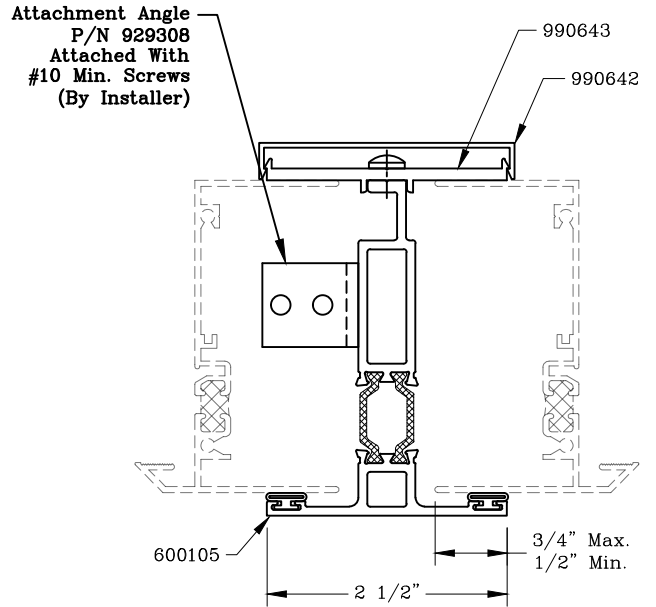


1/8" Mull – SR6700 Strutted

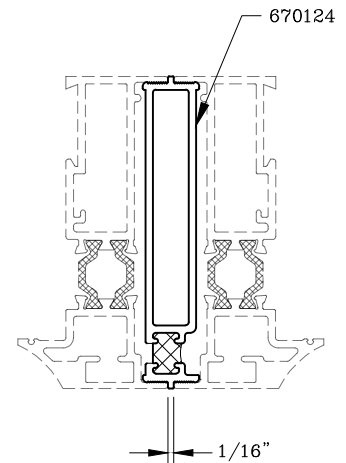


Stack Mull – 5 3/4" Face

200204



3 Piece Mull



1/8" Mullion – SR6700