

Accessories - 3 1/4" Products

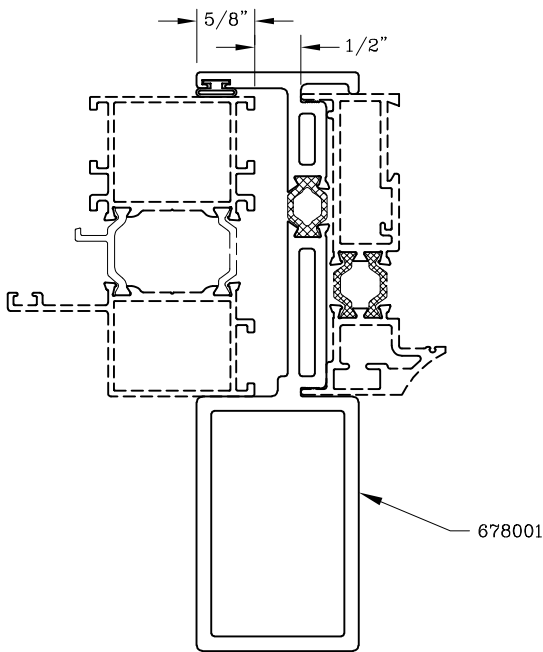


Series: Accessories Manufacturing Code: AC03I

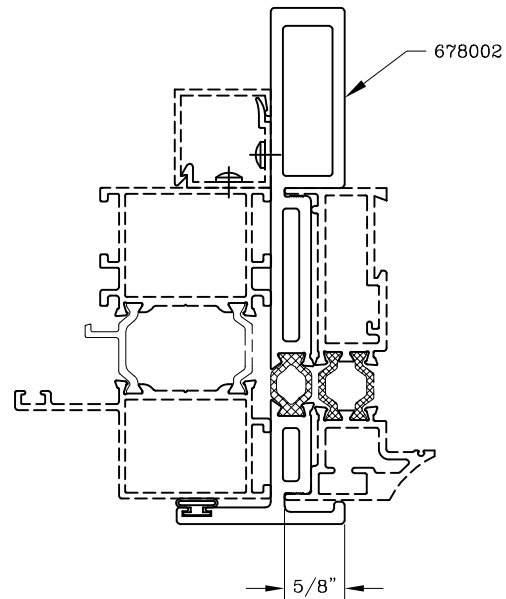
Drawing 1/2 Scale - For Custom Size Drawing Contact Graham

Note: Sealant Not Shown On Details. Refer To General Installation Instructions.

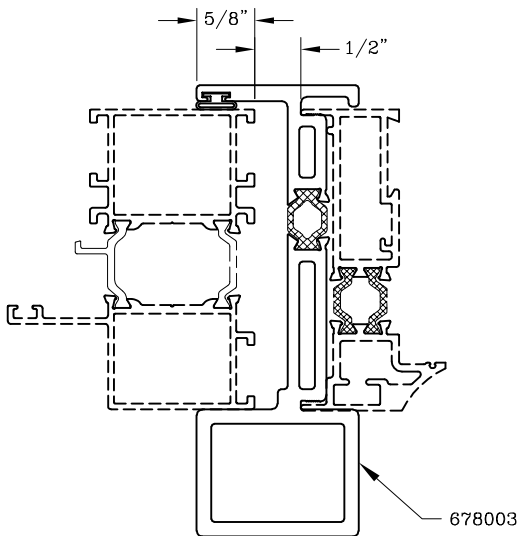
Vertical Tube Mull SR6700 - 6 1/4"



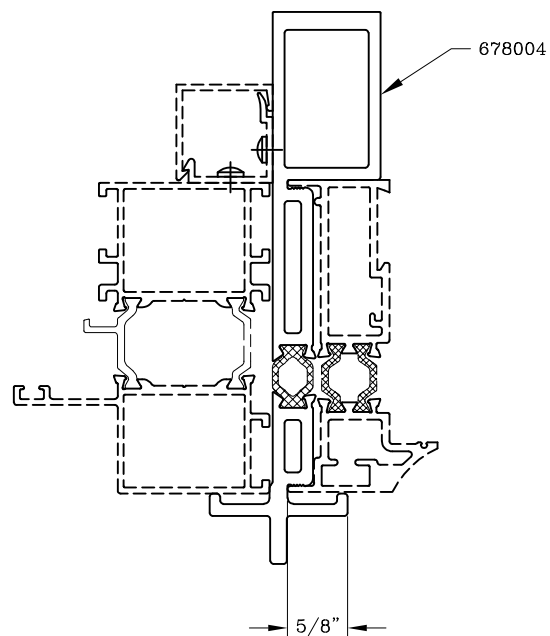
Transition Mull SR6700 - GT7700



Vertical Tube Mull SR6700 - 4 7/8"



Transition Mull SR6700 - GT7700



Graham Architectural Products reserves the right to change, add, cancel, remove or otherwise modify the details illustrated without prior notice.

1551 Mt. Rose Avenue, York, Pennsylvania 17403-2909 717.849.8100 Toll Free: 800/755-6274

0223 - AC.03I

Web Site: www.grahamwindows.com