

# Accessories - 3 1/4" Products

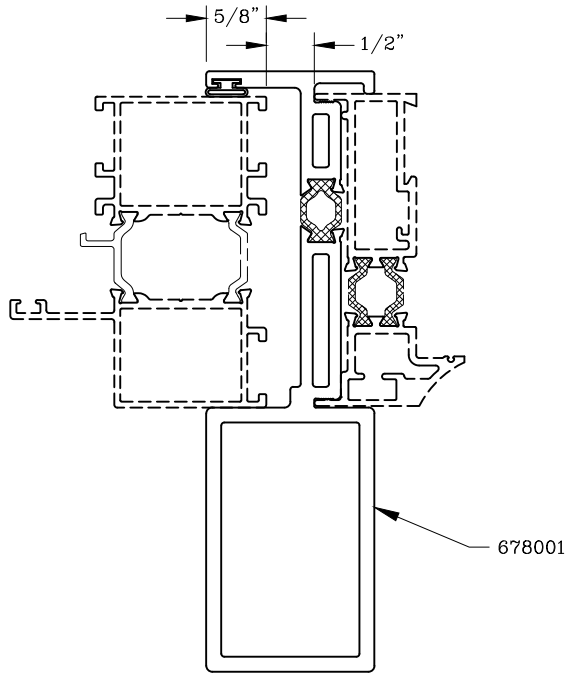


Series: Accessories Manufacturing Code: AC03I

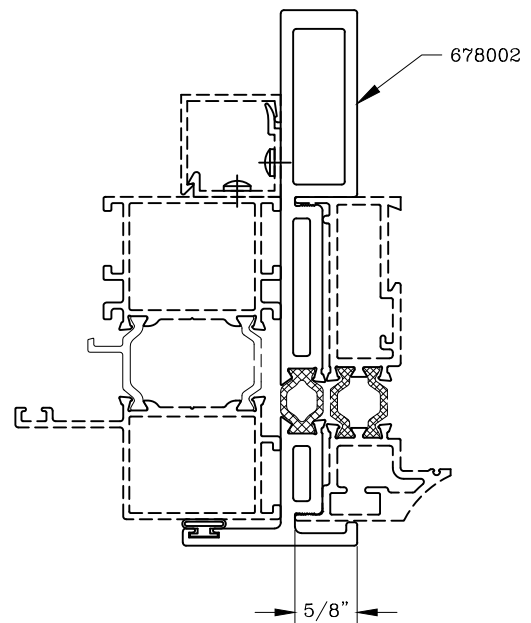
Drawing 1/2 Scale - For Custom Size Drawing Contact Graham

Note: Sealant Not Shown On Details. Refer To General Installation Instructions.

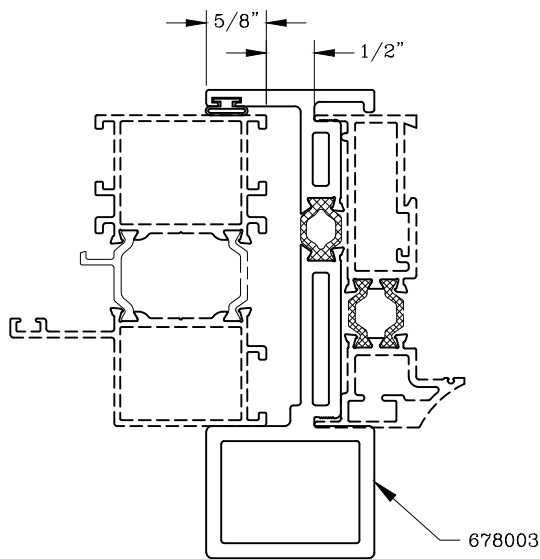
Vertical Tube Mull SR6700 - 6 1/4"



Transition Mull SR6700 - GT7700



Vertical Tube Mull SR6700 - 4 7/8"



Transition Mull SR6700 - GT7700

