

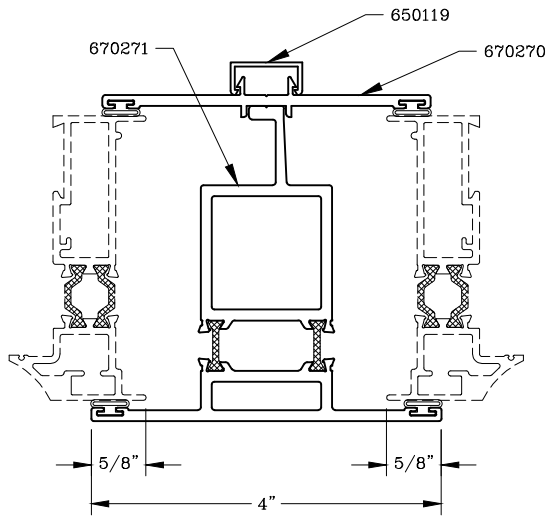
Accessories – 3 1/4" Products



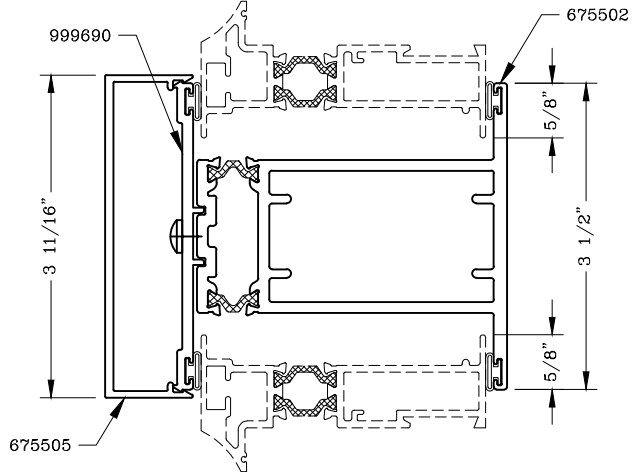
Series: Accessories Manufacturing Code: AC03K

Drawing 1/2 Scale – For Custom Size Drawing Contact Graham

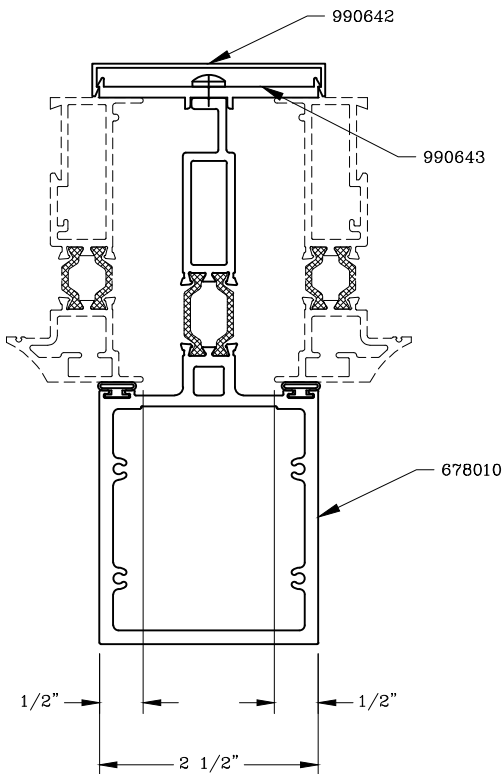
Note: Sealant Not Shown On Details. Refer To General Installation Instructions.



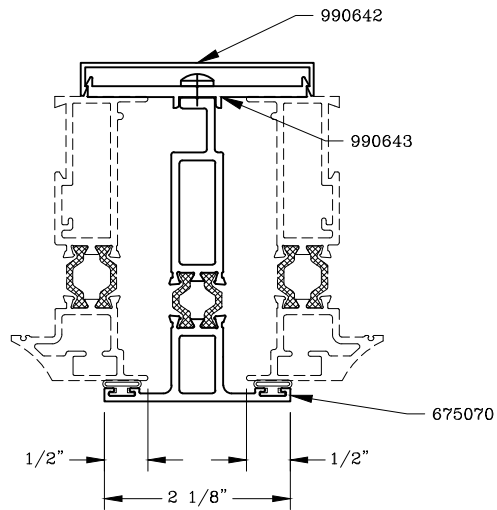
Vertical Mullion – 4" Face



Horizontal Mullion



Vertical Tube Mullion – 2 1/8" Face



Vertical Mullion – 2 1/8" Face