

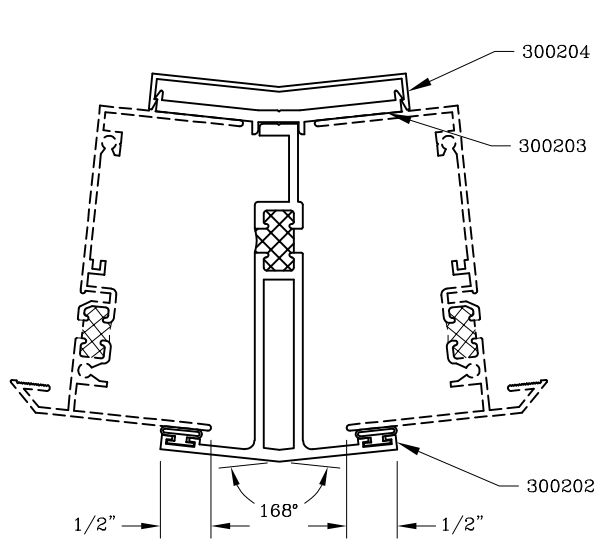
Accessories - 3 1/4" Products



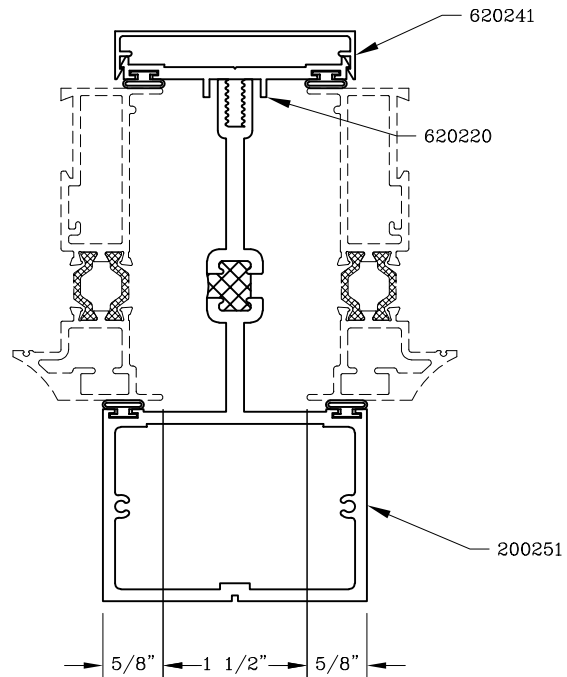
Series: Accessories Manufacturing Code: AC03N

Drawing 1/2 Scale - For Custom Size Drawing Contact Graham

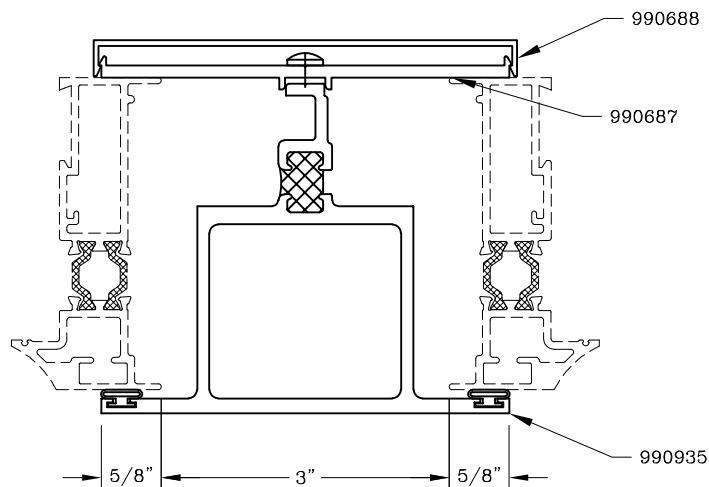
Note: Sealant Not Shown On Details. Refer To General Installation Instructions.



3 Piece Mullion - 168°



3 Piece Mullion - Tube



3 Piece Mullion - 4 1/4" Face

Graham Architectural Products reserves the right to change, add, cancel, remove or otherwise modify the details illustrated without prior notice.

1551 Mt. Rose Avenue, York, Pennsylvania 17403-2909 717.849.8100 Toll Free: 800/755-6274

0223 - AC.03N

Web Site: www.grahamwindows.com