

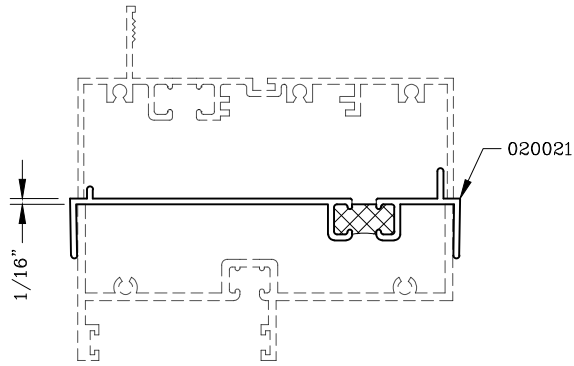
Accessories - 4" Products



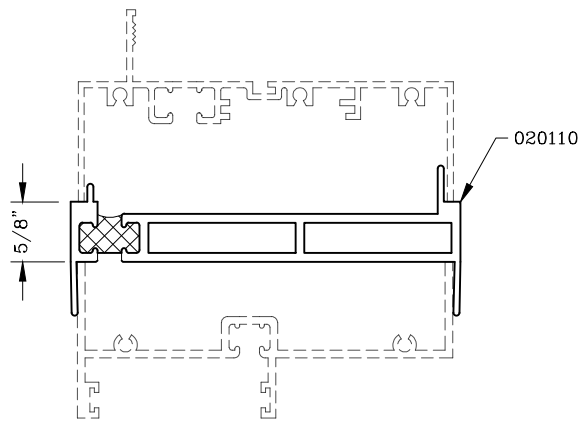
Series: Accessories Manufacturing Code: AC05A

Drawing 1/2 Scale - For Custom Size Drawing Contact Graham

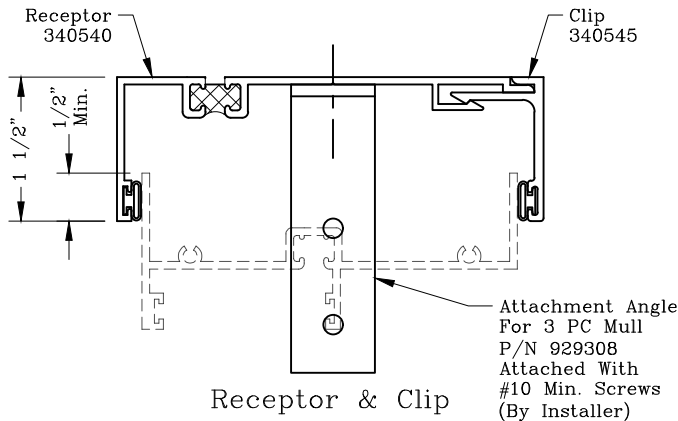
Note: Sealant Not Shown On Details. Refer To General Installation Instructions.



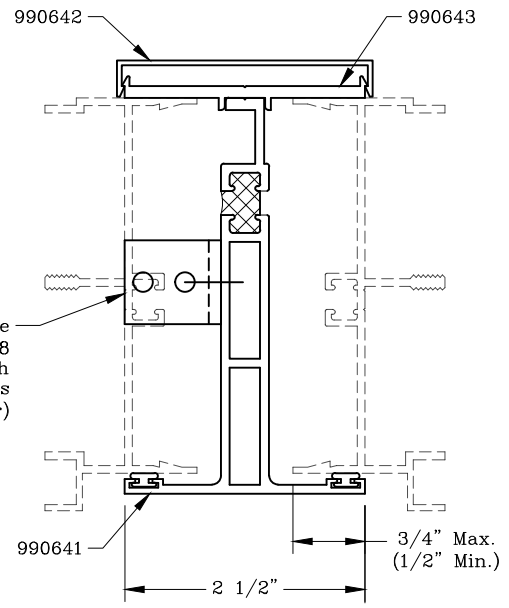
Stack Mull



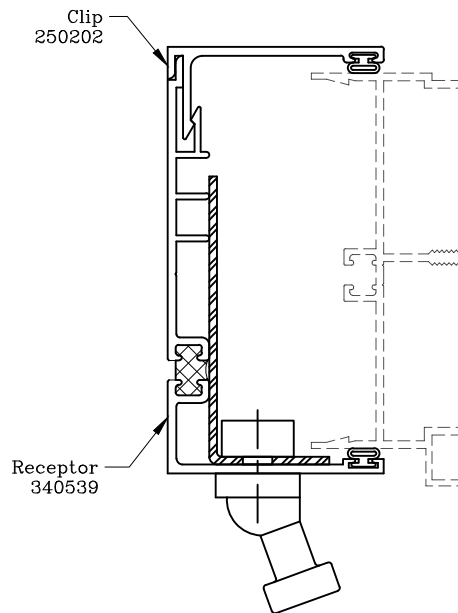
Tube Stack Mull



Receptor & Clip



3 Piece Mull



Receptor & Clip
(To Be Used In Applications Requiring Window Cleaner Bolts)

Graham Architectural Products reserves the right to change, add, cancel, remove or otherwise modify the details illustrated without prior notice.

1551 Mt. Rose Avenue, York, Pennsylvania 17403-2909 800/755-6274 Fax: 800/366-5097

Web Site: www.grahamwindows.com

0522 - AC.05A