

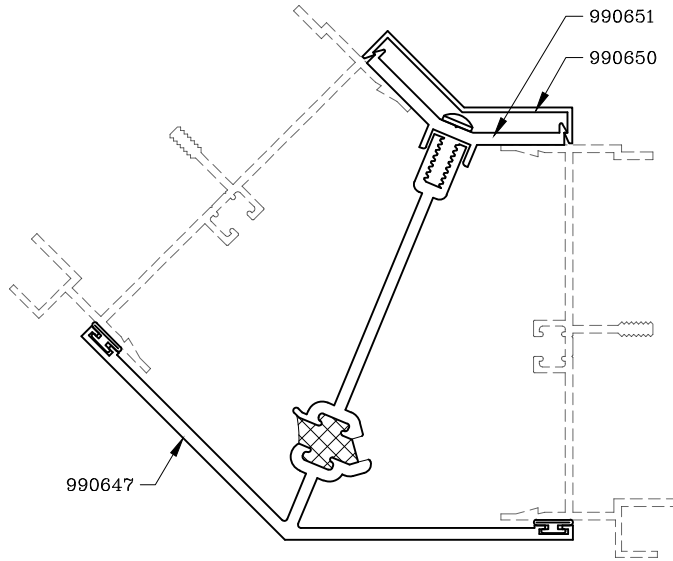
# Accessories – 4” Products



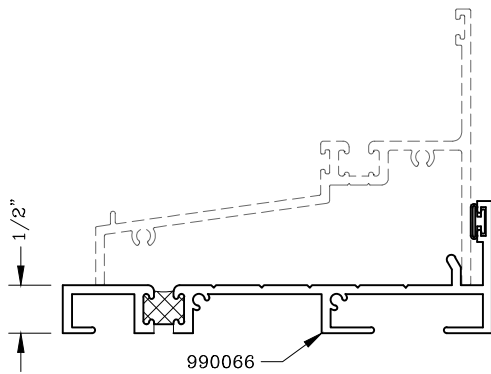
Series: Accessories Manufacturing Code: AC05B

Drawing 1/2 Scale – For Custom Size Drawing Contact Graham

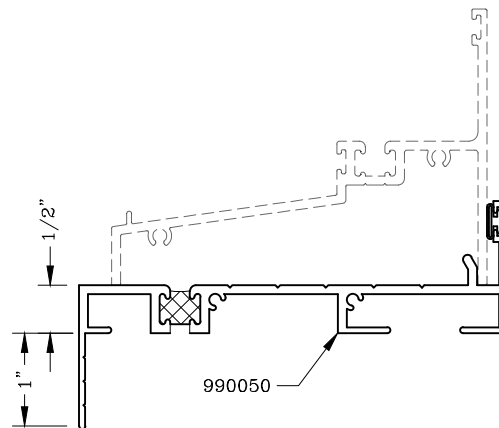
Note: Sealant Not Shown On Details. Refer To General Installation Instructions.



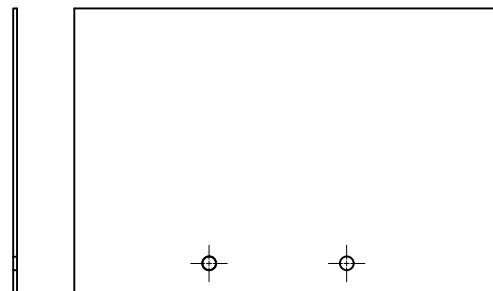
3 Piece 45° Corner Mull



Equal Leg Sill Starter  
(Shown With 2200 Series Sill)



Sill Starter With 1" Flange  
(Shown With 2200 Series Sill)



End Cap For Sill Starters Shown  
P/N 928162  
Attached With  
#6 x 3/4 PH PN LP 410  
P/N 939097

Graham Architectural Products reserves the right to change, add, cancel, remove or otherwise modify the details illustrated without prior notice.

1551 Mt. Rose Avenue, York, Pennsylvania 17403-2909 800/755-6274 Fax: 800/366-5097

Web Site: [www.grahamwindows.com](http://www.grahamwindows.com)

0522 – AC.05B