

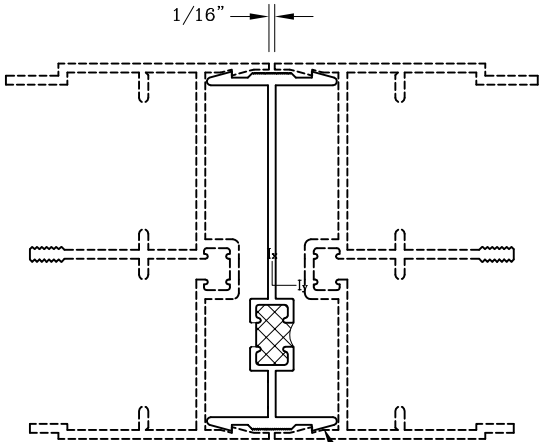
# Accessories – 4” Products



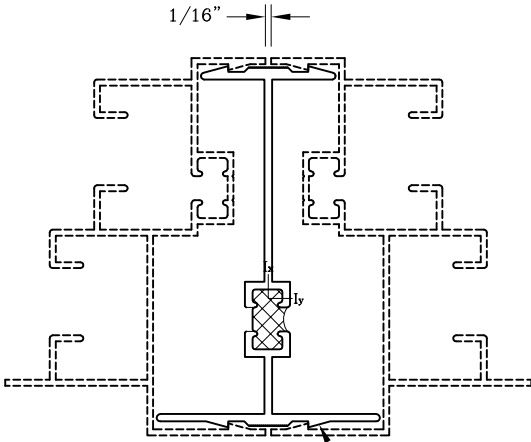
Series: Accessories Manufacturing Code: AC05C

Drawing 1/2 Scale – For Custom Size Drawing Contact Graham

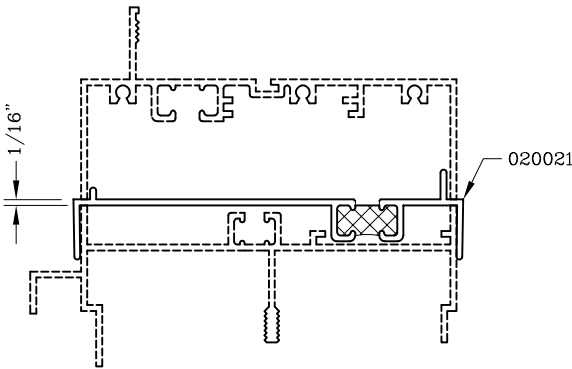
Note: Sealant Not Shown On Details. Consult Technical Services At Factory For Sealing Procedures.



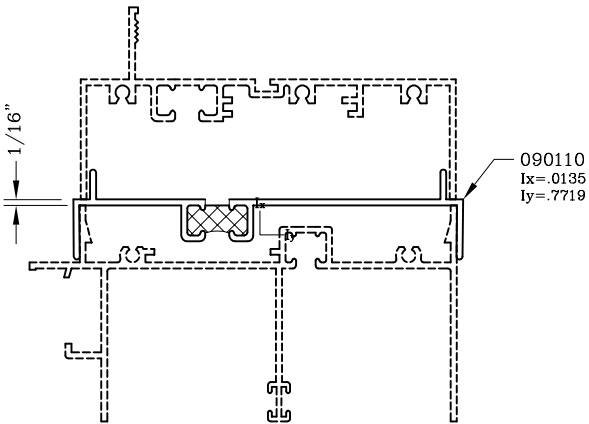
**Zero Mull**  
(For 0200, 1400H & 2200 Series)



**Zero Mull**  
(For 1000, 1400 Std. & 3400 Series)



**Zero Mull**  
(0200 Series To 1400 Series)



**Zero Mull**  
(0900 Series To 1400 Series)