

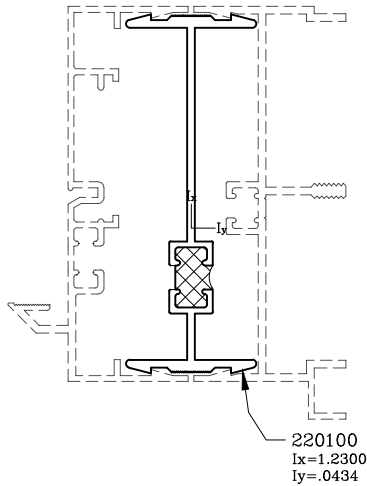
Accessories – 4” Products



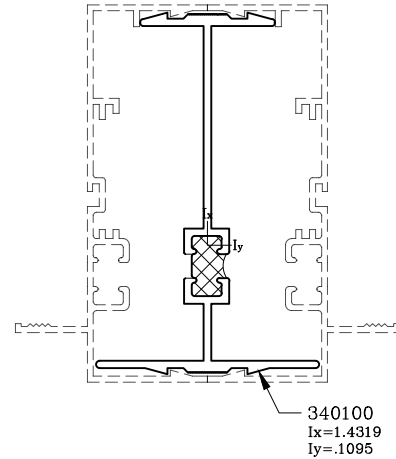
Series: Accessories Manufacturing Code: AC05C

Drawing 1/2 Scale – For Custom Size Drawing Contact Graham

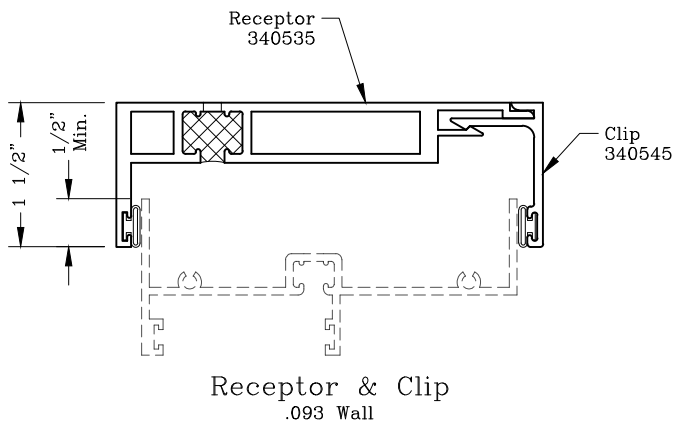
Note: Sealant Not Shown On Details. Refer To General Installation Instructions.



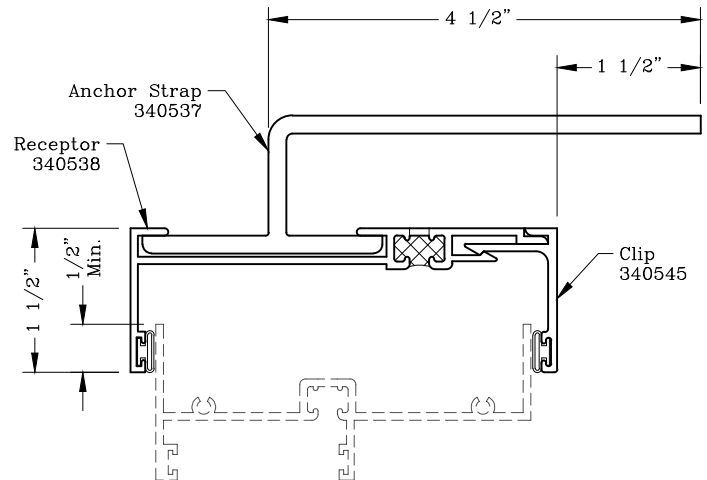
Zero Mull
(1400H To 2200 Series Shown)



Zero Mull
(1400 To 1400 Series Shown)



Receptor & Clip
.093 Wall



Receptor & Clip
With Anchor Strap

Graham Architectural Products reserves the right to change, add, cancel, remove or otherwise modify the details illustrated without prior notice.

1551 Mt. Rose Avenue, York, Pennsylvania 17403-2909 800/755-6274 Fax: 800/366-5097

Web Site: www.grahamwindows.com

0522 – AC.05C