

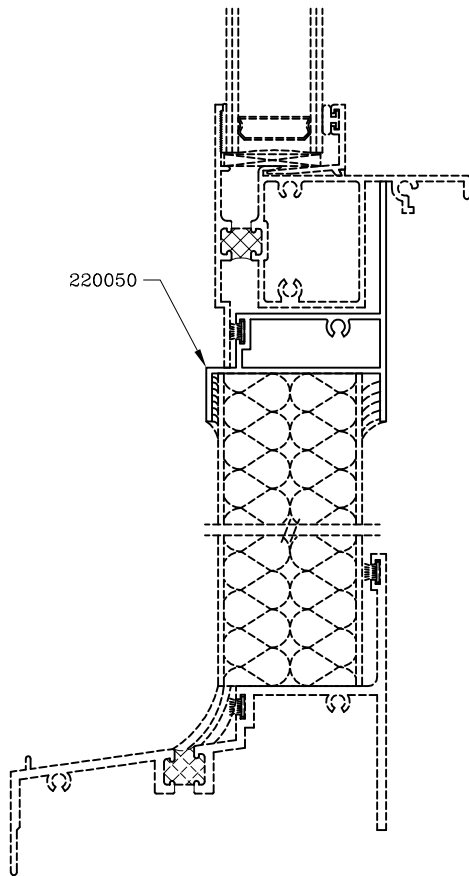
Accessories – 4” Products



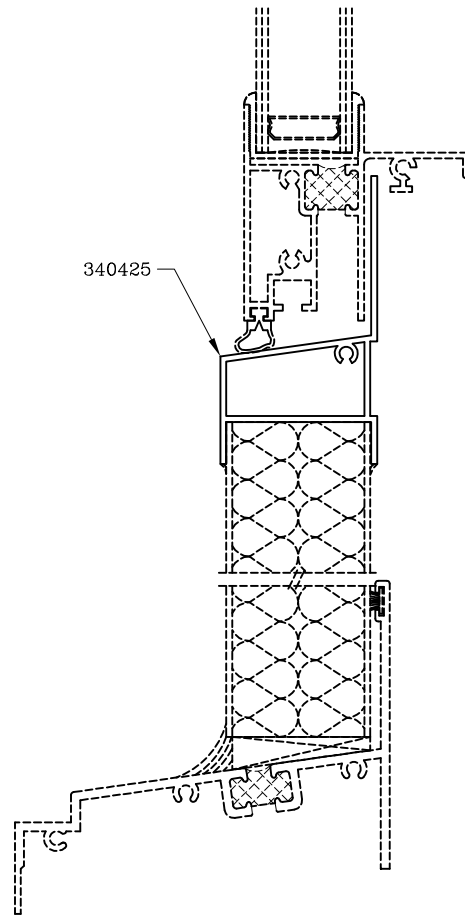
Series: Accessories Manufacturing Code: AC05E

Drawing 1/2 Scale – For Custom Size Drawing Contact Graham

Note: Sealant Not Shown On Details. Consult Technical Services At Factory For Sealing Procedures.



Panel Adapter
(2200 Series)



Panel Adapter
(3400 Series)