

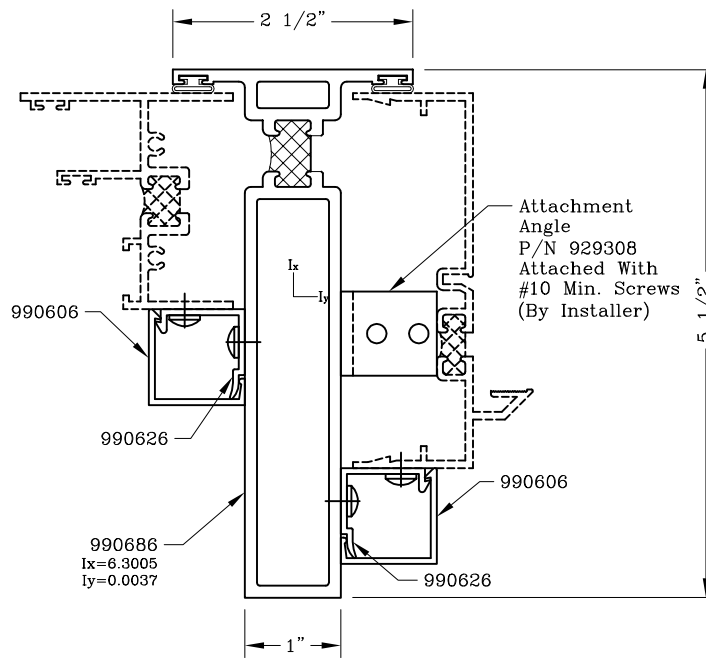
# Accessories – 4” Products



Series: Accessories Manufacturing Code: AC05H

Drawing 1/2 Scale – For Custom Size Drawing Contact Graham

Note: Sealant Not Shown On Details. Consult Technical Services At Factory For Sealing Procedures.



Transition Mull